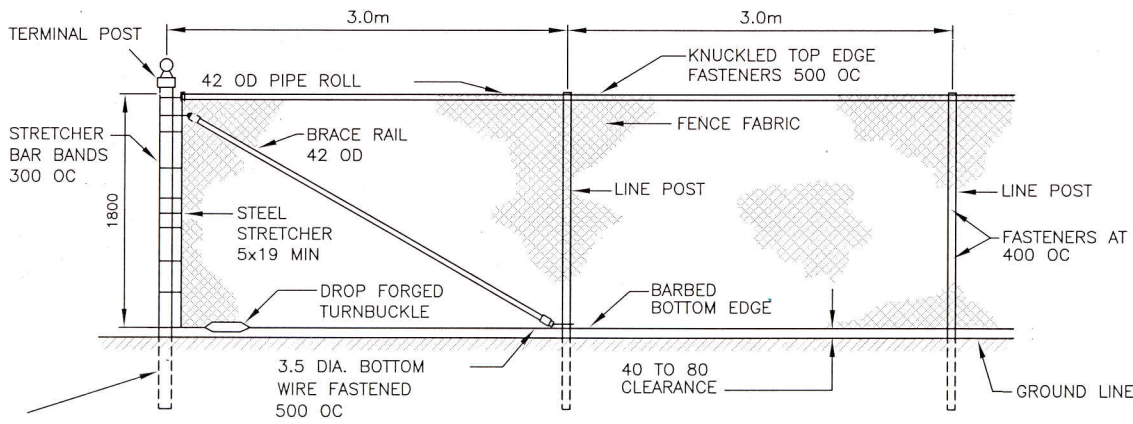


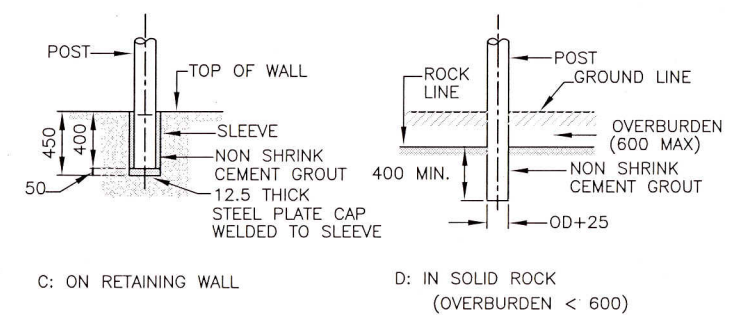
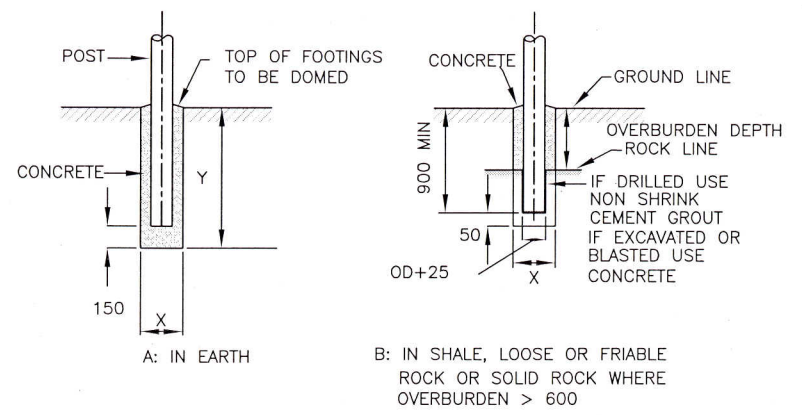
CORNER POST WITH BARBED WIRE ARM BARBED WIRE ARM

BARBED WIRE FOR CHAIN LINK FENCES



CHAIN LINK FENCE WITH TOP RAIL

- NOTES:
1. GATE LEAVES $\leq 1.8\text{m}$ WIDE REQUIRE HORIZONTAL BRACE ONLY, GATE LEAVES $> 1.8\text{m}$ WIDE REQUIRE BOTH HORIZONTAL AND VERTICAL BRACES.
 2. FOR FABRIC WIDTHS $> 1.8\text{m}$ THE POST LENGTH SHALL BE INCREASED BY THE AMOUNT OF THE DIFFERENCE.
 3. ALL DIMENSIONS ARE IN MILLIMETRES UNLESS OTHERWISE NOTED.



FOOTING DETAILS

POST DETAILS					
DESCRIPTION	OD (mm)	LENGTH ²		DIM	
		STANDARD (m)	RETAINING WALLS (m)	X (mm)	Y (mm)
LINE	60	2.7	2.0	250	900
END, CORNER, STRAINING AND GATE (5.5m MAX OPENING)	89	3.2	2.3	350	1400
GATES (10m MAX OPENING)	114	3.3	-	450	1500



No.	REVISION
1	HS # ADDED TO TITLE

Scale : N.T.S.
 Drawn by : M.LABRECHE
 Checked by : K.BODDY
 Date of Plan : AUG2009
 File No. : S-2009-024

Philip Cahoon
 Manager Highway Planning and Design

[Signature]
 Director Highway Engineering Services

[Signature]
 Executive Director Highway Engineering and Construction

FENCE FOR MISCELLANEOUS ROADWAY INSTALLATION HS-603