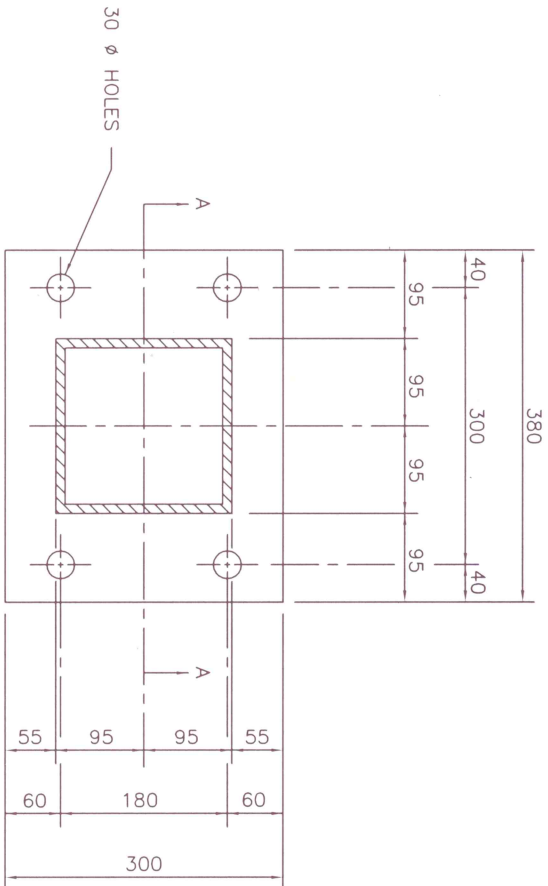


SECTION A-A



PLAN

- NOTES:
1. BASE PLATE IS HELD IN PLACE BY WEDGE ANCHORS (RED HEAD PHILLIPS ANCHORS WS-7860 OR EQUIVALENT) INSTALLED TO MANUFACTURER'S SPECIFICATIONS.
 2. ANCHORS ARE 22mm ϕ x 150mm LONG WITH 100mm EMBEDMENT.
 3. ALL DIMENSIONS ARE IN MILLIMETRES UNLESS OTHERWISE NOTED.

NOVA SCOTIA
 Transportation and Infrastructure Renewal

No.	1	HS #	ADDED TO TITLE
REVISION			

Scale : N.T.S.
 Drawn by : M.LABRECHE
 Checked by : J.RAE
 Date of Plan : AUG2009
 File No. : S-2009-078

Bill Chum
 Manager Highway Planning and Design
 Executive Director Highway Engineering and Construction
 Director Highway Engineering Services

GUARDRAIL ANCHOR BASE
 ON CONCRETE HS-525