

APPENDIX A

CDF Design Drawings

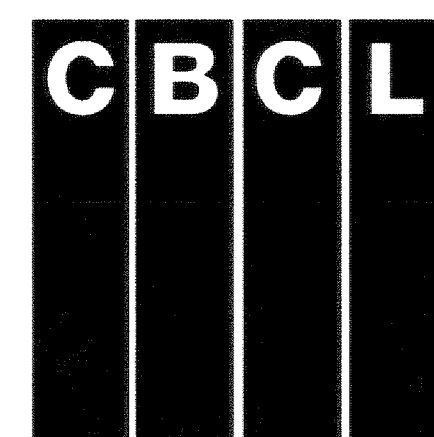
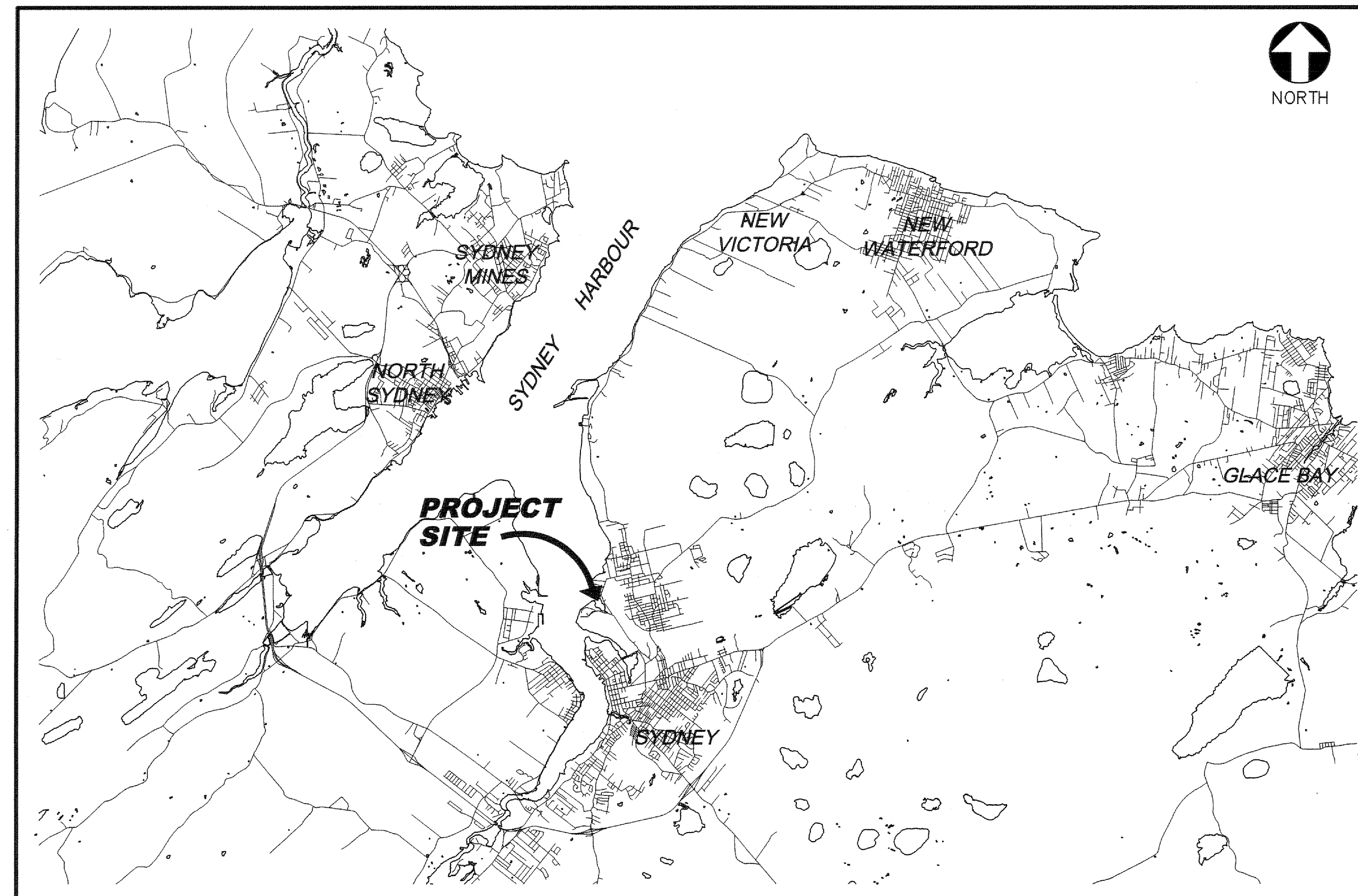
Contract 112400.00-A

PROVINCIAL ENERGY VENTURES

LIST OF DRAWINGS

<u>DRAWING No.</u>	<u>DRAWING TITLE</u>
-	COVER SHEET
C1	CIVIL GENERAL ARRANGEMENT
C2	CIVIL TYPICAL BERM SECTION AND DISCHARGE STRUCTURE
C3	CIVIL TYPICAL SECTIONS & PROFILES
C4	SECTIONS PROPOSED BERM SHEET 1 OF 6
C5	SECTIONS PROPOSED BERM SHEET 2 OF 6
C6	SECTIONS PROPOSED BERM SHEET 3 OF 6
C7	SECTIONS PROPOSED BERM SHEET 4 OF 6
C8	SECTIONS PROPOSED BERM SHEET 5 OF 6
C9	SECTIONS PROPOSED BERM SHEET 6 OF 6
C10	CIVIL GEOTEXTILE COVE LINER EAST SIDE OF COVE SECTIONS
C11	CIVIL GEOTEXTILE COVE LINER WEST SIDE OF COVE SECTIONS 1 OF 2
C12	CIVIL GEOTEXTILE COVE LINER WEST SIDE OF COVE SECTIONS 2 OF 2
C13	CIVIL GEOTEXTILE COVE LINER SOUTH SIDE OF COVE SECTIONS 1 OF 2
C14	CIVIL GEOTEXTILE COVE LINER SOUTH SIDE OF COVE SECTIONS 2 OF 2

BLAST FURNACE COVE CONTAINMENT BERM



CBCL LIMITED
Consulting Engineers

ISSUED
FOR
TENDER



SYDNEY HARBOUR

APPROXIMATE SILT CURTAIN LOCATION (IF REQUIRED)

CONCRETE TUNNEL TO BE FILLED WITH NATIVE CLAY (SEE DRAWING C3)

TOP OF BERM (SEE DRAWING C3)

CONTRACT LIMITS

LEASE BOUNDARY COORDINATE
NS114117.14
E4600337.87

DISCHARGE STRUCTURE (TWIN 1500mm CONCRETE PIPES C/W HEADWALLS, SEE DRAWING C3)

LEASE BOUNDARY

ABANDONED CONVEYOR

FOOTPRINT OF NEW SLAG BERM (SEE DRAWING C2)

ABANDONED CONVEYOR TO BE REMOVED

BLAST FURNACE COVE

BERM CENTRE LINE ALIGNMENT DATA

KEY PLAN BLAST FURNACE COVE
SCALE - 1:100000

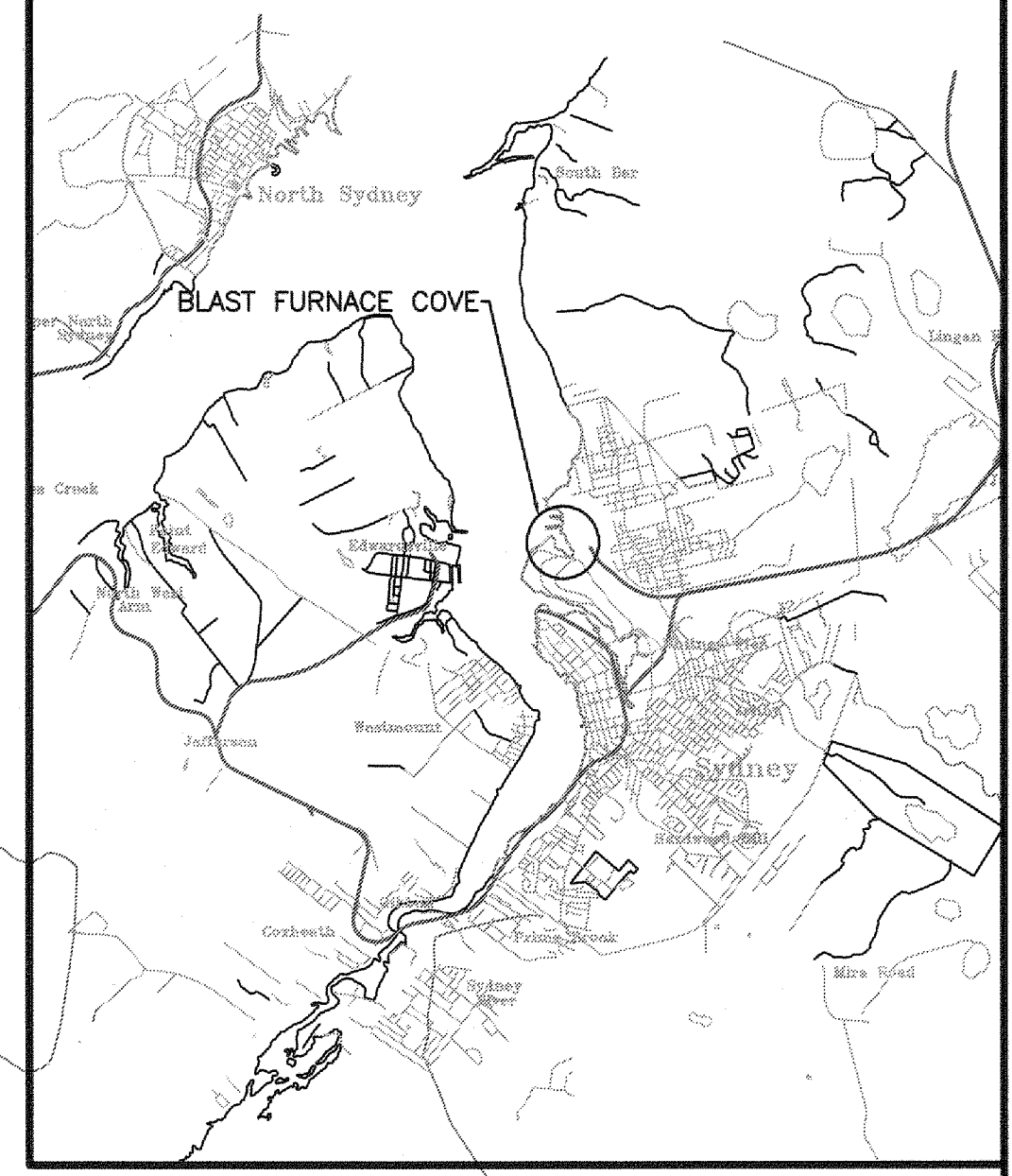
NS LANDS

PEV

Survey Station
(X marked on collar of Manhole)
N: 5113974.07
E: 4600394.83
EL. = 5.04m

GEOTEXTILE COVE LINER (SEE DRAWING C3)

- NOTES:
1. SURVEY CONTROL IS POINT "X" AS SHOWN ON THE DRAWINGS.
 2. ALL ELEVATIONS REFERENCE GEODETIC DATUM.
 3. ALL COORDINATES ARE ATS77, MTM ZONE 20.
 4. NO WORK WILL BE ALLOWED OUTSIDE THE CONTRACT LIMITS.



PRELIMINARY
NOT FOR CONSTRUCTION

Curve Point Data			
Description	Station	Northing	Easting
PC:	0+00.000	5114036.432	4600371.270
RP:	0+44.348	5114021.917	4600417.515
PT:	0+44.348	5114062.262	4600394.467

Circular Curve Data			
Parameter	Value	Parameter	Value
Delta:	54° 41' 08.820"	Type:	RIGHT
Radius:	46.465		
Length:	44.348	Tangent:	24.026
Mid-Ord:	5.191	External:	5.844
Chord:	42.684	Course:	N 32° 55' 10.4455" E

Tangent Data			
Description	PT Station	Northing	Easting
Start:	0+44.348	5114062.262	4600394.467
End:	2+18.414	5114157.043	4600540.466

Circular Curve Data			
Parameter	Value	Parameter	Value
Length:	174.066	Course:	N 57° 00' 31.3216" E

Curve Point Data			
Description	Station	Northing	Easting
PC:	2+18.414	5114157.043	4600540.466
RP:	2+44.094	5114131.881	4600556.801
PT:	2+44.094	5114160.711	4600565.097

Circular Curve Data			
Parameter	Value	Parameter	Value
Delta:	49° 02' 39.352"	Type:	RIGHT
Radius:	30.000		
Length:	25.680	Tangent:	13.686
Mid-Ord:	2.706	External:	2.974
Chord:	24.903	Course:	N 81° 31' 50.9891" E

Tangent Data			
Description	PT Station	Northing	Easting
Start:	2+44.094	5114160.711	4600565.097
End:	2+50.566	5114158.921	4600571.317

Circular Curve Data			
Parameter	Value	Parameter	Value
Length:	6.472	Course:	S 73° 56' 49.3433" E

No.	Description	Date	By
0	ISSUED FOR TENDER	MAR. 26/12	
A	ISSUED FOR REVIEW	FEB. 3/12	PGL

Revision or Issue

PEV PROVINCIAL ENERGY VENTURES, LTD.
SUITE 2300, ONE ENERGY PLACE, LATROBE, PENNSYLVANIA 15650

BLAST FURNACE COVE CONTAINMENT BERM

CIVIL

GENERAL ARRANGEMENT

CBCL **CBCL LIMITED**
Consulting Engineers

Scale 1:500

Date	Drawn
MAR. 2012	RHM

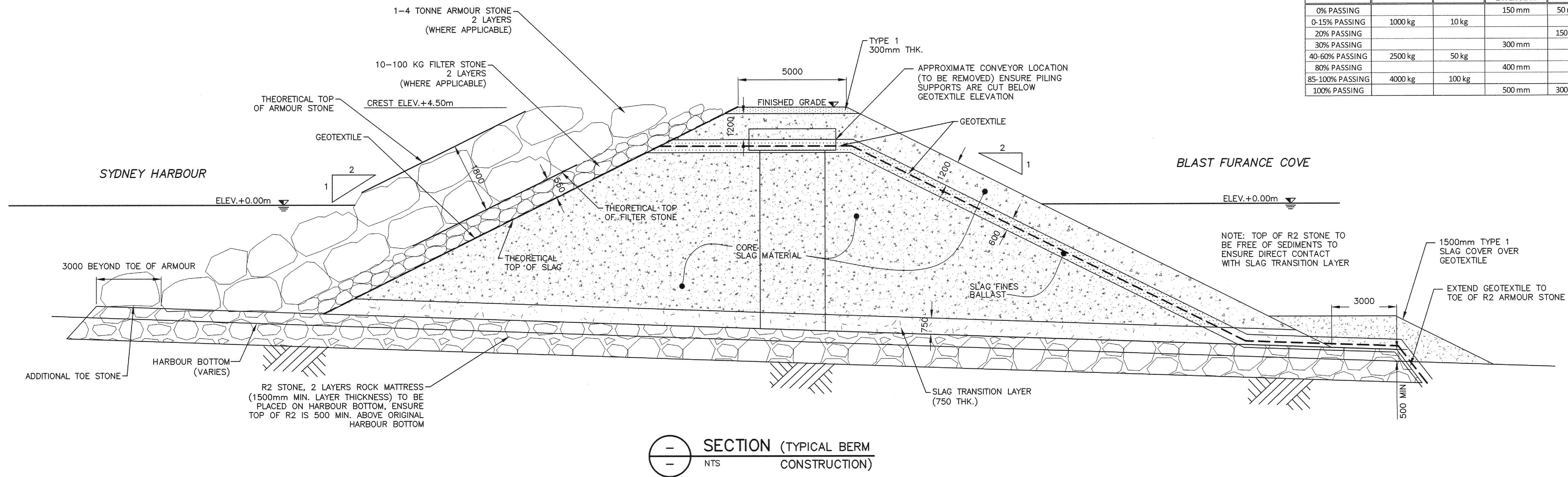
Designed	Checked	Approved
RHM	RJM	PGL

Contract No	Revision
112400.00-A	0

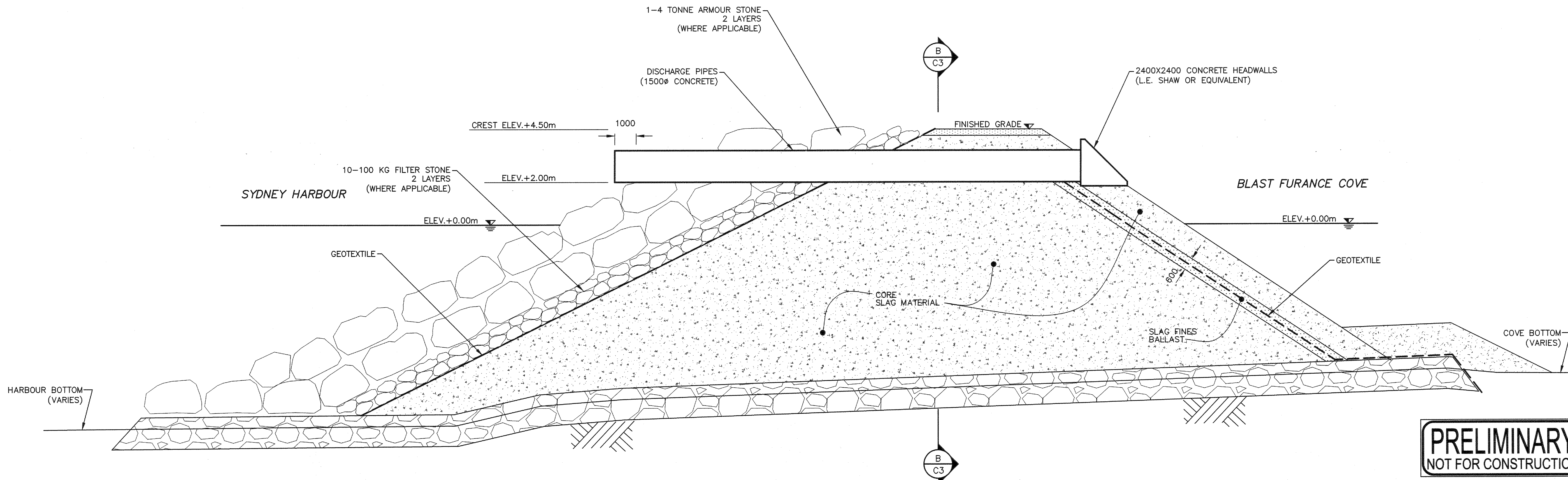
Drawing No **C1**

DRAWING NAME: P:\VAP\9192\11240000 PEV PROJECT\CONTAINMENT BERM\112400_00_C1_GENERAL.DWG LAYOUT NAME: C1_LAYOUT.DWG NUMBER: 00000000

GRADATION	ARMOUR STONE	FILTER STONE	TRANSITION LAYER SLAG	CORE SLAG	SLAG FINES
0% PASSING			150 mm	50 mm	
0-15% PASSING	1000 kg	10 kg			
20% PASSING				150 mm	
30% PASSING			300 mm		
40-60% PASSING	2500 kg	50 kg			
80% PASSING			400 mm		
85-100% PASSING	4000 kg	100 kg		300 mm	50 mm
100% PASSING			500 mm		



SECTION (TYPICAL BERM CONSTRUCTION)
NTS



SECTION DISCHARGE STRUCTURE
NTS

PRELIMINARY
NOT FOR CONSTRUCTION

No.	Description	Date	By
1	ISSUED WITH ADDENDUM No. 1	APR. 17/12	
0	ISSUED FOR TENDER	MAR. 26/12	PGL
A	ISSUED FOR REVIEW	FEB. 3/12	PGL

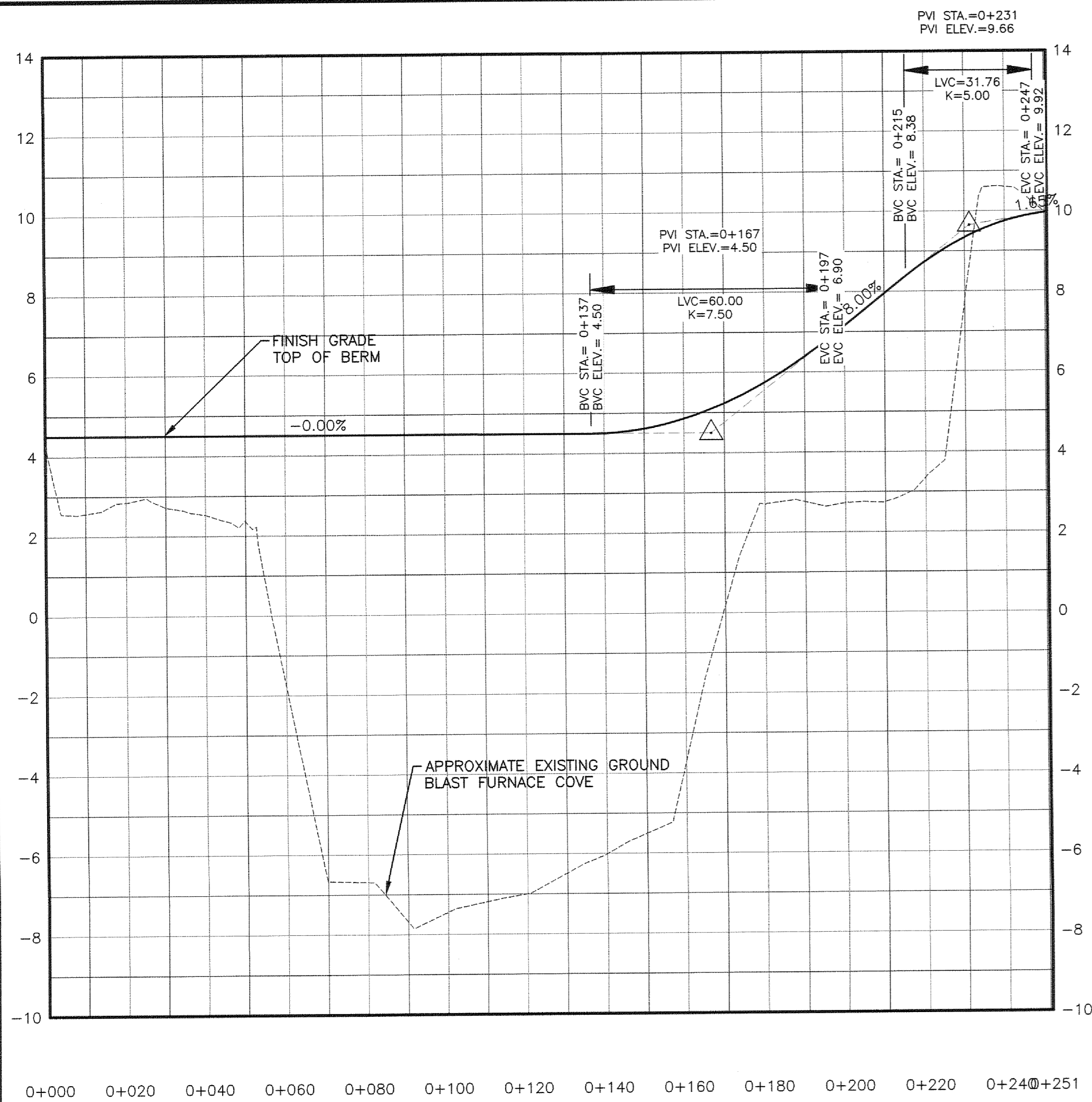
Revision or Issue
REV PROVINCIAL ENERGY VENTURES, LTD.
 SUITE 2500, ONE ENERGY PLACE, LATROBE, PENNSYLVANIA 15600
BLAST FURNACE COVE CONTAINMENT BERM
 CIVIL
TYPICAL BERM SECTION AND DISCHARGE STRUCTURE

CBCL CBCL LIMITED
 Consulting Engineers

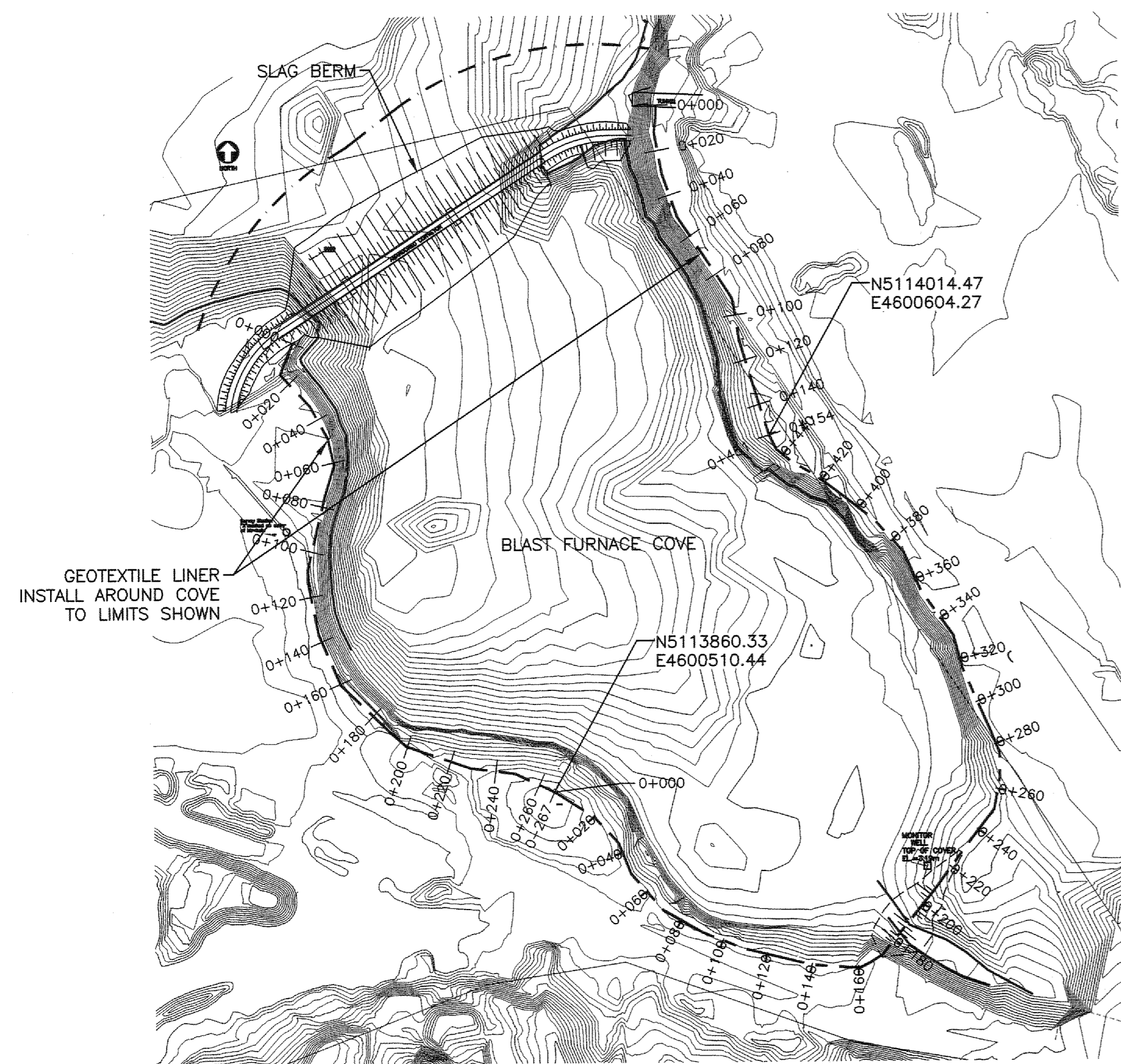
Scale	Date	Drawn
AS NOTED	MAR. 2012	RHM
	Designed	Checked
	RHM	RJM
	Approved	Approved
	P. G. LANDRY	PGL
	Contract No. 112400.00-A	Revision 1
	Drawing No.	

C2

DRAWING NAME: P:\MACHERY\124000.PPT\PROJECT CONTAINMENT BERM\12400_01_DISCHARGE STRUCTURE LAYOUT.DWG LAYOUT NAME: C2 ELEVATION November 10, 2011 3:14 PM CAD OPERATOR: PAULC



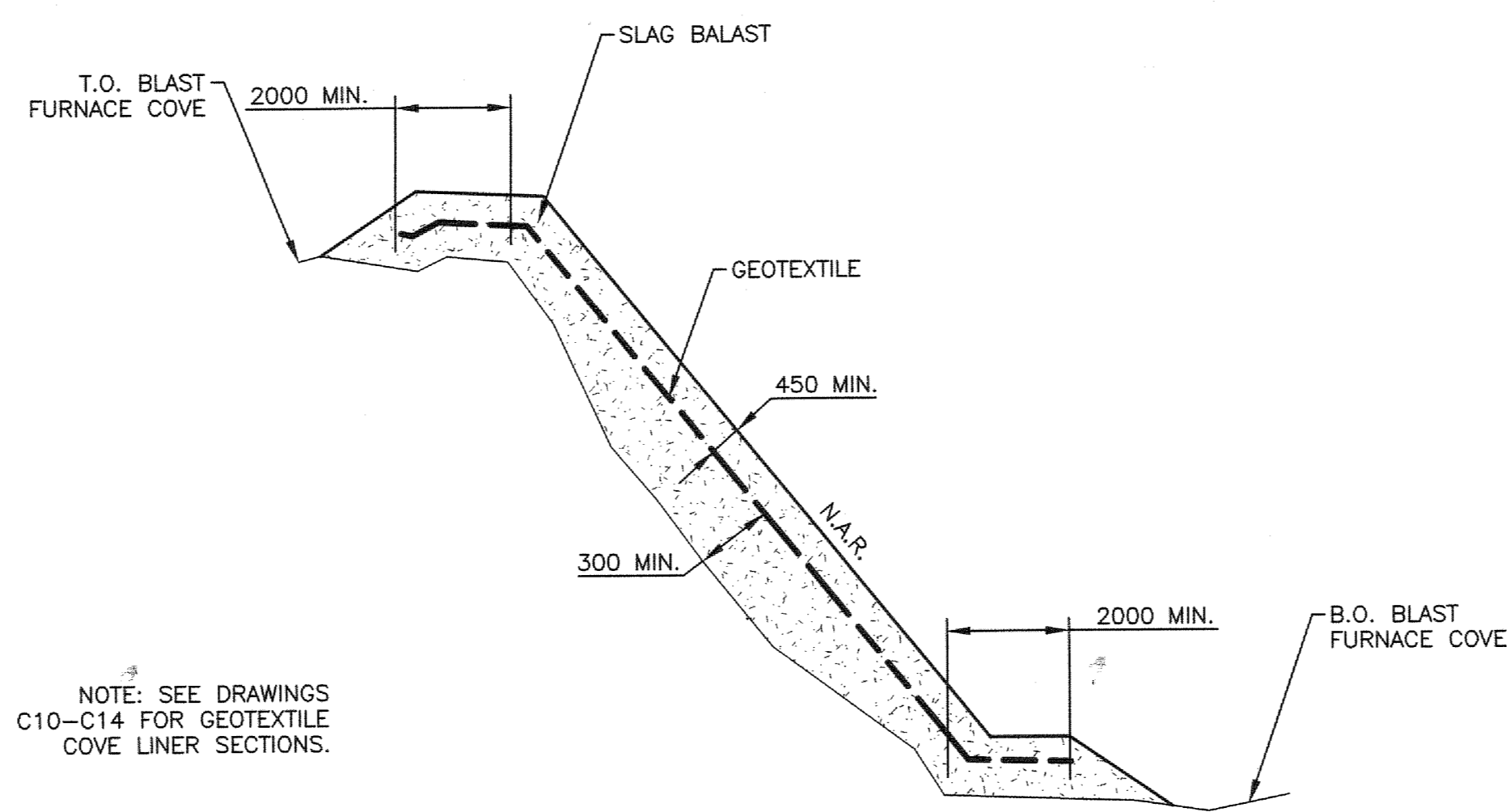
PROFILE (TOP OF BERM)
H 1:1000, V 1:100



PLAN GEOTEXTILE COVE LINER
1:2000

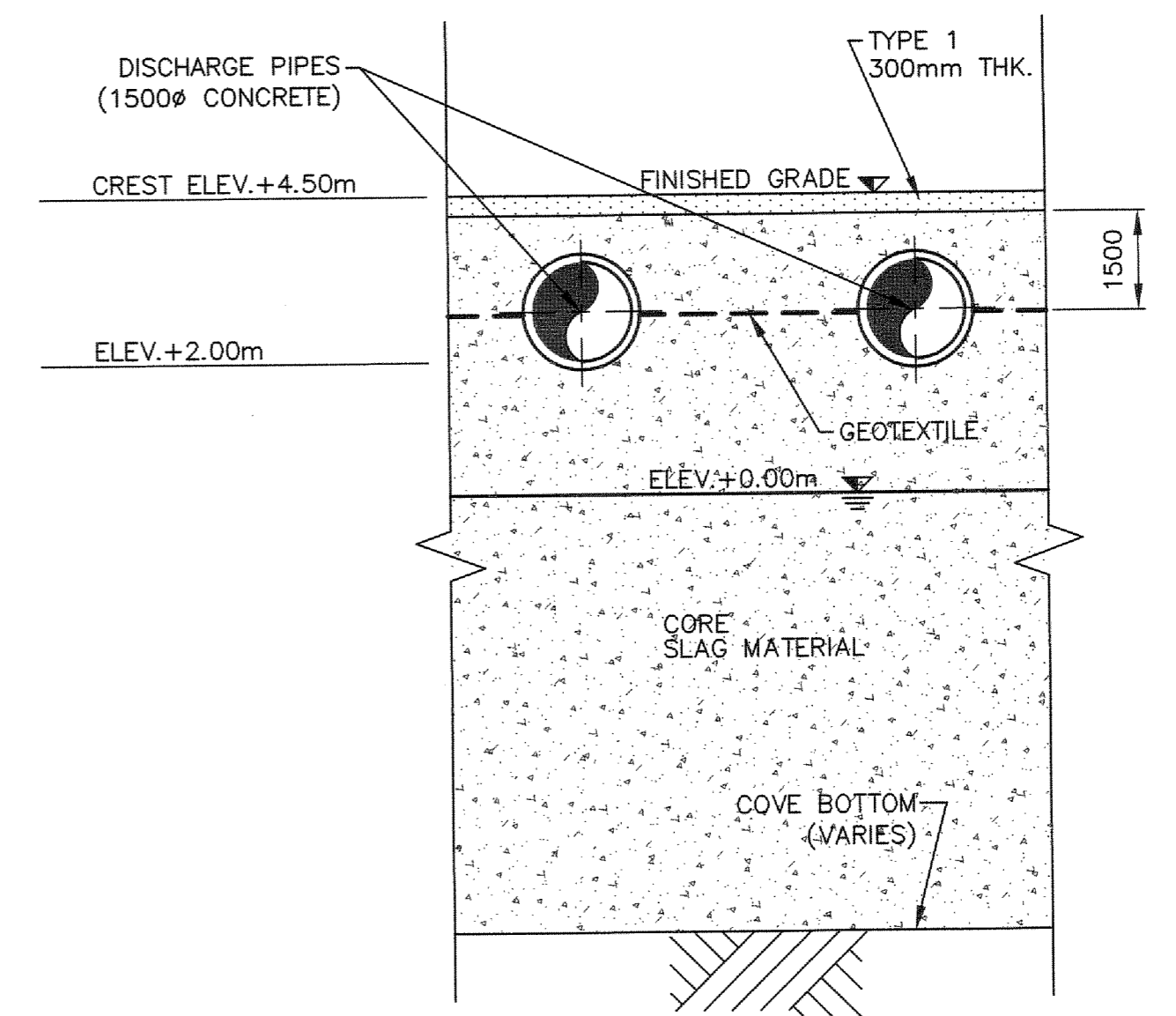


PLAN SLAG SOURCE LOCATION
1:5000

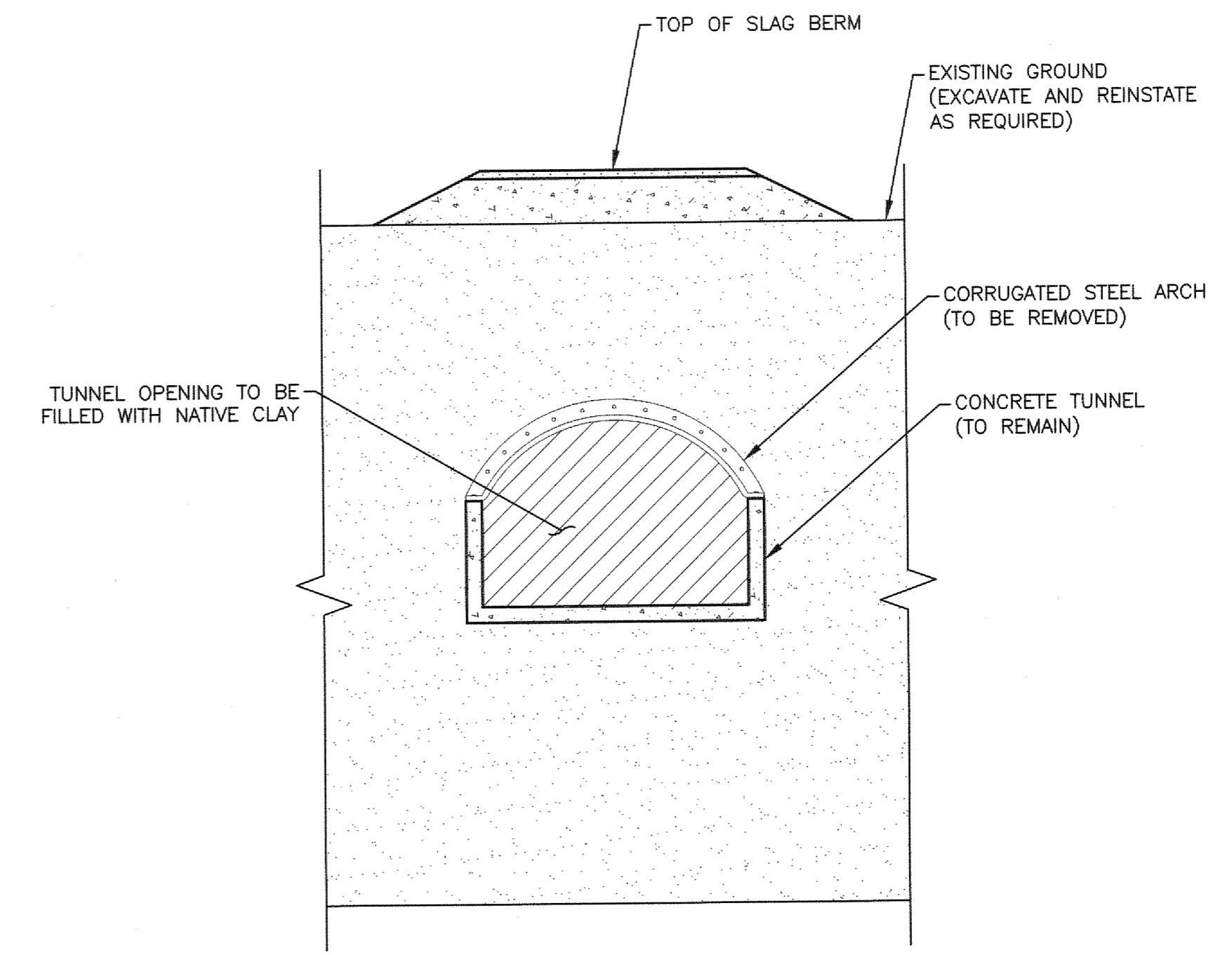


NOTE: SEE DRAWINGS C10-C14 FOR GEOTEXTILE COVE LINER SECTIONS.

DETAIL GEOTEXTILE COVE LINER (TYP.)
NTS



SECTION DISCHARGE STRUCTURE
1:100



SECTION CONVEYOR TUNNEL
NTS

PRELIMINARY
NOT FOR CONSTRUCTION

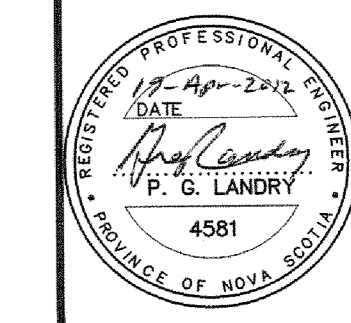
1	ISSUED WITH ADDENDUM No. 1	APR. 17/12	
0	ISSUED FOR TENDER	MAR. 26/12	PGL
A	ISSUED FOR REVIEW	FEB. 3/12	PGL
No.	Description	Date	By

Revision or Issue
PEV PROVINCIAL ENERGY VENTURES, LTD.
SUITE 2500, ONE ENERGY PLACE, LATROBE, PENNSYLVANIA 15500
BLAST FURNACE COVE CONTAINMENT BERM
CIVIL

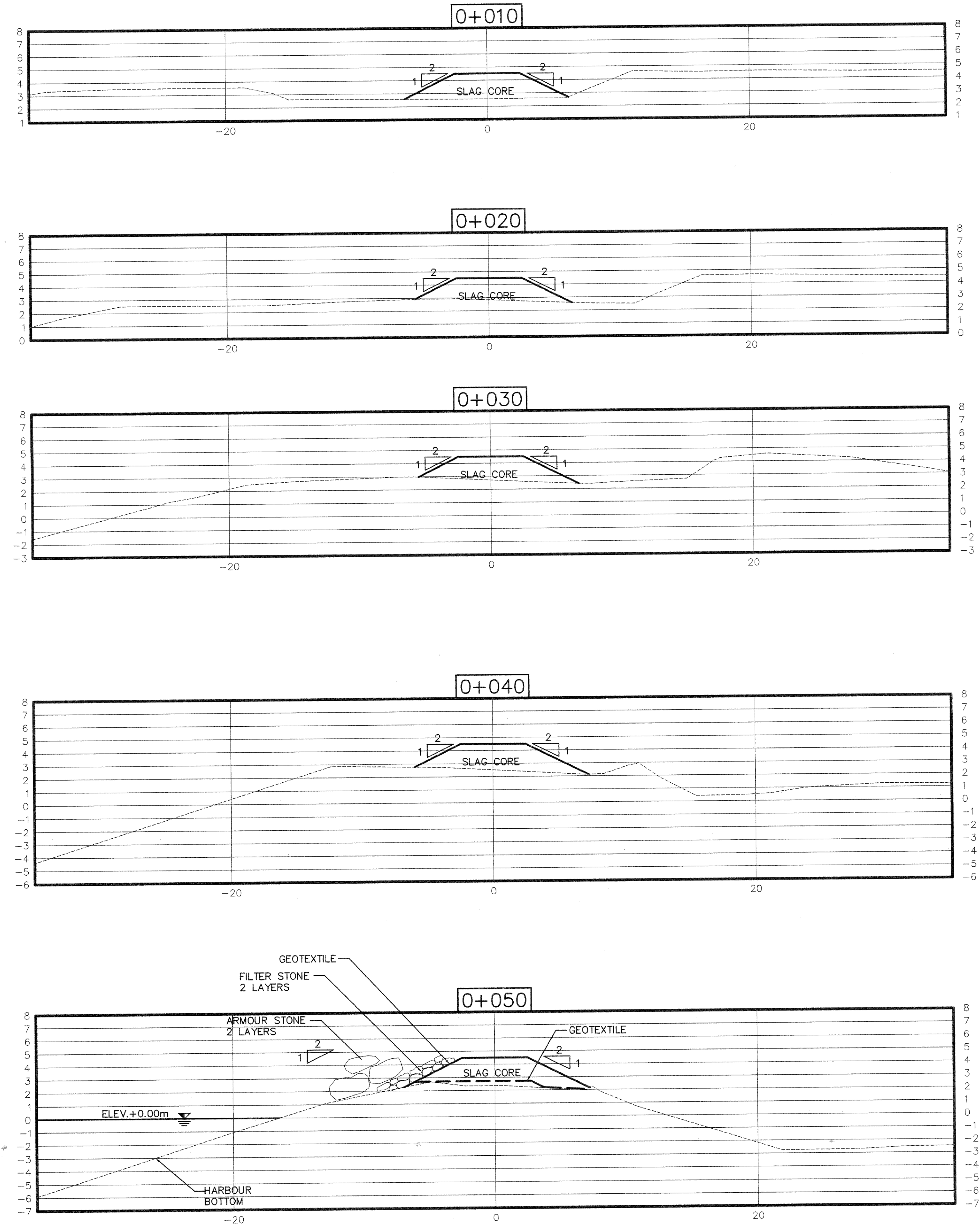
TYPICAL SECTIONS & PROFILES

CBCL LIMITED
Consulting Engineers

Scale	AS NOTED	Date	MAR. 2012	Drawn	RHM
Designed	RHM	Checked	RJM	Approved	PGL
Contract No.	112400.00-A	Revision	1		
Drawing No.					



C3



PRELIMINARY
NOT FOR CONSTRUCTION

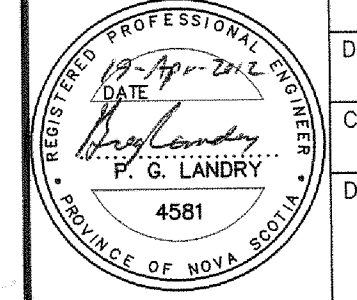
No.	Description	Date	By
1	ISSUED WITH ADDENDUM No. 1	APR. 17/12	PGL
0	ISSUED FOR TENDER	MAR. 26/12	PGL
A	ISSUED FOR REVIEW	FEB. 3/12	PGL

Revision or Issue
PEV PROVINCIAL ENERGY VENTURES, LTD.
 SUITE 2500, ONE ENERGY PLACE, LATROBE, PENNSYLVANIA 15650
BLAST FURNACE COVE CONTAINMENT BERM
 SECTIONS
PROPOSED BERM SHEET 1 OF 6

CBCL **CBCL LIMITED**
 Consulting Engineers

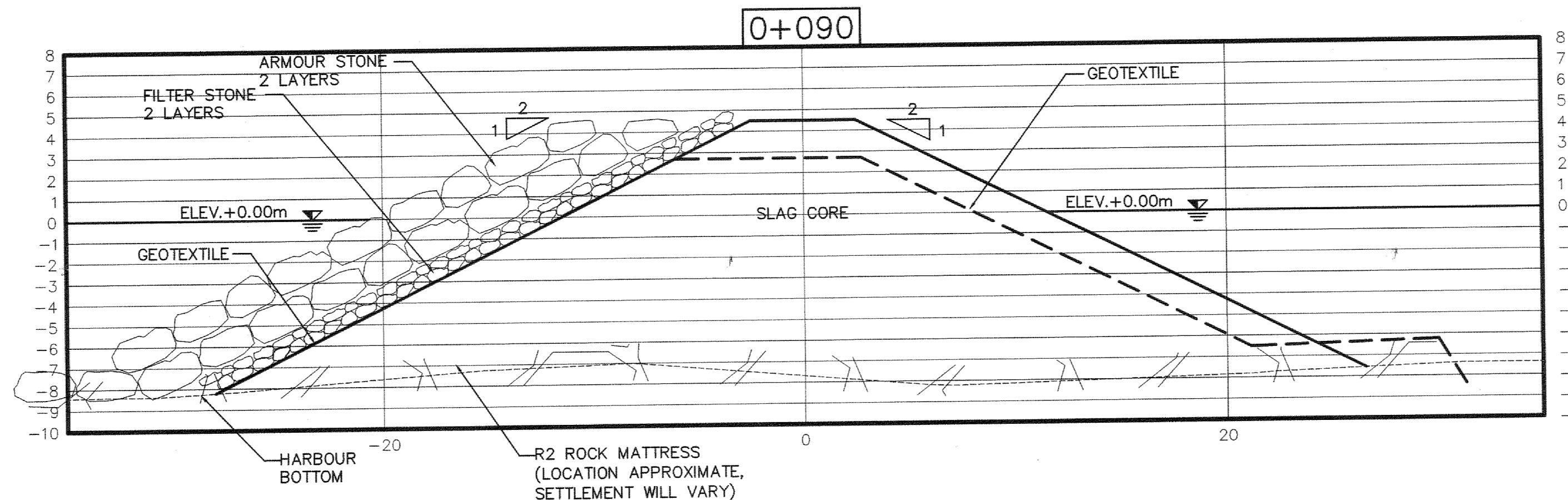
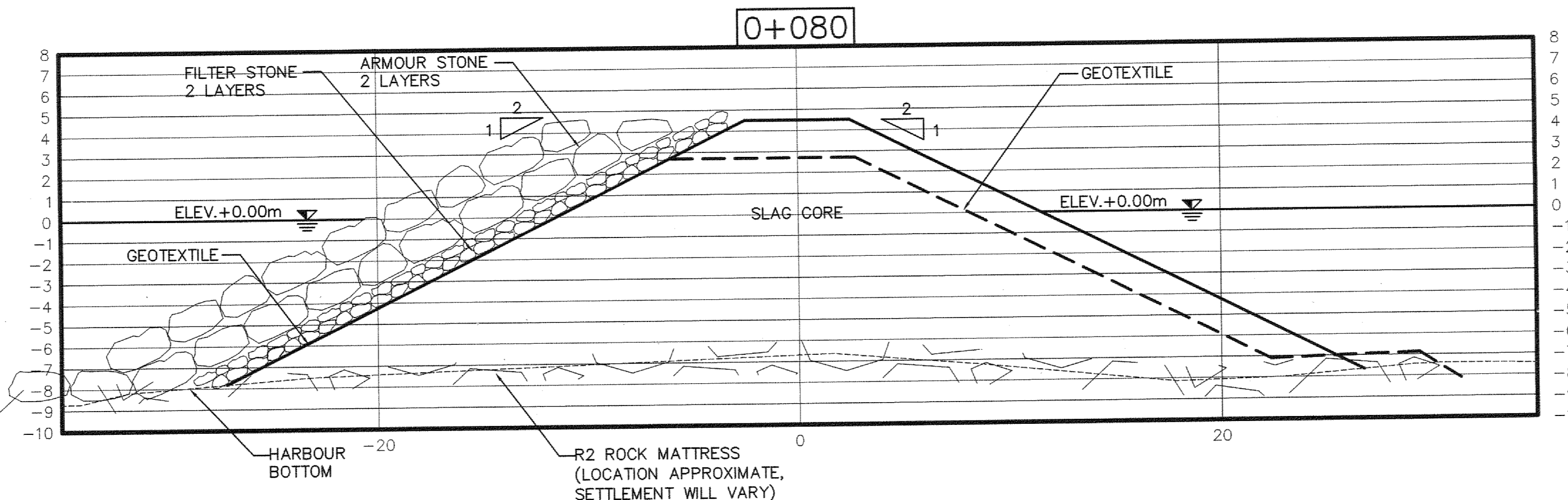
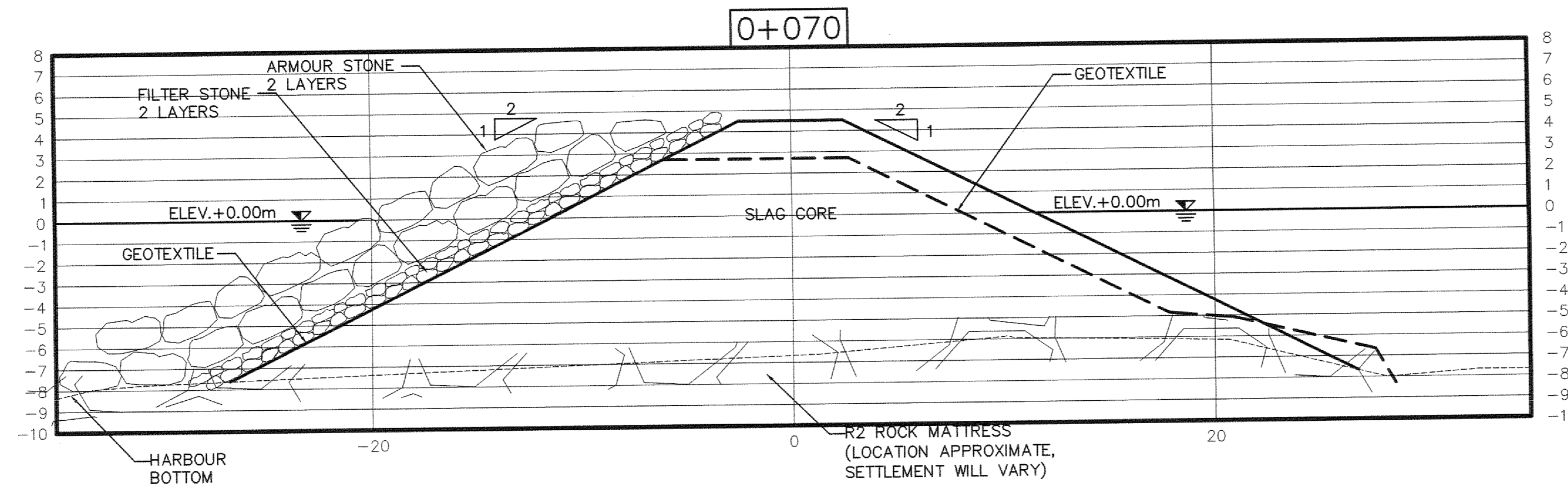
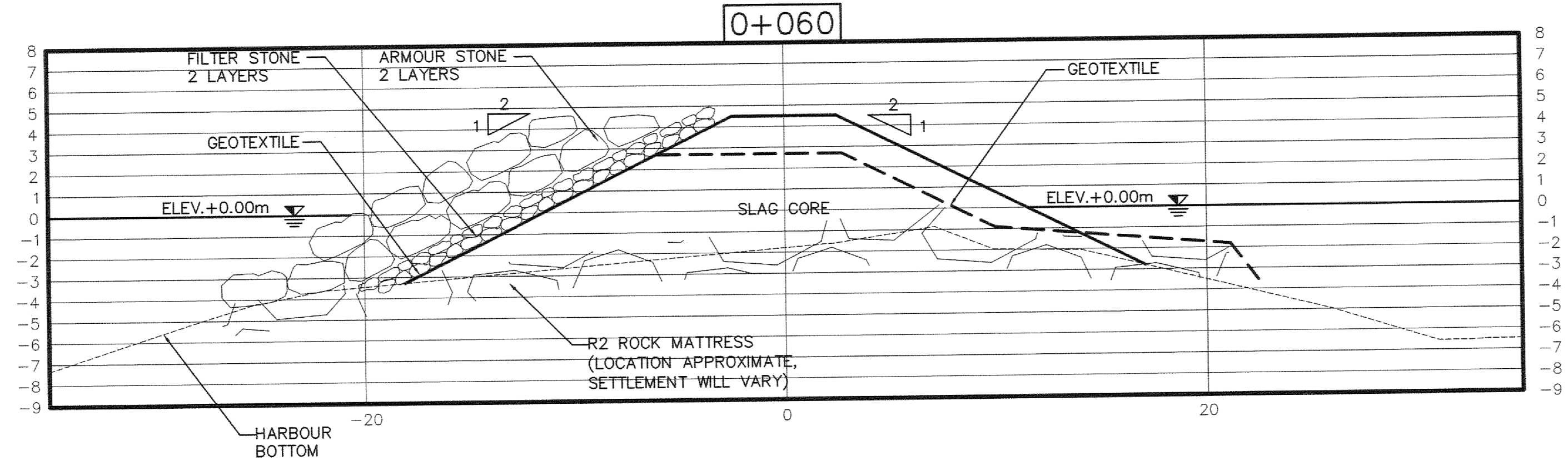
Scale
 1:200

Designed	Checked	Approved
RHM	RJM	PGL
Contract No 112400.00-A		Revision 1
Drawing No 4581		



C4

DRAWING NAME: P:\PROJECTS\112400.00\PEV_PROJECT\CONTAINMENT_BERM\112400_P01_SAPPHRO.DWG LATROBE.DWG SECTIONS BLM DATE: November 19, 2011 11:14 AM CAL: GORDON/B/E PAUL C



PRELIMINARY
NOT FOR CONSTRUCTION

No.	Description	Date	By
1	ISSUED WITH ADDENDUM No. 1	APR. 17/12	PGL
0	ISSUED FOR TENDER	MAR. 26/12	PGL
A	ISSUED FOR REVIEW	FEB. 3/12	PGL

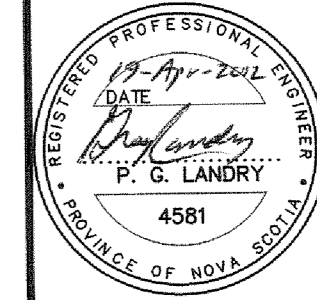
Revision or Issue
REV PROVINCIAL
 ENERGY VENTURES, LTD.
 SUITE 2500, ONE ENERGY PLACE, LATROBE, PENNSYLVANIA 15690
BLAST FURNACE COVE
CONTAINMENT BERM
 SECTIONS
PROPOSED BERM
SHEET 2 OF 6

CBCL **CBCL LIMITED**
 Consulting Engineers

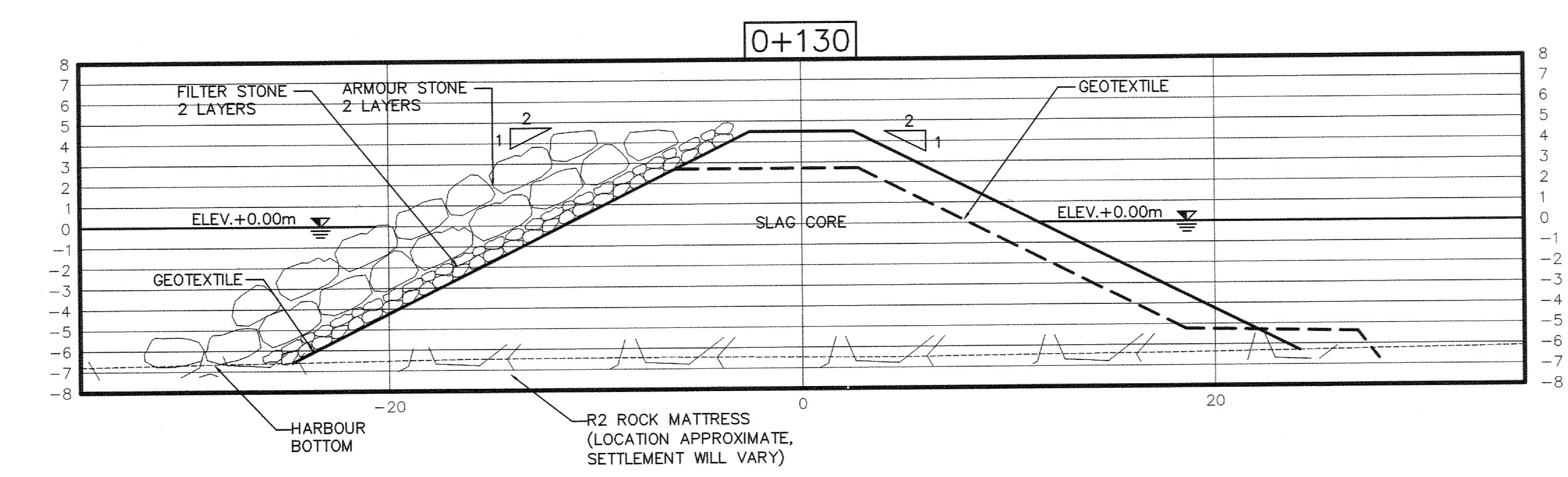
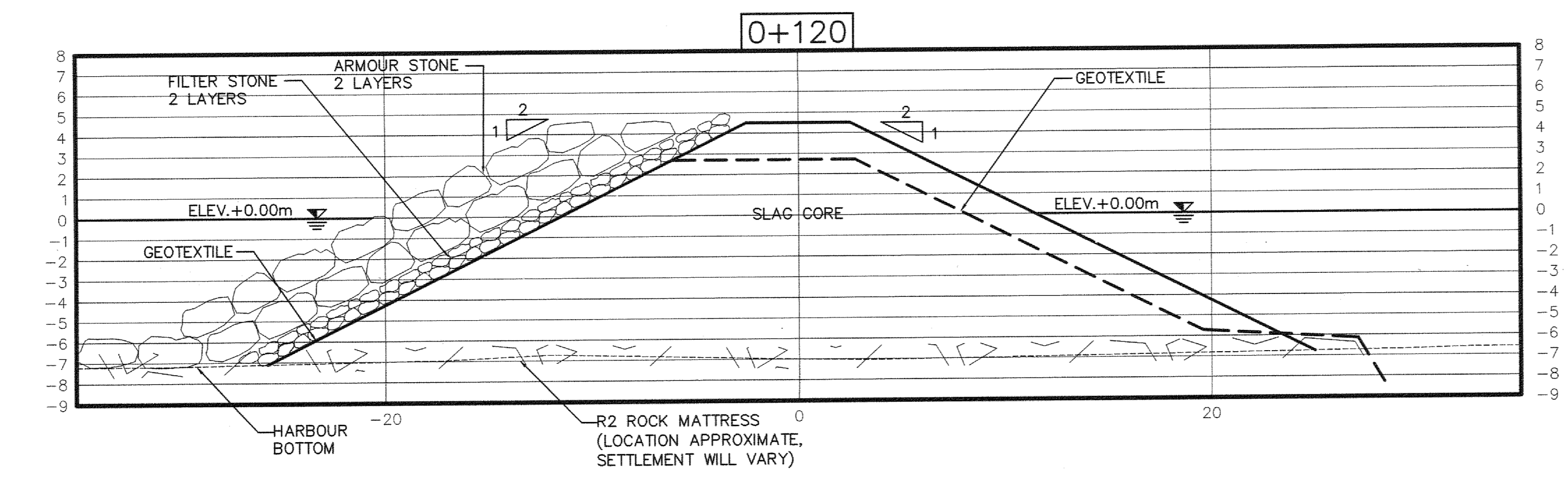
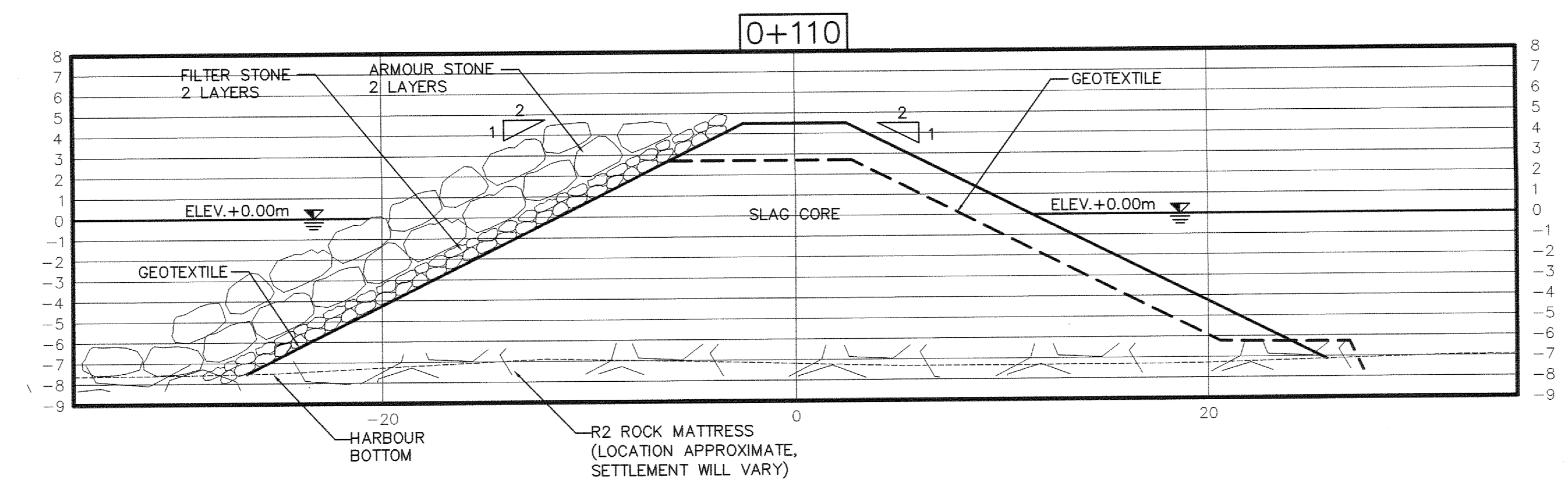
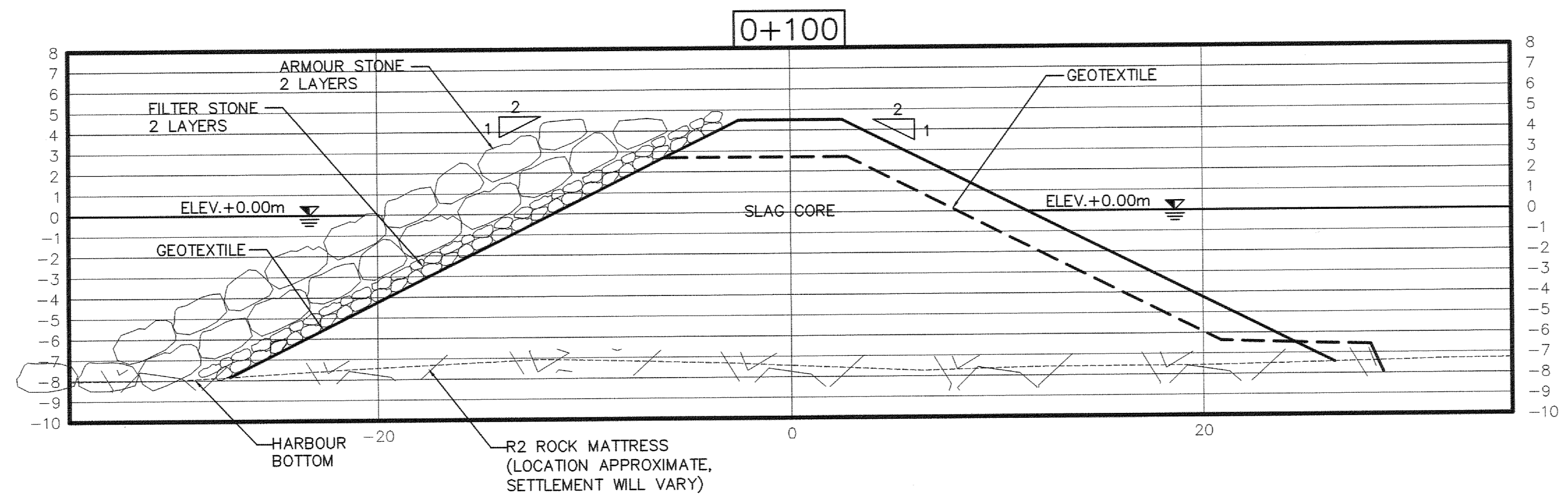
Scale 1:200

Date	MAR. 2012	Drawn	RHM
Designed	RHM	Checked	Approved
		RJM	PGL
Contract No	112400.00-A	Revision	1
Drawing No			

C5



DRAWING NAME: P:\PROJECTS\112400 CBCL\PROJECT\CONTAINMENT BERM\112400_01_BERM09.DWG LAYOUT NAME: SECTIONS ELEVATIONS November 01, 2011 - 03:14 PM CAD OPERATOR: PAULC



PRELIMINARY
NOT FOR CONSTRUCTION

1	ISSUED WITH ADDENDUM No. 1	APR. 17/12	
0	ISSUED FOR TENDER	MAR. 26/12	PGL
A	ISSUED FOR REVIEW	FEB. 3/12	PGL
No.	Description	Date	By

Revision or Issue

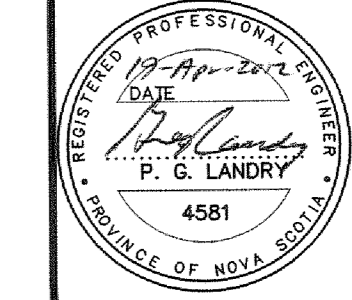
PEV PROVINCIAL
ENERGY VENTURES, LTD.
SUITE 2500, ONE ENERGY PLACE, LATROBE, PENNSYLVANIA 15660
BLAST FURNACE COVE
CONTAINMENT BERM
SECTIONS

PROPOSED BERM
SHEET 3 OF 6

CBCL **CBCL LIMITED**
Consulting Engineers

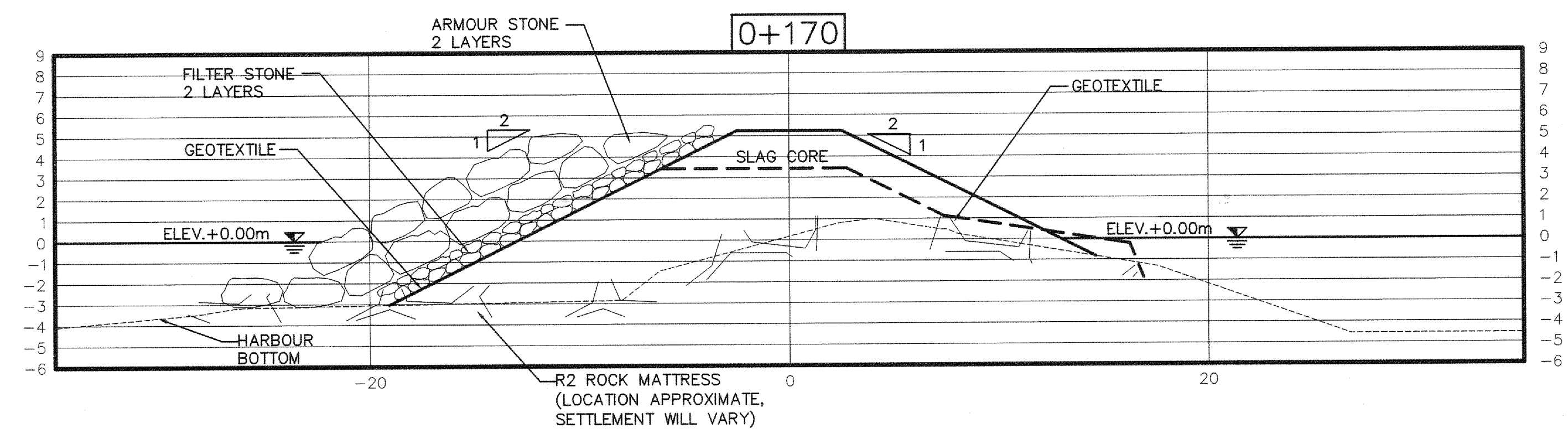
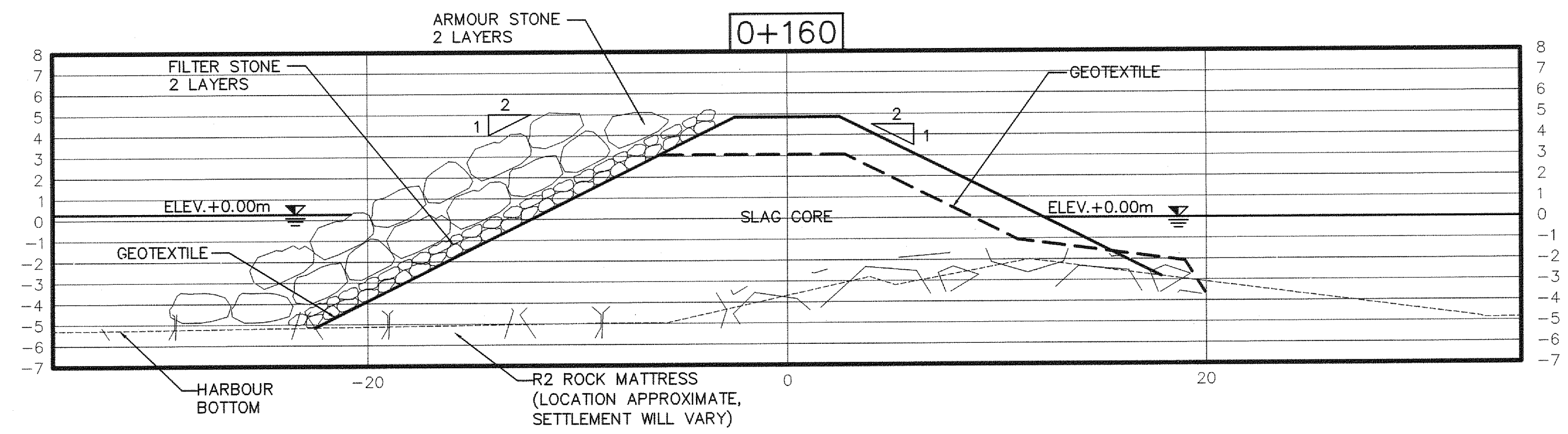
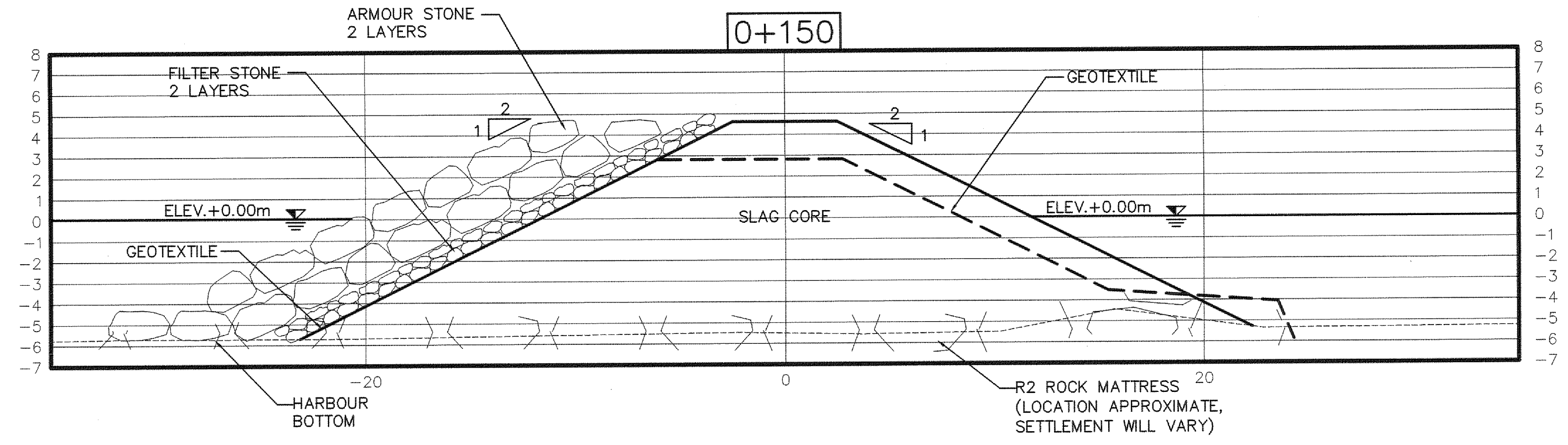
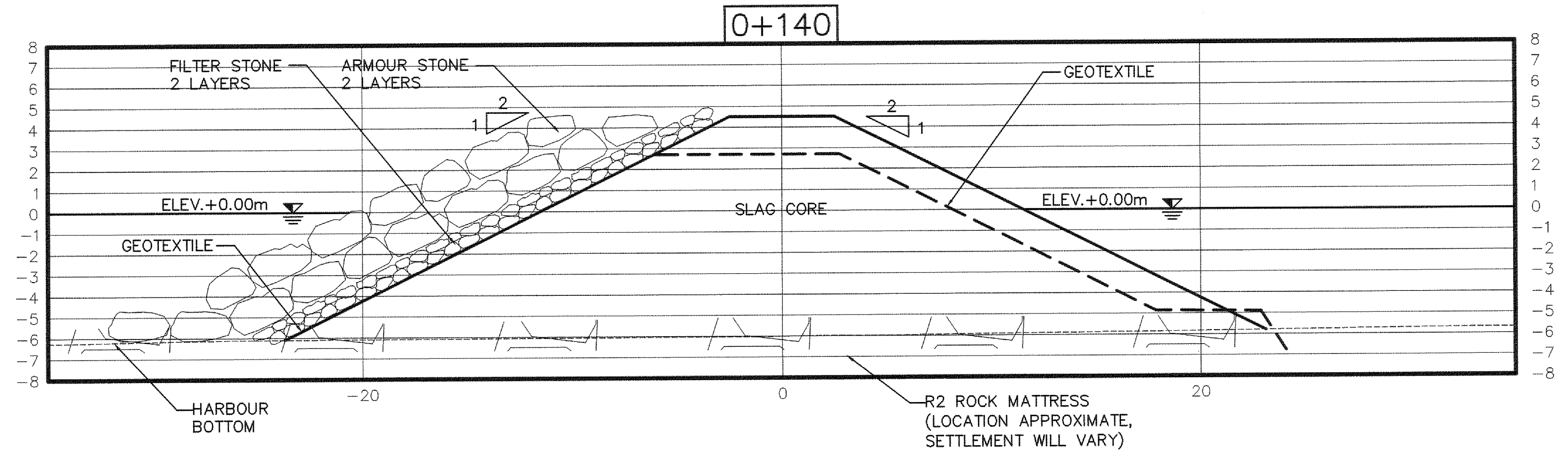
Scale
1:200

Date	MAR. 2012	Drawn	RHM
Designed	RHM	Checked	Approved
DATE	17/03/2012	By	PGL
Contract No	112400.00-A	Revision	1
Drawing No	4581		



C6

DRAWING NAME: P:\MACH2\112400.00 PEV PROJECT\CONTAINMENT BERM\112400 C1_3APR12.DWG LAYOUTNAME: SECTIONS E101.DWG November 19, 2011 5:14 PM CALDERA/BEB PAULC



PRELIMINARY
NOT FOR CONSTRUCTION

1	ISSUED WITH ADDENDUM No. 1	APR. 17/12	PGL
0	ISSUED FOR TENDER	MAR. 26/12	PGL
A	ISSUED FOR REVIEW	FEB. 3/12	PGL

Revision or Issue

PEV PROVINCIAL
ENERGY VENTURES, LTD.
SUITE 2500, ONE ENERGY PLACE, LATROBE, PENNSYLVANIA 15650

**BLAST FURNACE COVE
CONTAINMENT BERM**

SECTIONS

**PROPOSED BERM
SHEET 4 OF 6**

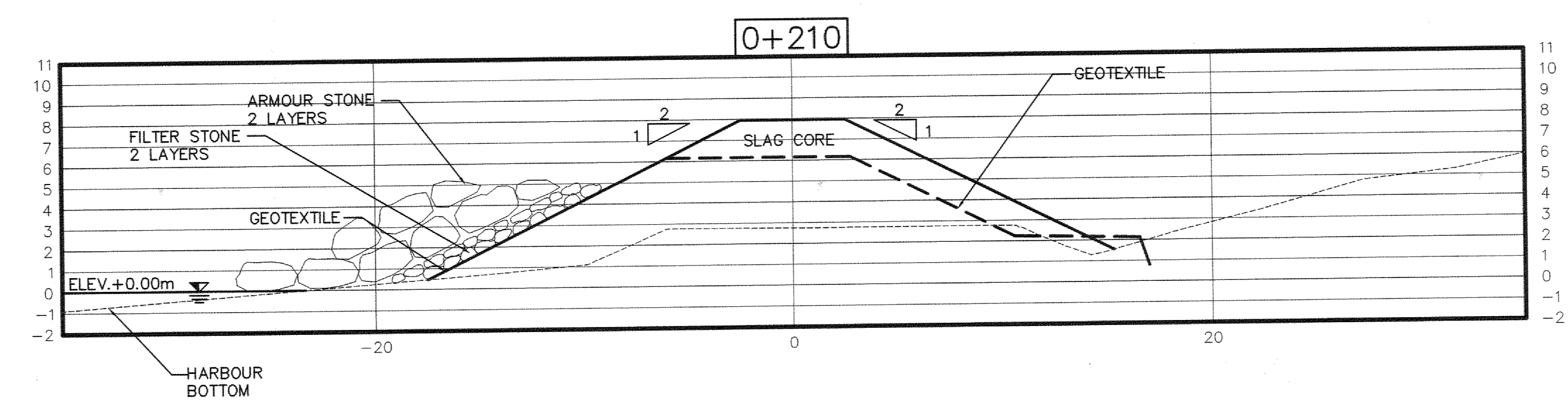
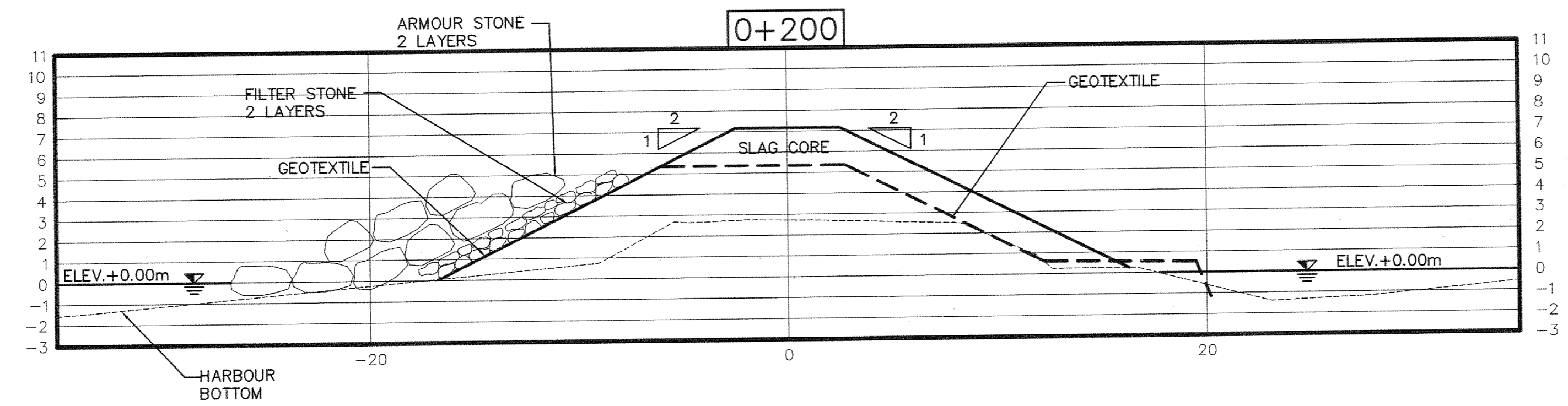
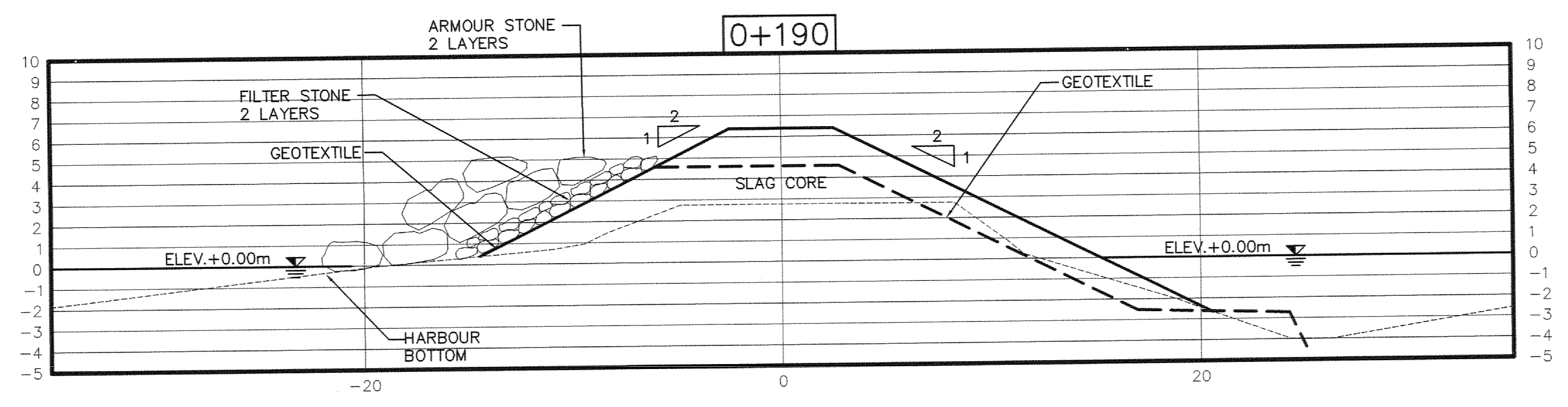
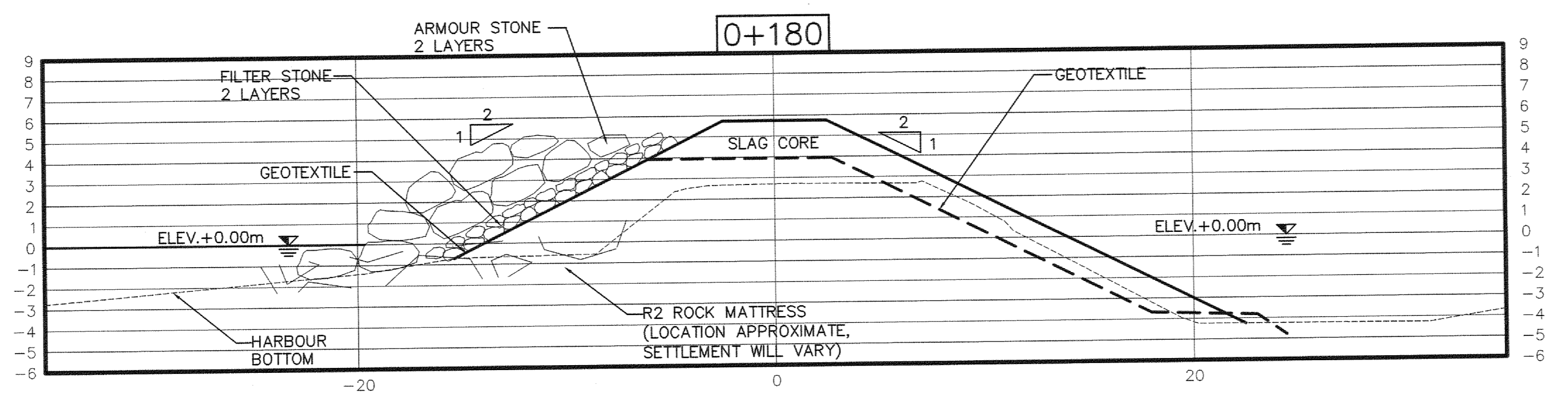
CBCL **CBCL LIMITED**
Consulting Engineers

Scale
1:200

Date	MAR. 2012	Drawn	RHM
Designed	RHM	Checked	PGL
Contract No	112400.00-A	Revision	1
Drawing No			

C7

DRAWING NAME: SECTIONS BLAST FURNACE COVE CONTAINMENT BERM; DATE: 2011-05-14 PM; CAD: BERRA/BOB; PASCAL



PRELIMINARY
NOT FOR CONSTRUCTION

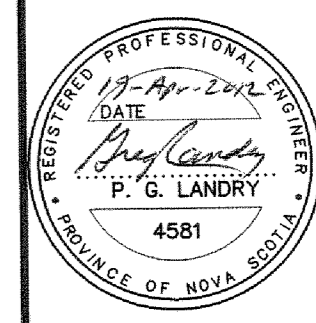
No.	Description	Date	By
1	ISSUED WITH ADDENDUM No. 1	APR. 17/12	
0	ISSUED FOR TENDER	MAR. 26/12	PGL
A	ISSUED FOR REVIEW	FEB. 3/12	PGL

Revision or Issue
PEV PROVINCIAL ENERGY VENTURES, LTD.
 SUITE 2500, ONE ENERGY PLACE, LATROBE, PENNSYLVANIA 15650
BLAST FURNACE COVE CONTAINMENT BERM SECTIONS
PROPOSED BERM SHEET 5 OF 6

CBCL **CBCL LIMITED**
 Consulting Engineers

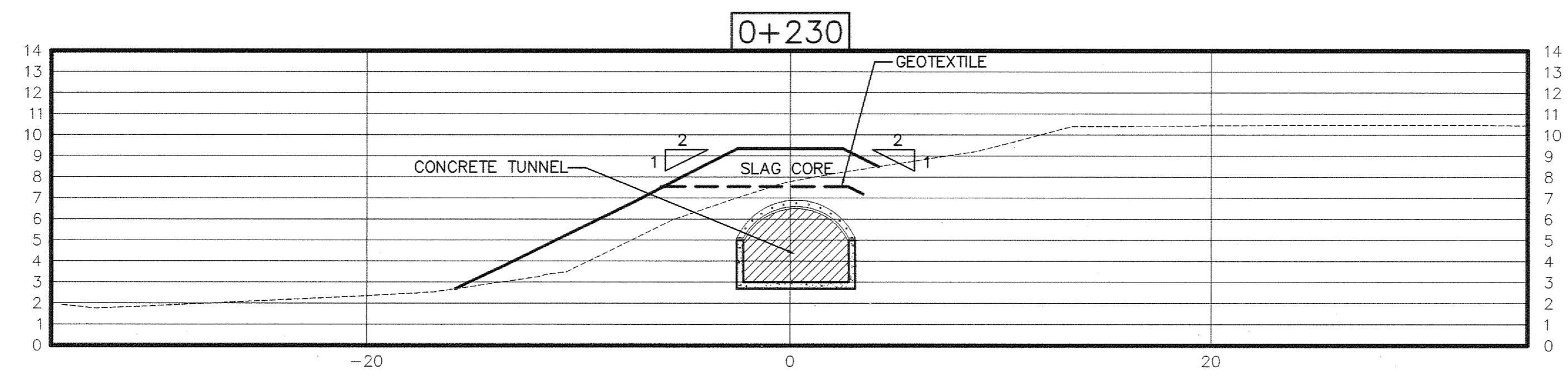
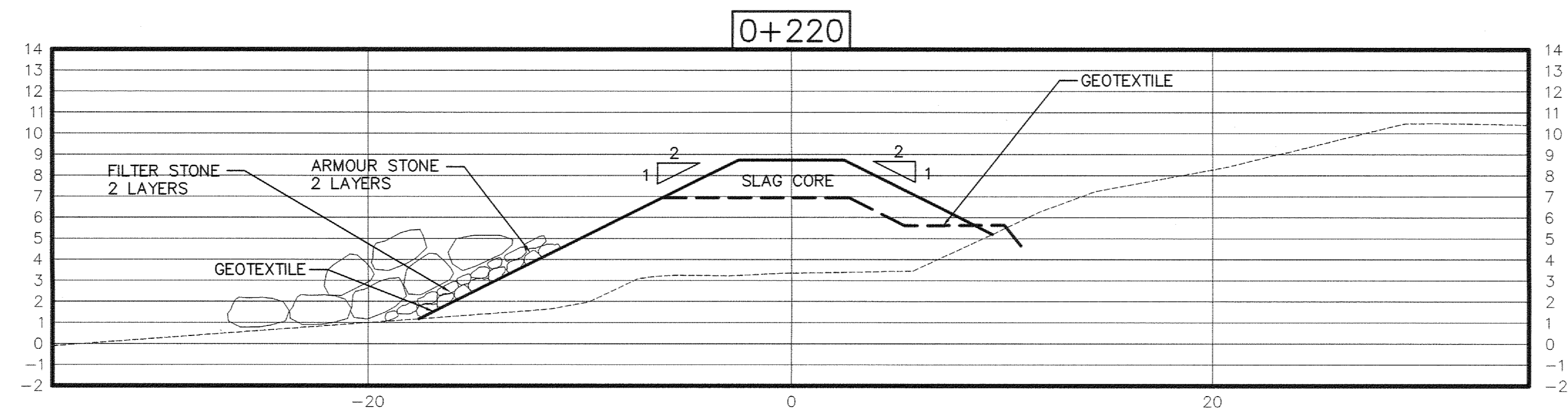
Scale 1:200

DATE	DATE	DATE	DATE
17-Apr-2012	MAR. 2012		
Designed RHM	Checked RJM	Approved PGL	Drawn RHM
Contract No 112400.00-A		Revision 1	
Drawing No 4581		Drawing No	



C8

DRAWING NAME: P:\MACH2\112400.00 PEV PROJECT\CONTAINMENT BERM\12400 CT_5APR12.DWG LAYOUT NAME: SECTIONS ELOT DATE November 19, 2011 5:14 PM CAL:CBCL\JOB - PAUC



PRELIMINARY
NOT FOR CONSTRUCTION

1	ISSUED WITH ADDENDUM No. 1	APR. 17/12	PGL
0	ISSUED FOR TENDER	MAR. 26/12	PGL
A	ISSUED FOR REVIEW	FEB. 3/12	PGL

No.	Description	Date	By
-----	-------------	------	----

Revision or Issue

PEV PROVINCIAL ENERGY VENTURES, LTD.
SUITE 3500, ONE ENERGY PLACE, LATROBE, PENNSYLVANIA 15650

BLAST FURNACE COVE
CONTAINMENT BERM
SECTIONS

PROPOSED BERM
SHEET 6 OF 6

CBCL CBCL LIMITED
Consulting Engineers

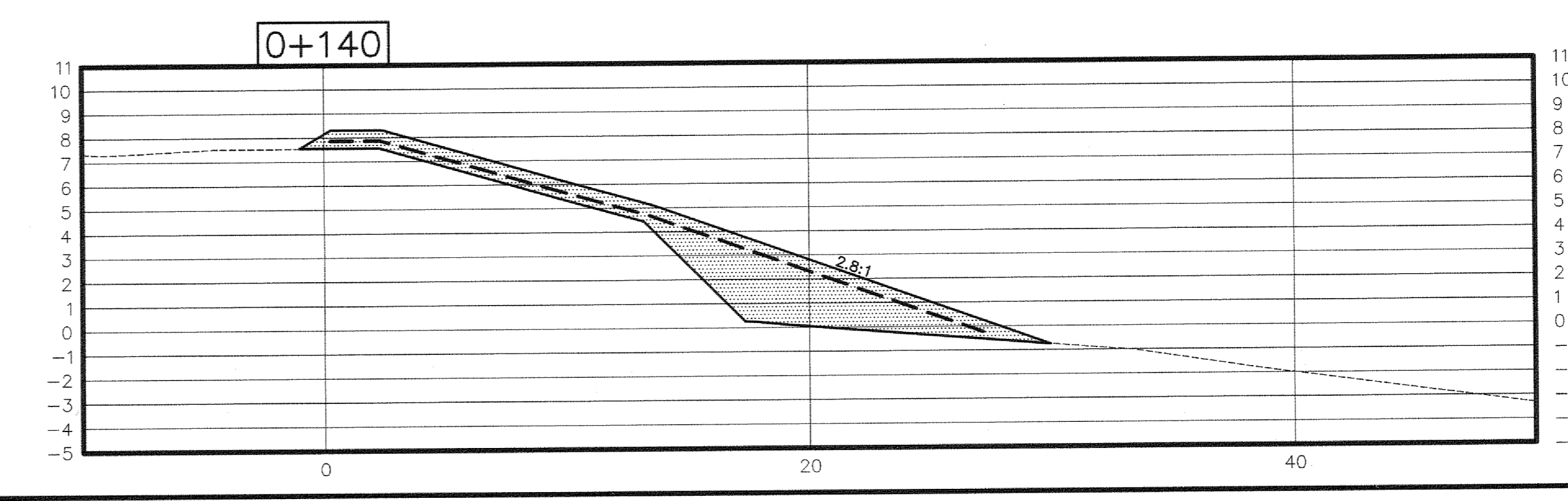
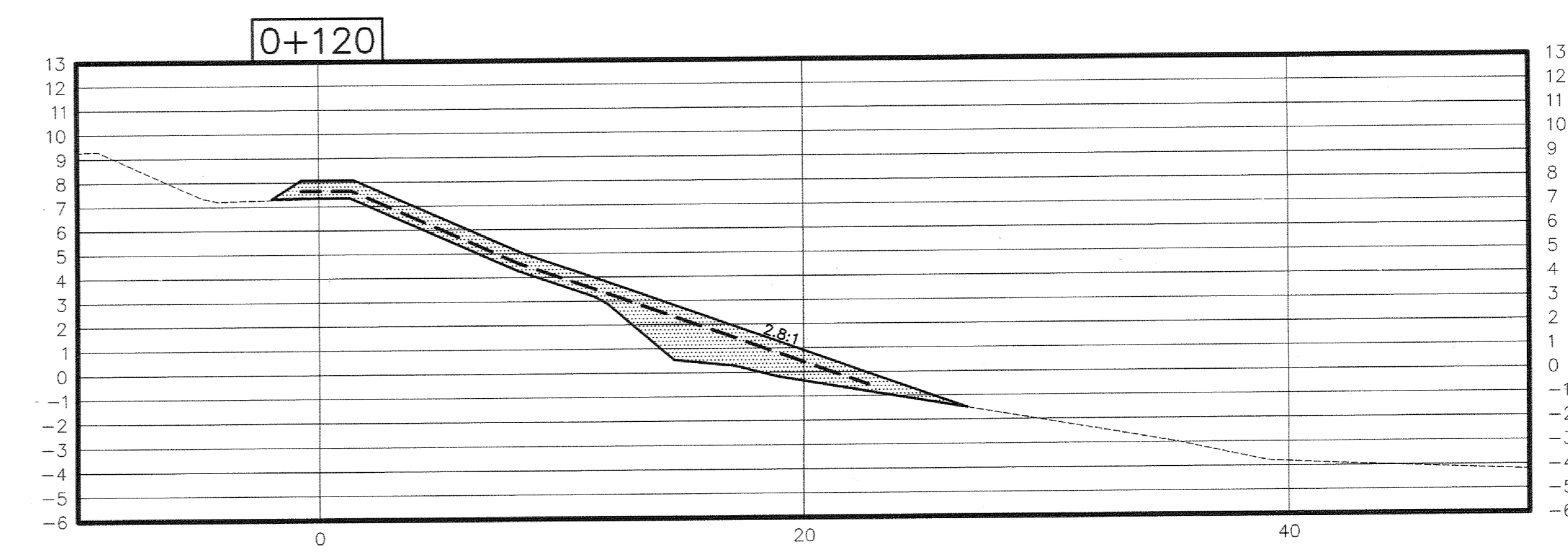
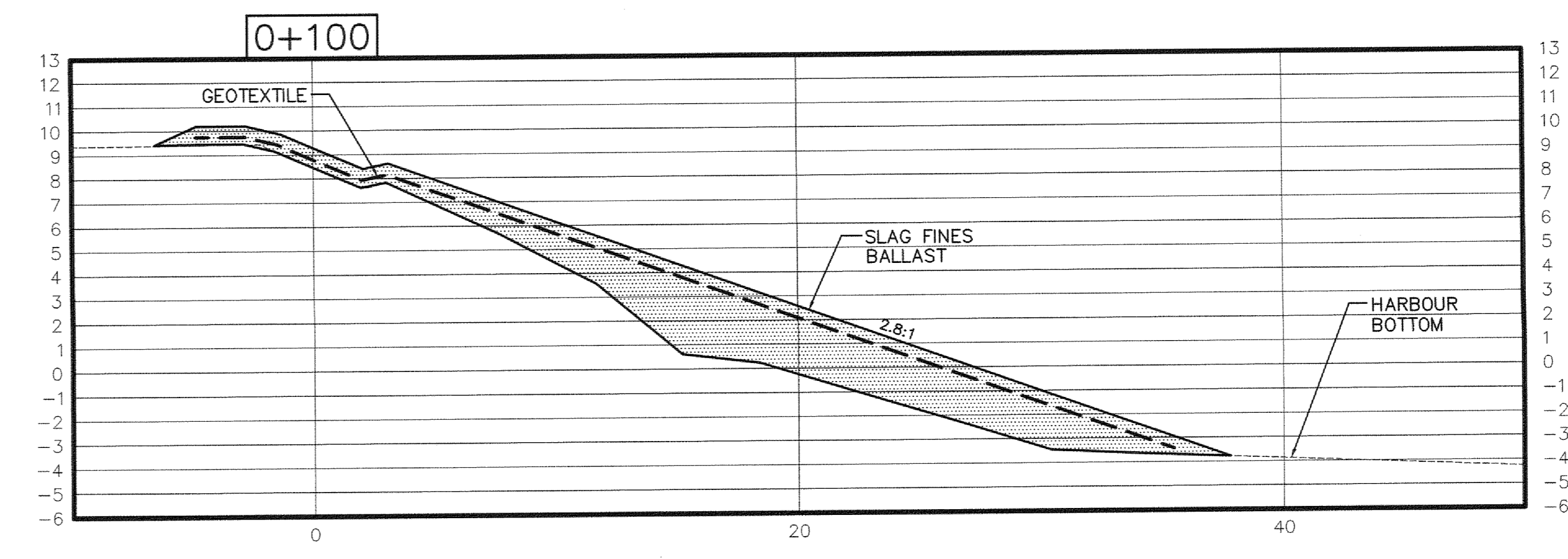
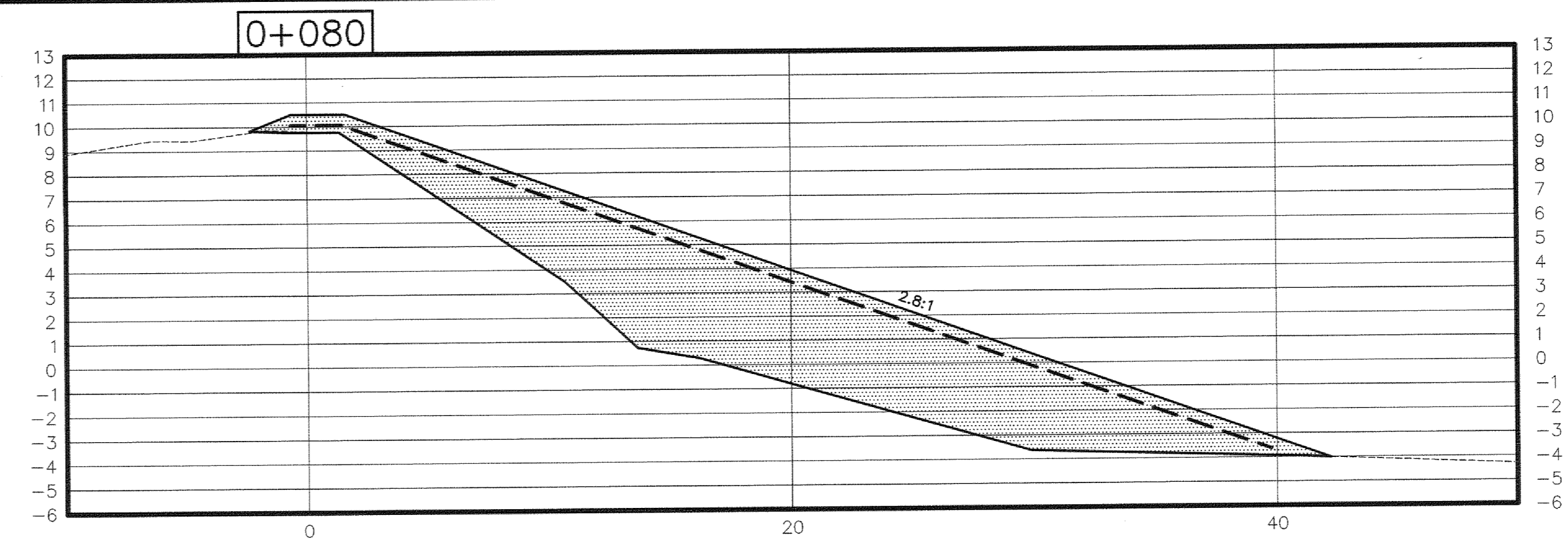
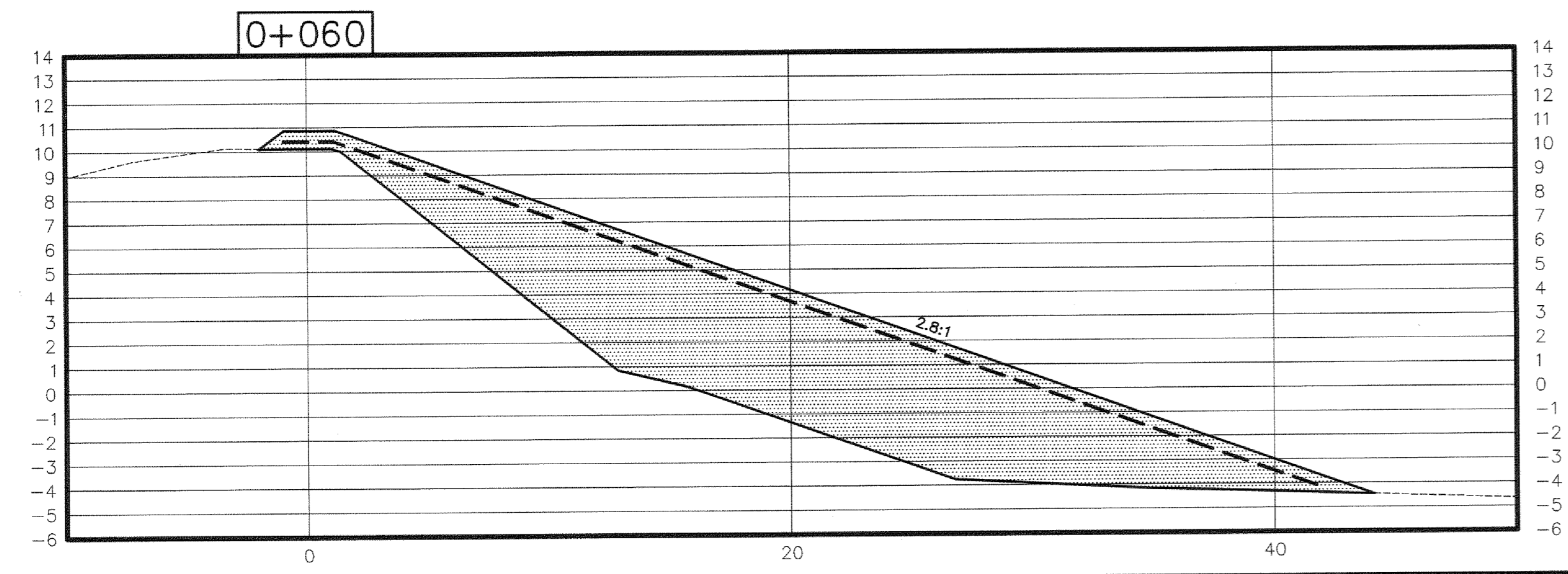
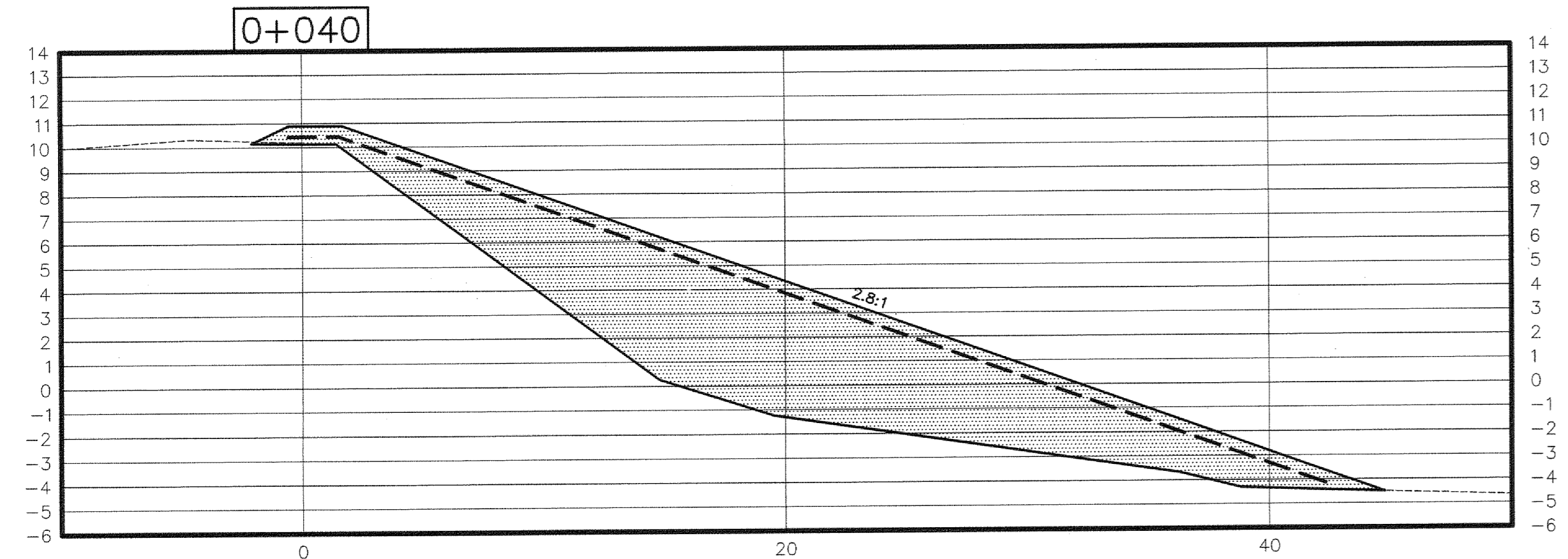
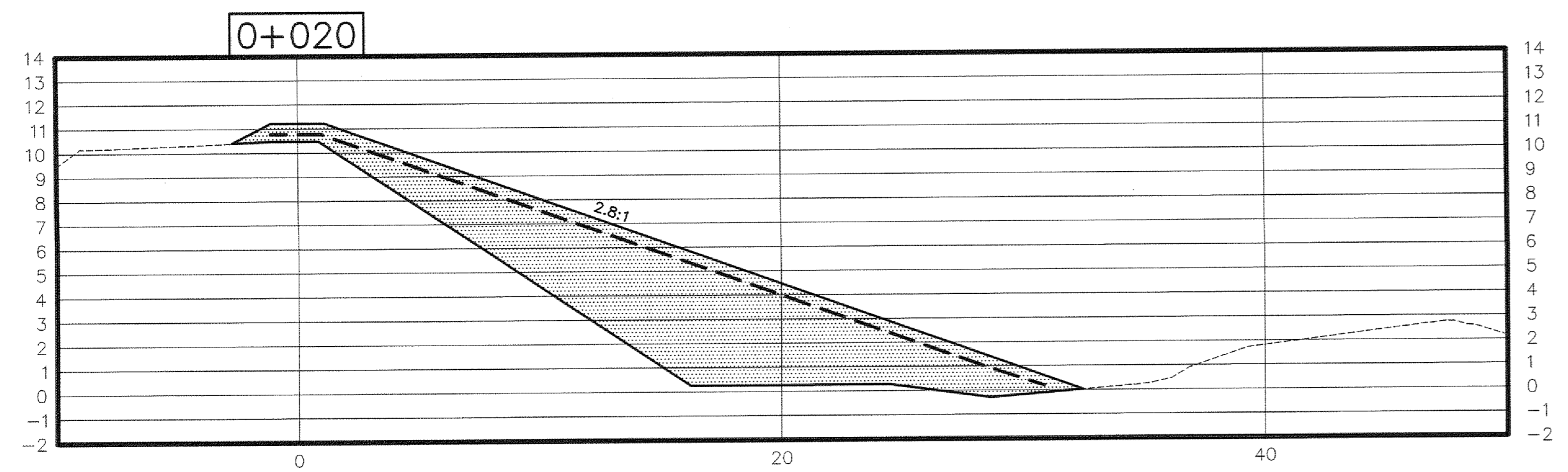
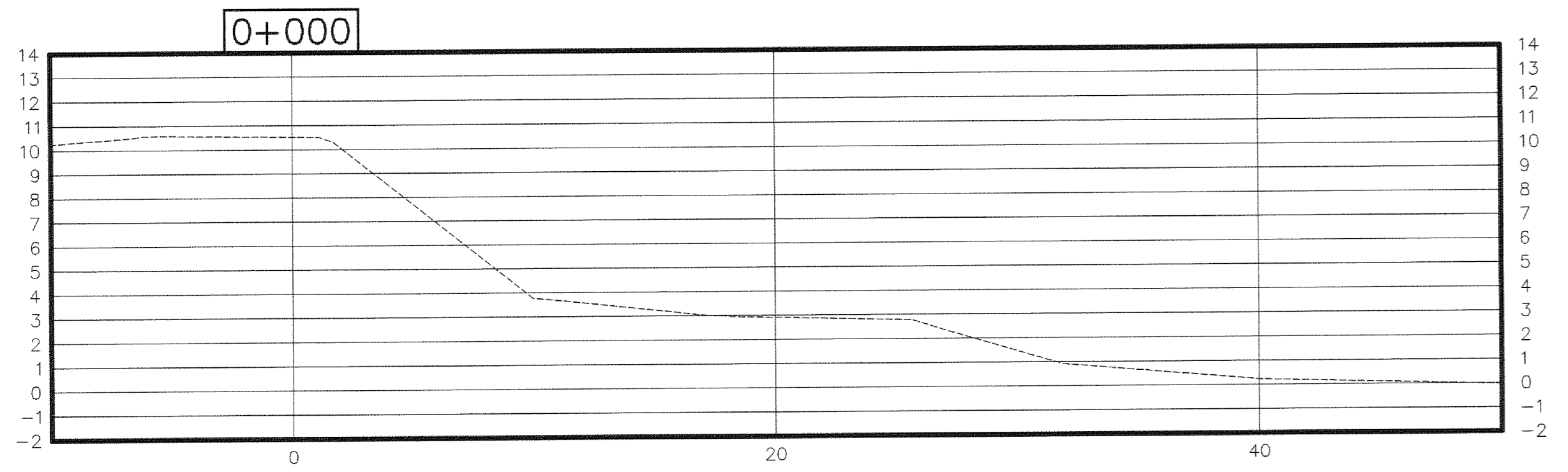
Scale
1:200

Date MAR. 2012	Drawn RHM
Designed RHM	Checked RJM
Contract No. 112400.00-A	Approved PGL
Drawing No.	Revision 1

REGISTERED PROFESSIONAL ENGINEER
DATE
P. G. Landry
P. G. LANDRY
4581
PROVINCE OF NOVA SCOTIA

C9

DRAWING NAME: P:\MARCH2012\15243000 PEV PROJECT\CONTAINMENT BERMS\15243000_C9_BERM\01.dwg
SECTION: BERM SECTION 6 OF 6
DATE: 17/03/2012 11:14 AM
DSE: OPERA/DSE/PAUC



NOTES:
 ----- GEOTEXTILE
 SECTIONS SHOW THEORETICAL ANGLE OF REPOSE FOR SLAG. CONTRACTOR TO PLACE SLAG TO NATURAL ANGLE OF REPOSE.

PRELIMINARY
 NOT FOR CONSTRUCTION

No.	Description	Date	By
1	ISSUED WITH ADDENDUM No. 1	APR. 17/12	PGL
0	ISSUED FOR TENDER	MAR. 26/12	PGL

Revision or Issue
PEV PROVINCIAL ENERGY VENTURES, LTD.
 SUITE 2500, ONE ENERGY PLACE, LATROBE, PENNSYLVANIA 15650
BLAST FURNACE COVE CONTAINMENT BERM
 CIVIL
GEOTEXTILE COVE LINER EAST SIDE OF COVE SECTIONS

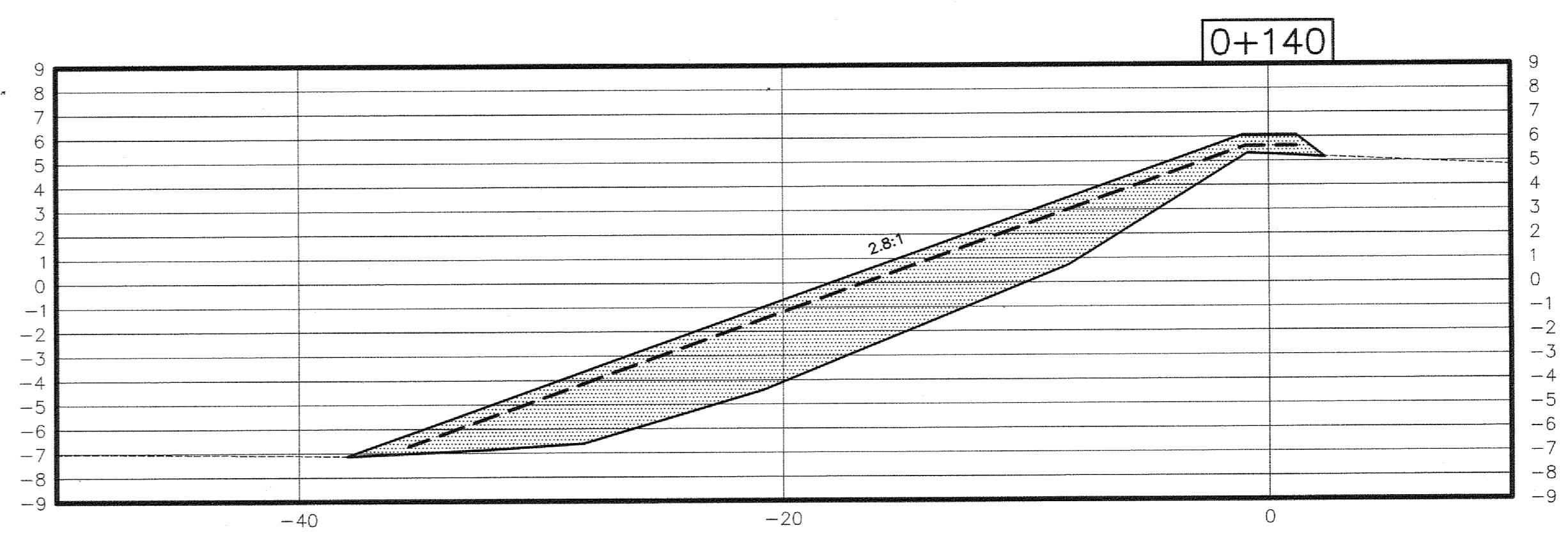
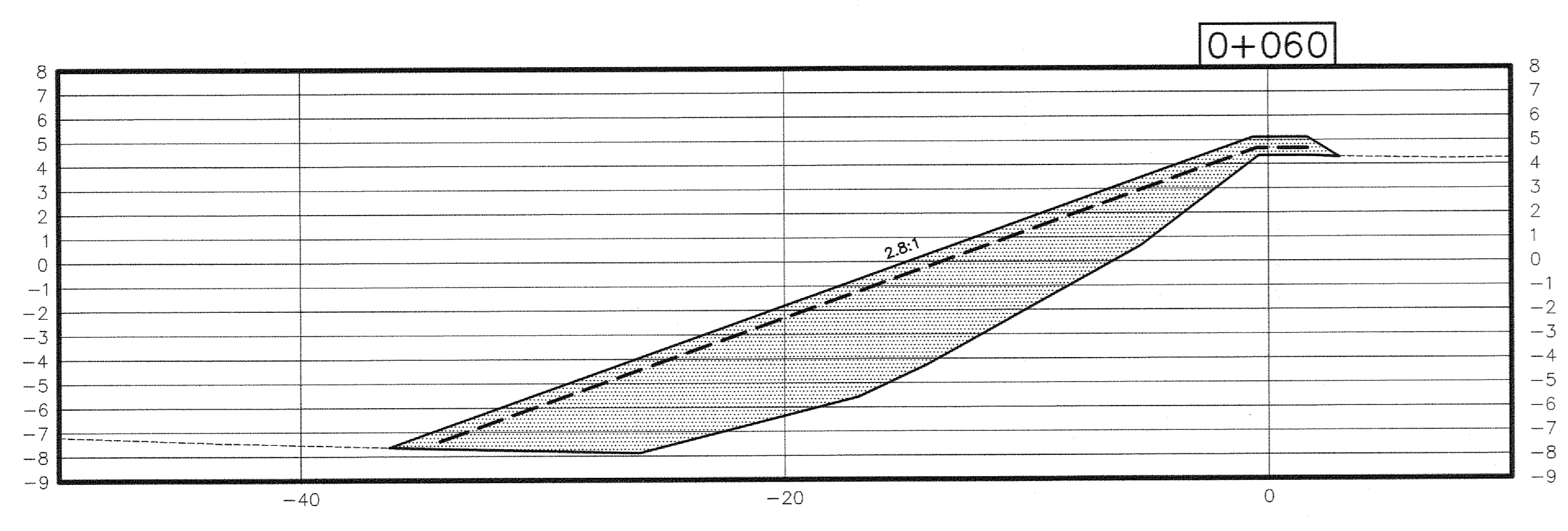
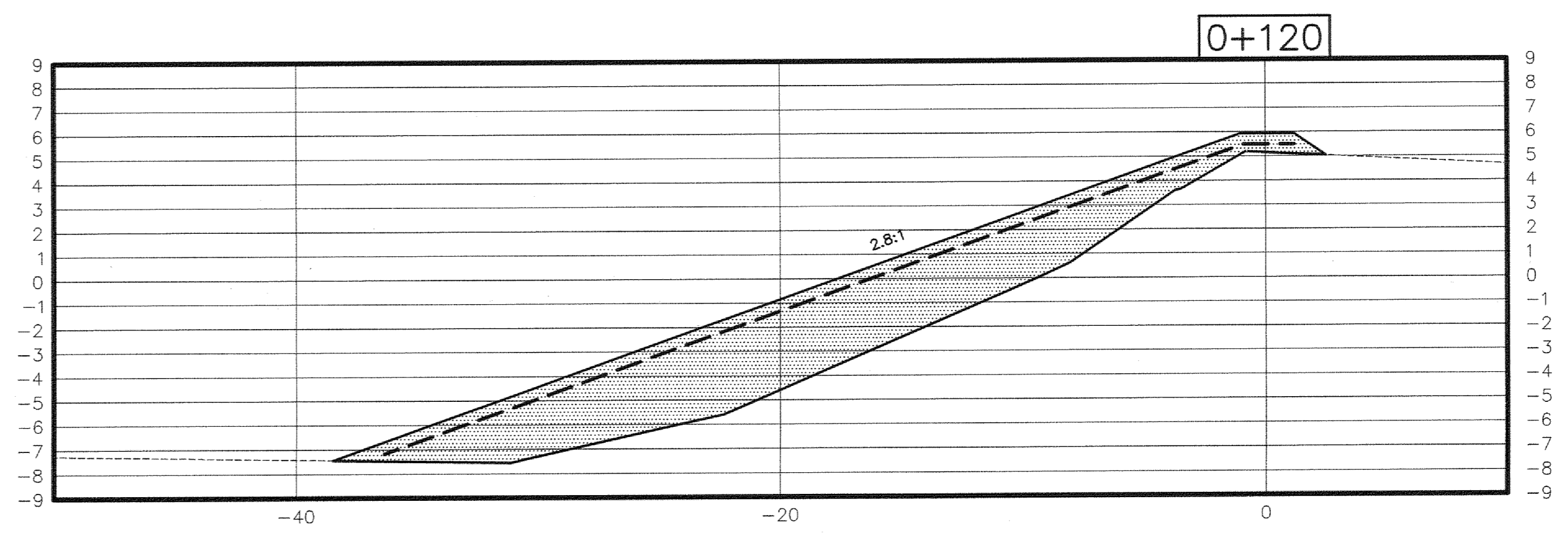
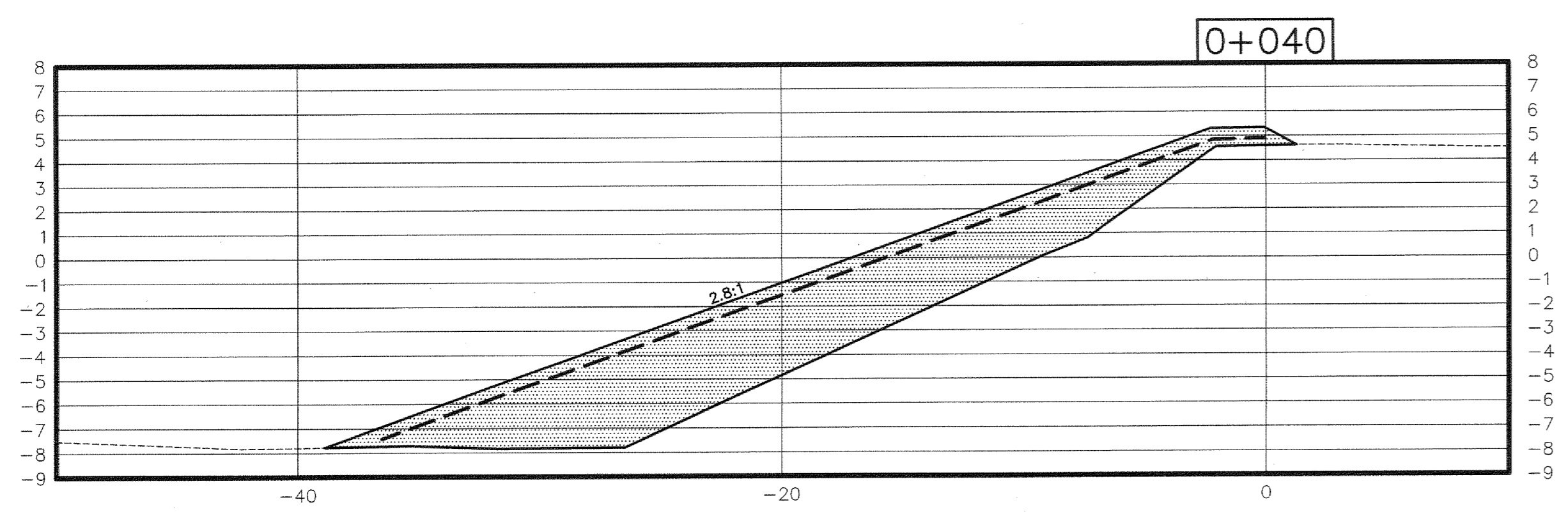
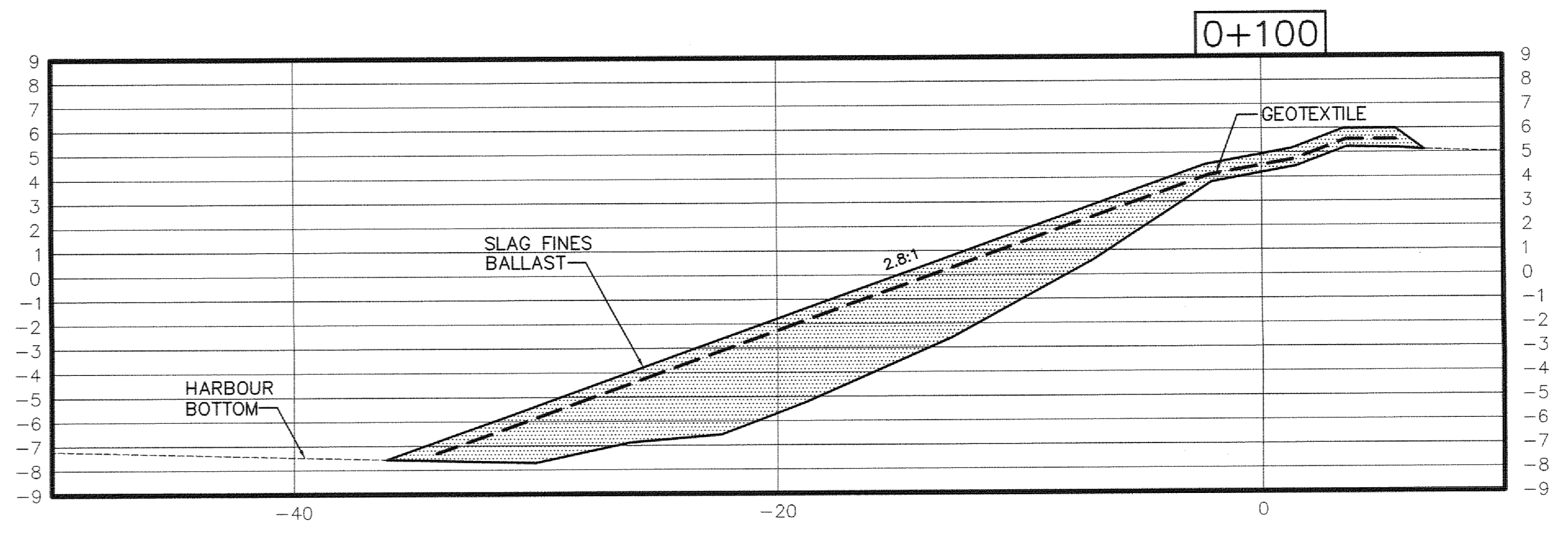
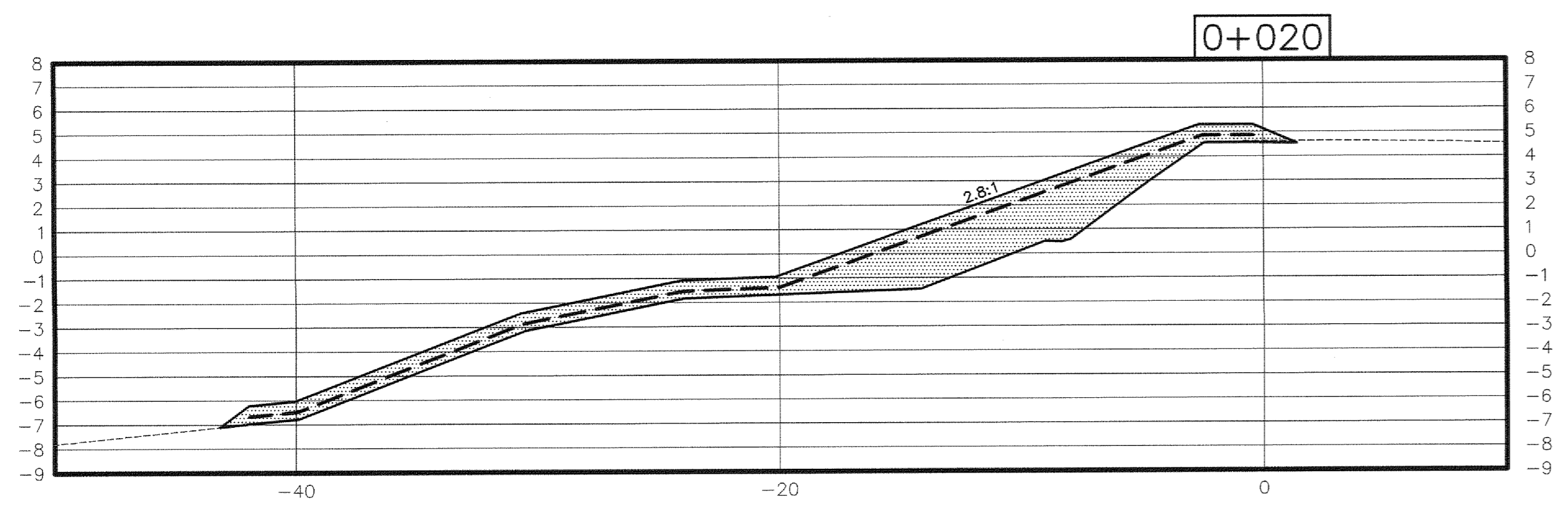
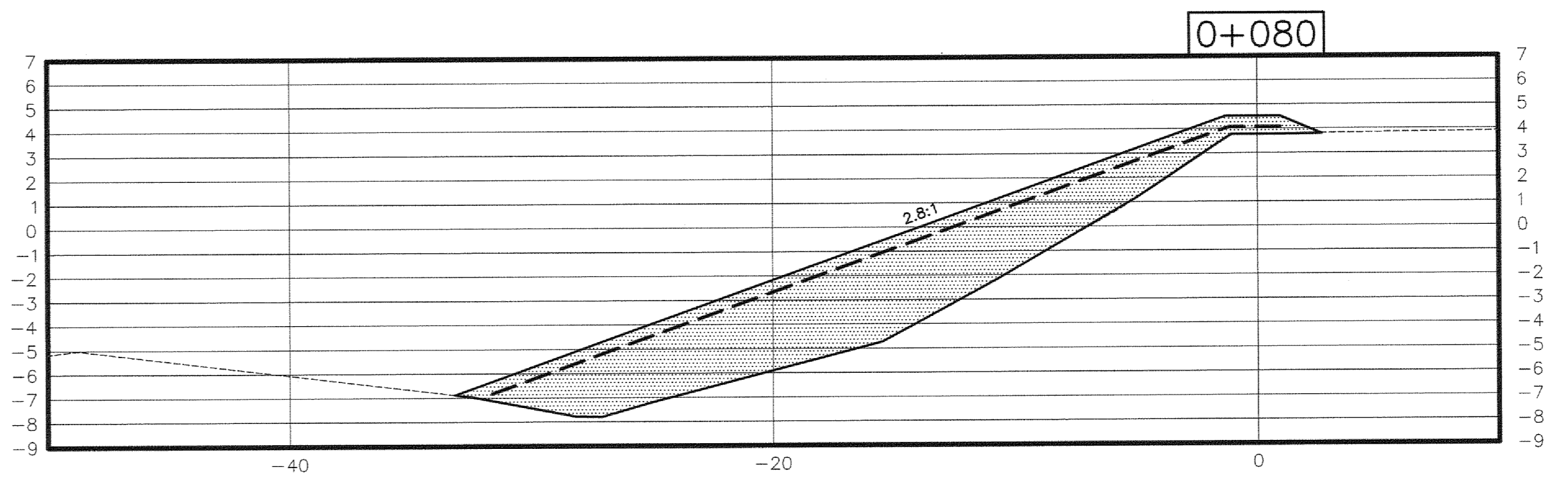
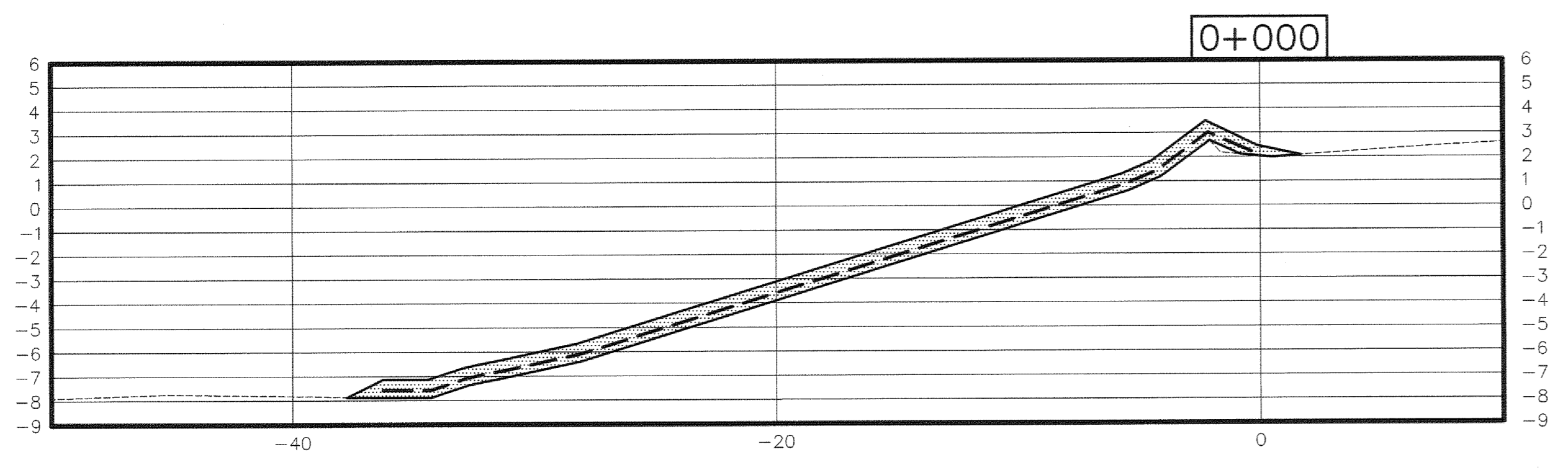
CBCL **CBCL LIMITED**
 Consulting Engineers

Scale
 HORZ. 1:200, VERT. 1:200

Date	MAR. 2012	Drawn	RHM
Designed	RHM	Checked	RJM
Contract No.	112400.00-A	Approved	PGL
Drawing No.	4581	Revision	1

C10

DRAWING NAME: F:\MACH2\112400.00 PEV PROJECT\CONTAINMENT BERM\12400 C10_DAP\BUILDING LAYOUT.DWG DATE: 19/03/2012 10:11:14 PM CAL: DREA:DLB: P:ALC



NOTES:
 ----- GEOTEXTILE
 SECTIONS SHOW THEORETICAL ANGLE OF REPOSE FOR SLAG. CONTRACTOR TO PLACE SLAG TO NATURAL ANGLE OF REPOSE.

PRELIMINARY
 NOT FOR CONSTRUCTION

No.	Description	Date	By
1	ISSUED WITH ADDENDUM No. 1	1 APR. 17/12	PGL
0	ISSUED FOR TENDER	MAR. 26/12	PGL

Revision or Issue
REV PROVINCIAL ENERGY VENTURES, LTD.
 SUITE 2500, ONE ENERGY PLACE, LATROBE, PENNSYLVANIA 15650
BLAST FURNACE COVE CONTAINMENT BERM
 CIVIL
GEOTEXTILE COVE LINER WEST SIDE OF COVE
 SECTIONS 1 OF 2

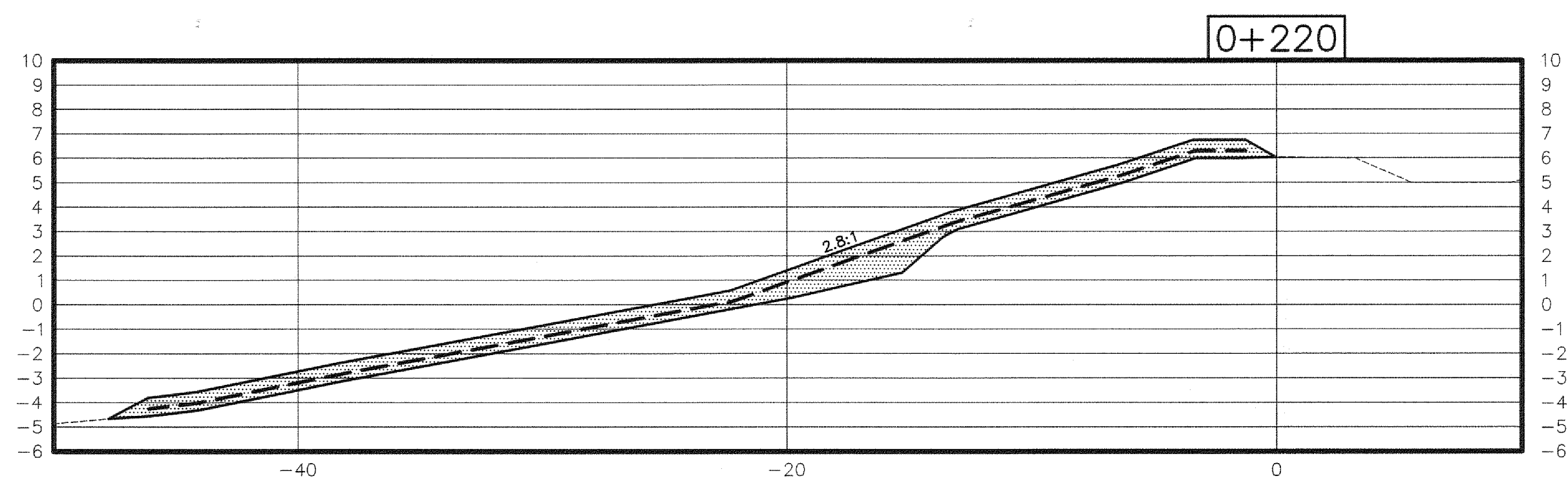
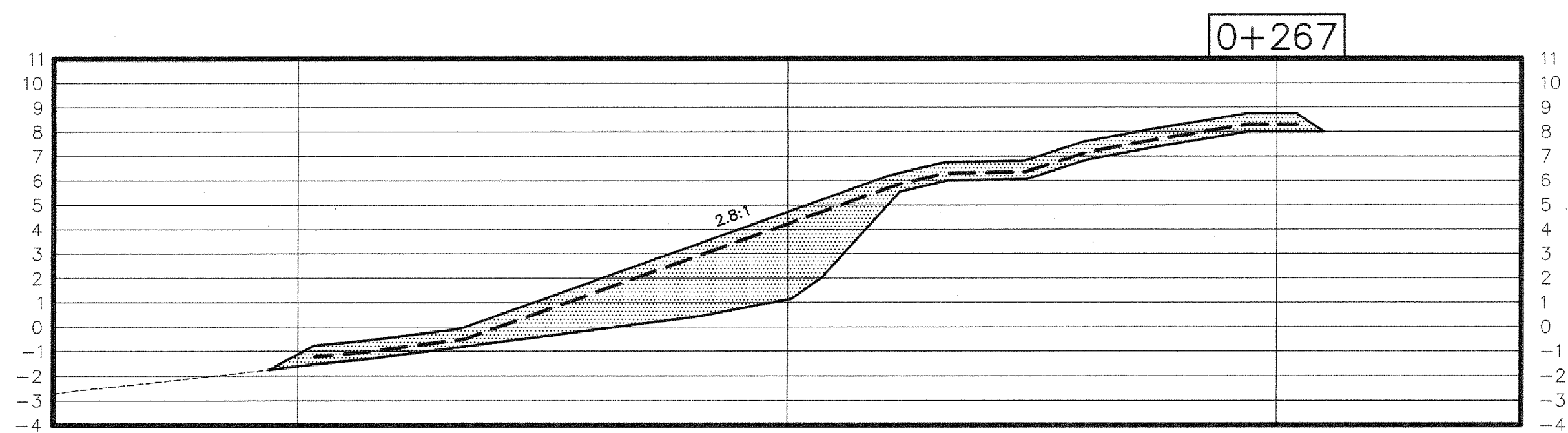
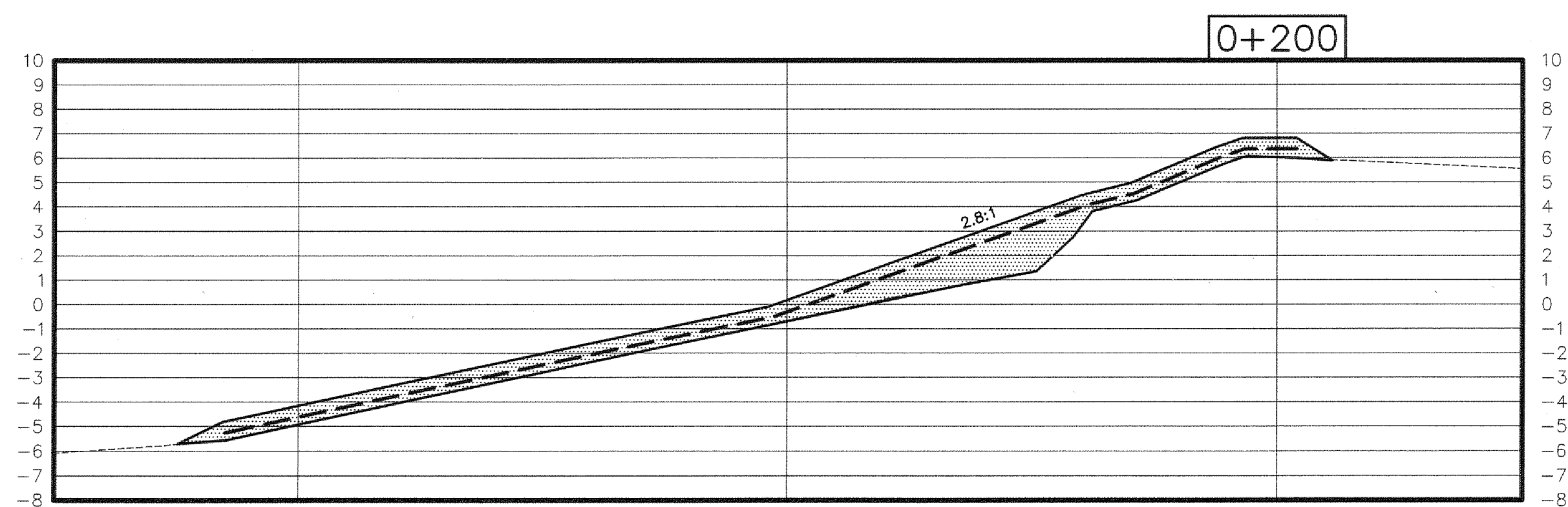
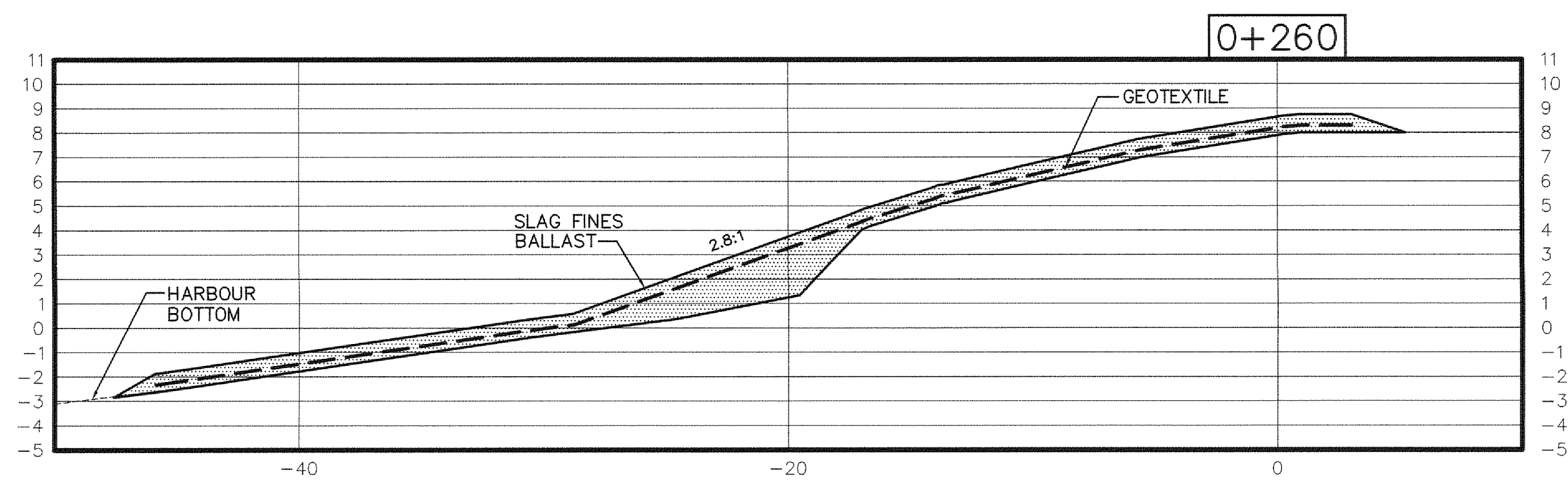
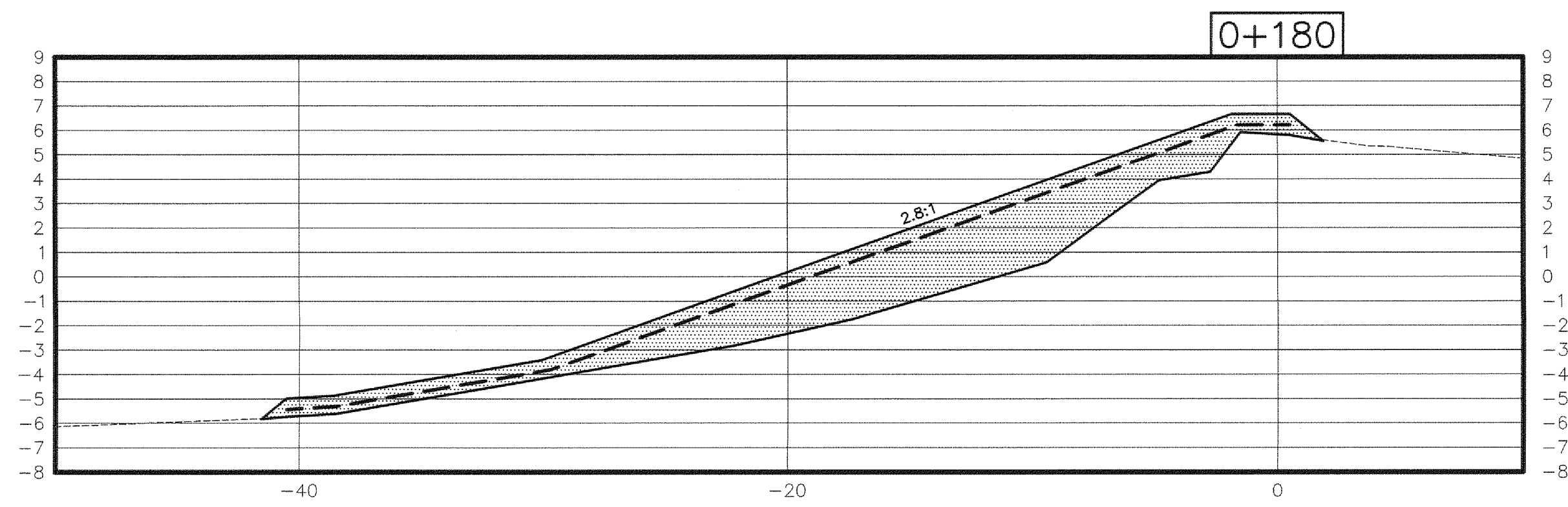
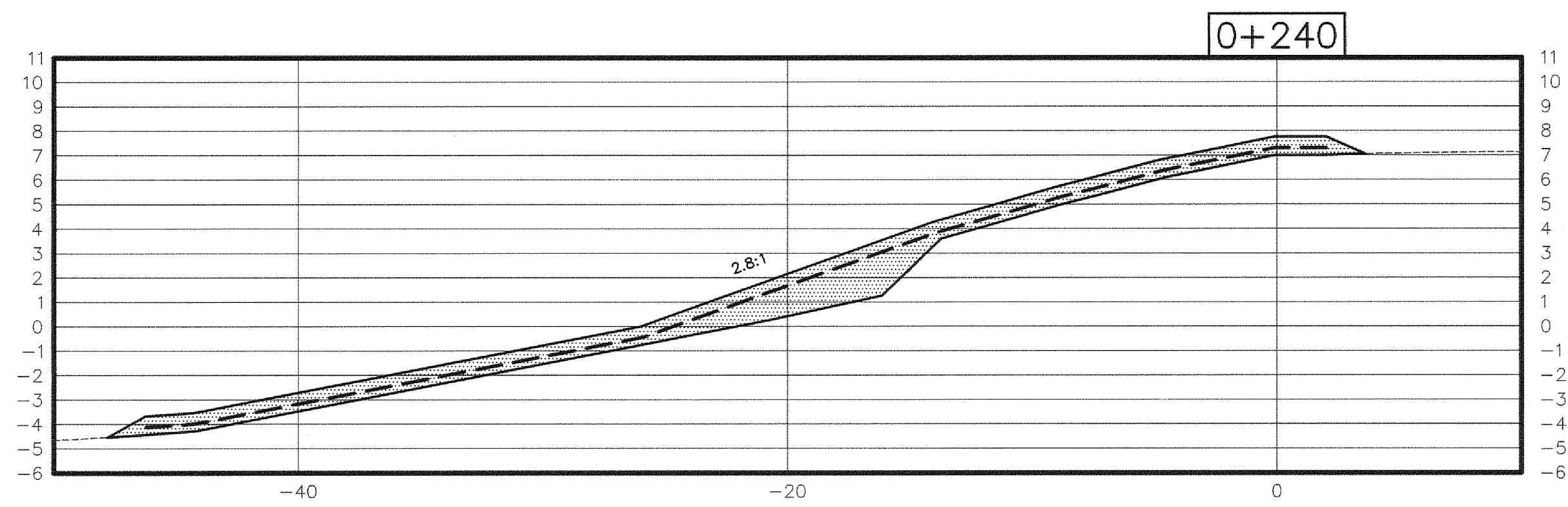
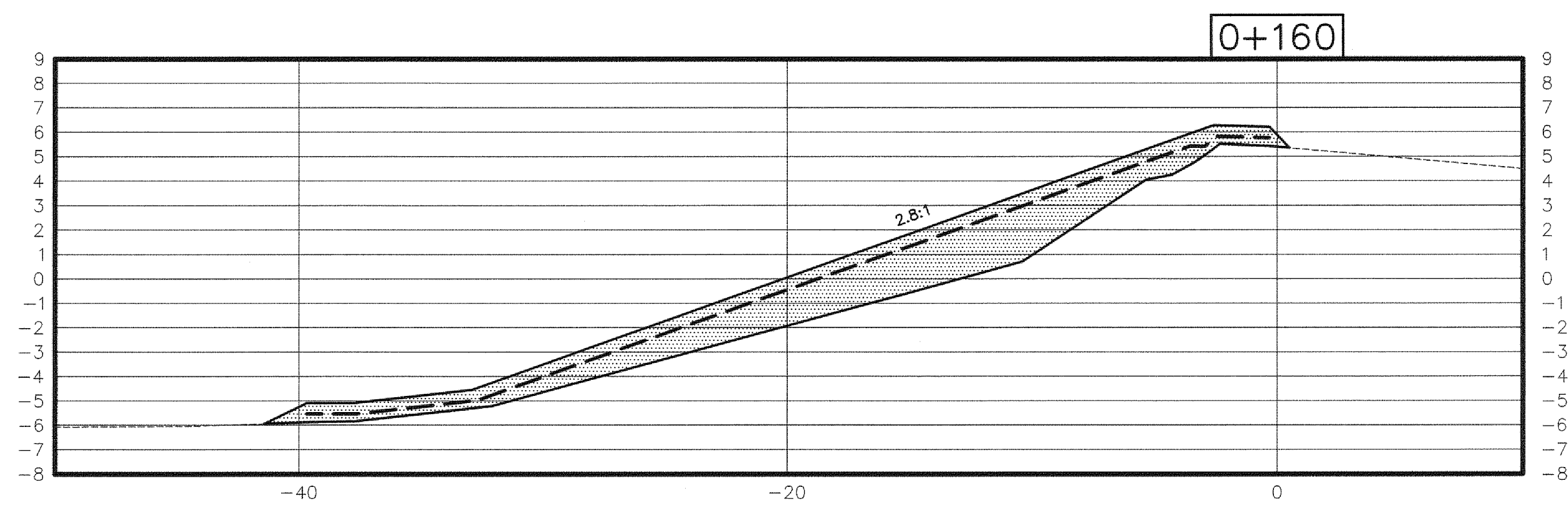
CBCL **CBCL LIMITED**
 Consulting Engineers

Scale
 HORZ. 1:200, VERT. 1:200

Date	MAR. 2012	Drawn	RHM
Designed	RHM	Checked	PGL
Contract No.	112400.00-A	Revision	1
Drawing No.			

C11

2011-03-14 PM 5:14 CAD: JEROME PAUC
 L:\PROJECTS\112400\REV PROJECT\CONTAINMENT BERM\112400_C01_12APR09.DWG



NOTES:
 ----- GEOTEXTILE
 SECTIONS SHOW THEORETICAL ANGLE OF REPOSE FOR SLAG. CONTRACTOR TO PLACE SLAG TO NATURAL ANGLE OF REPOSE.

PRELIMINARY
 NOT FOR CONSTRUCTION

No.	Description	Date	By
1	ISSUED WITH ADDENDUM No. 1	APR. 17/12	PGL
0	ISSUED FOR TENDER	MAR. 26/12	PGL

Revision or Issue
PEV PROVINCIAL ENERGY VENTURES, LTD.
 SUITE 2500, ONE ENERGY PLACE, LATROBE, PENNSYLVANIA 15650
BLAST FURNACE COVE CONTAINMENT BERM
 CIVIL
GEOTEXTILE COVE LINER WEST SIDE OF COVE SECTIONS 2 OF 2

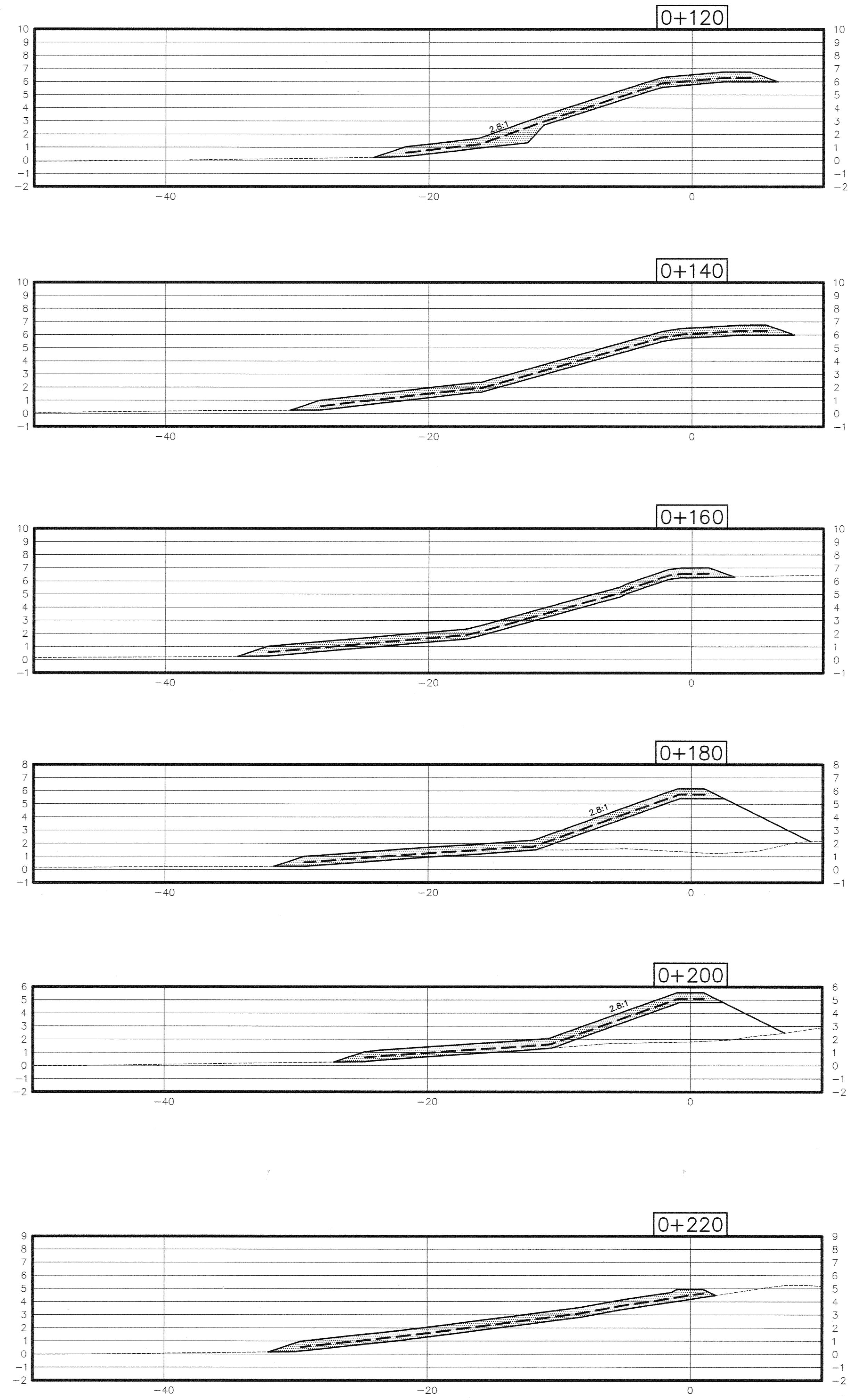
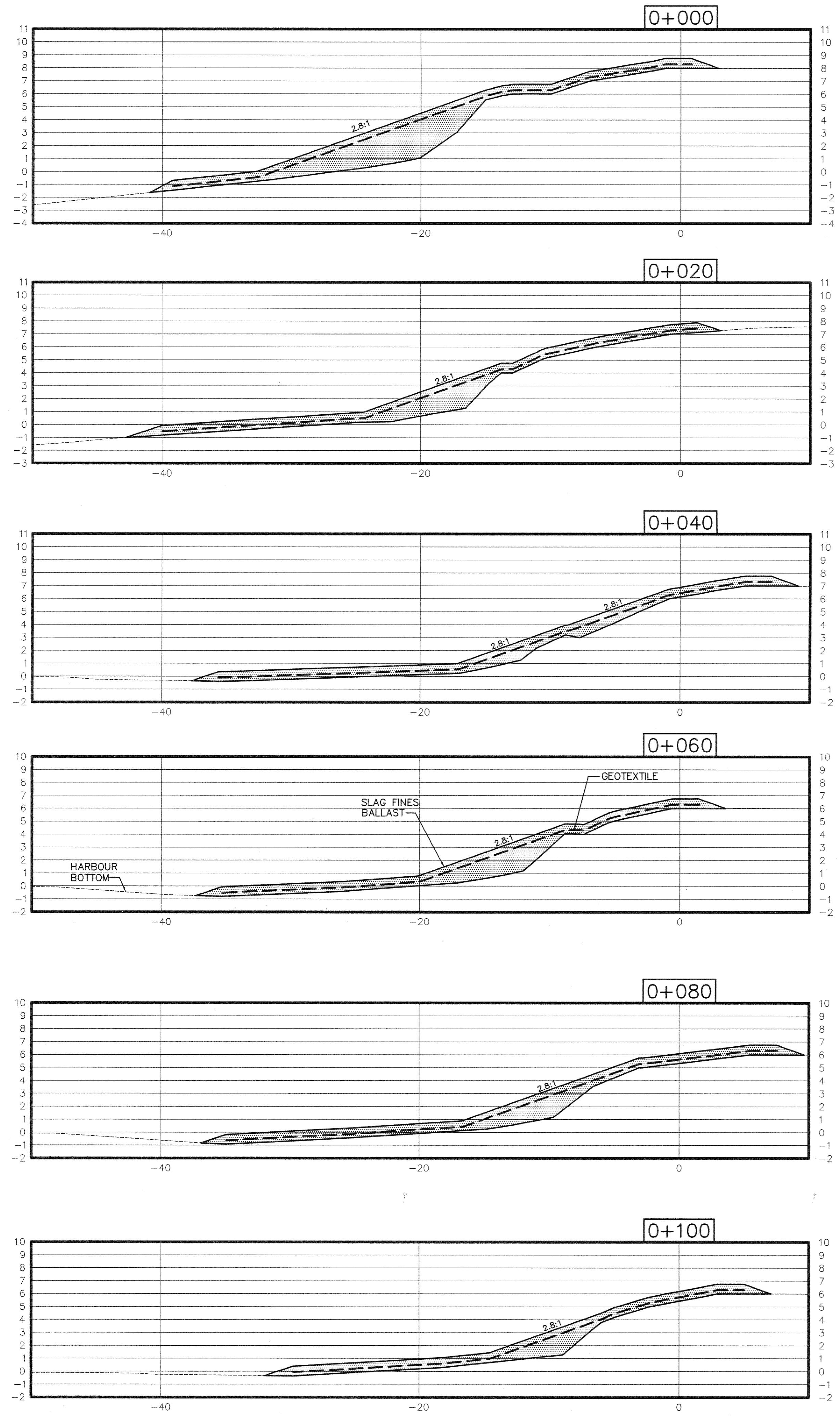
CBCL **CBCL LIMITED**
 Consulting Engineers

Scale
 HORZ. 1:200, VERT. 1:200

Date	MAR. 2012	Drawn	RHM
Designed	RHM	Checked	RJM
Approved	PGL	Approved	PGL
Contract No.	112400.00-A	Revision	1
Drawing No.			

C12

DRAWING NAME: P:\MACHRY\12400.00\REV PROJECT CONTAINMENT BERM\112400_C12_12APR09.DWG LAYOUT: J.M.A.E. DATE: 2011-03-14 PM 3:08:14 CAD: MERRILL: PAULC



NOTES:
 ----- GEOTEXTILE
 SECTIONS SHOW THEORETICAL ANGLE OF REPOSE FOR SLAG. CONTRACTOR TO PLACE SLAG TO NATURAL ANGLE OF REPOSE.

PRELIMINARY
 NOT FOR CONSTRUCTION

No.	Description	Date	By
0	ISSUED WITH ADDENDUM No. 1	APR. 17/12	

Revision or Issue
PEV PROVINCIAL ENERGY VENTURES, LTD.
 SUITE 2500, ONE ENERGY PLACE, LATROBE, PENNSYLVANIA 15650
BLAST FURNACE COVE CONTAINMENT BERM
 CIVIL
GEOTEXTILE COVE LINER SOUTH SIDE OF COVE SECTIONS 1 OF 2

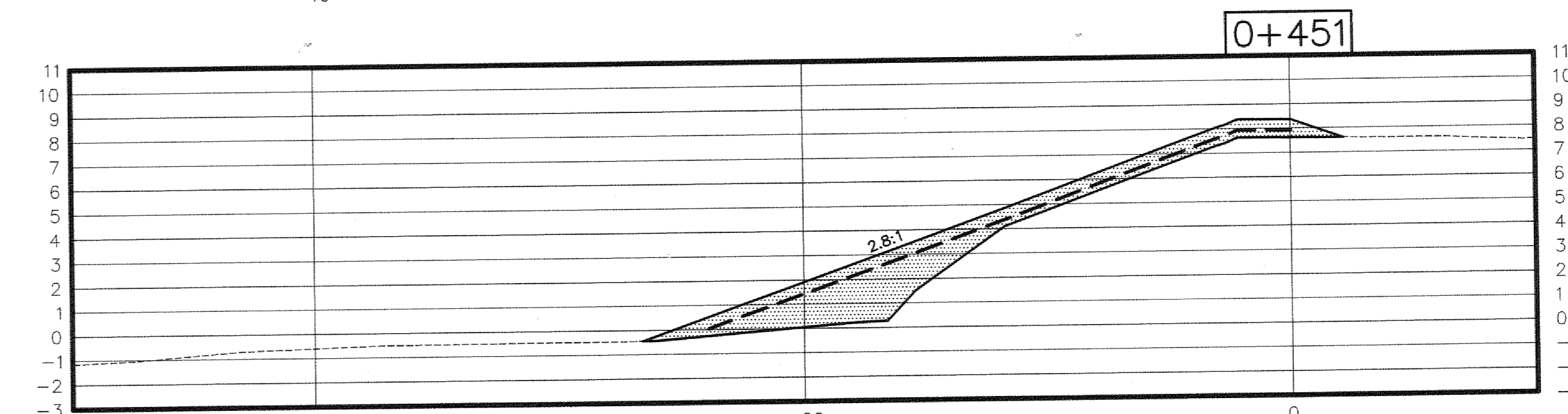
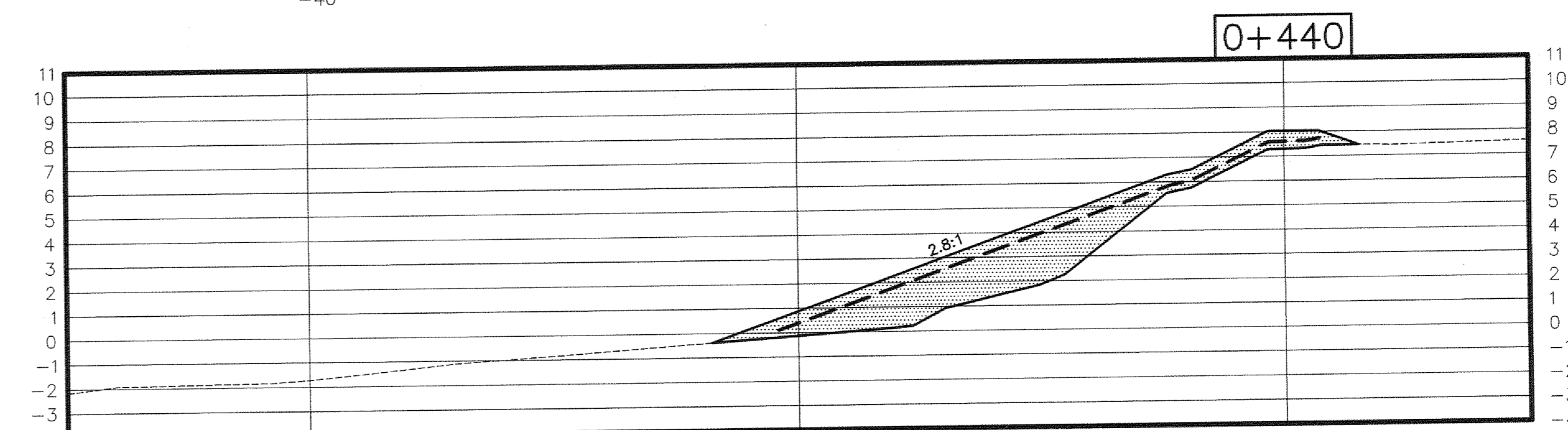
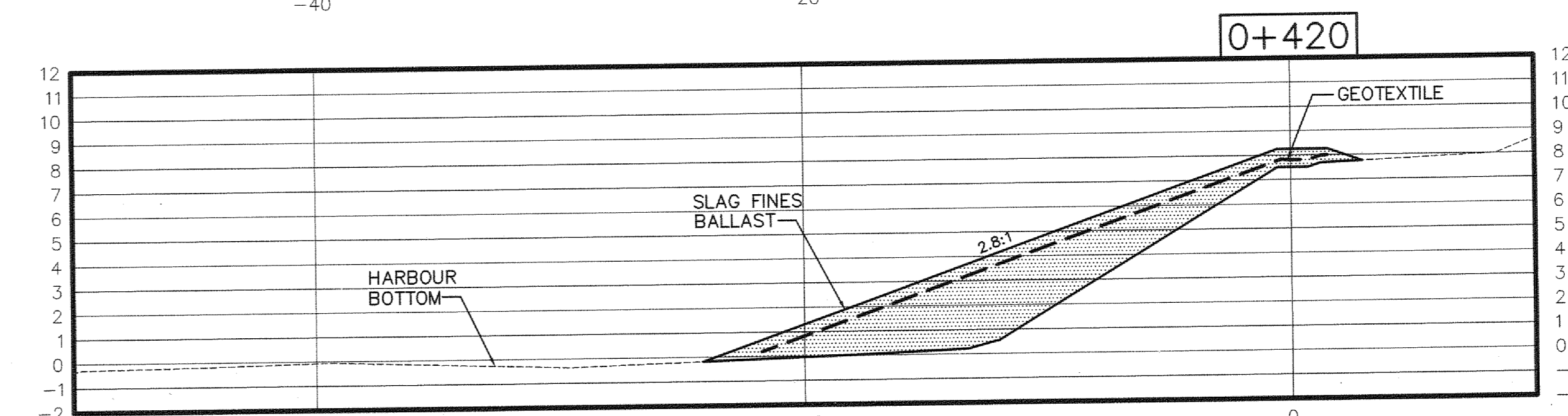
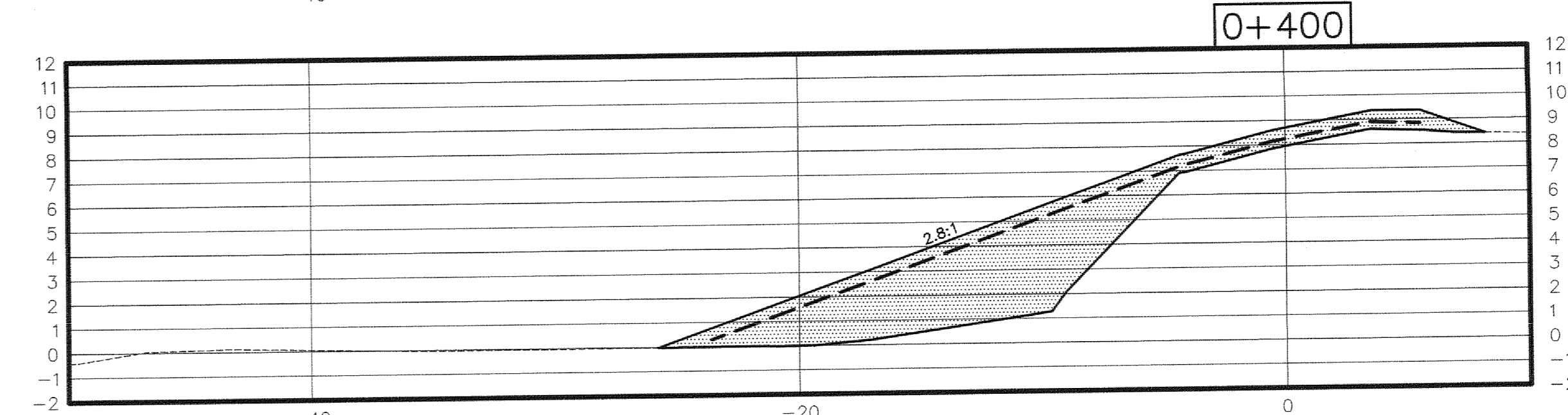
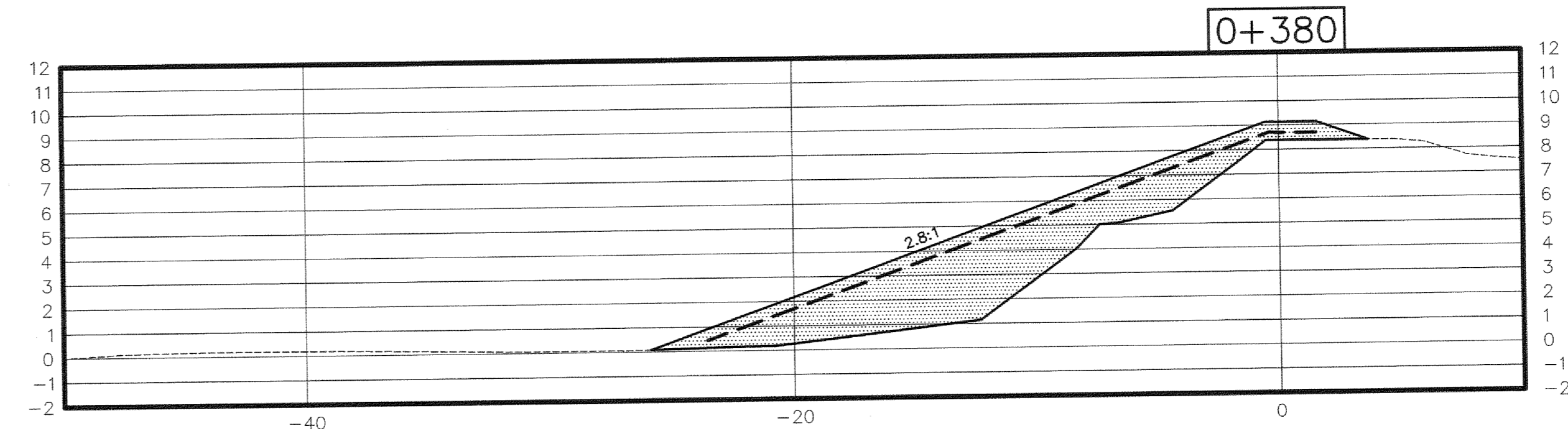
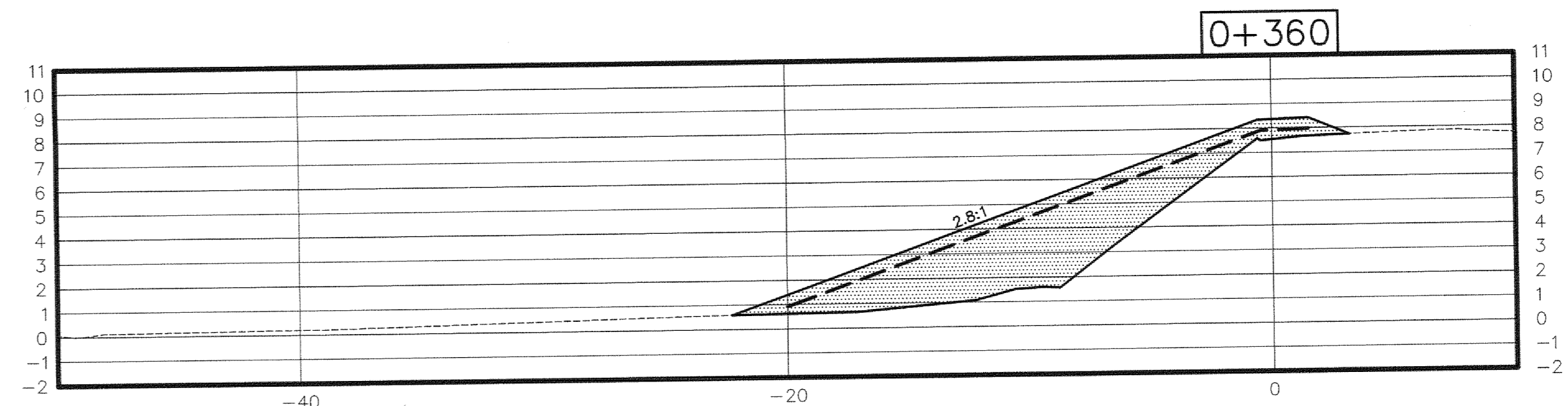
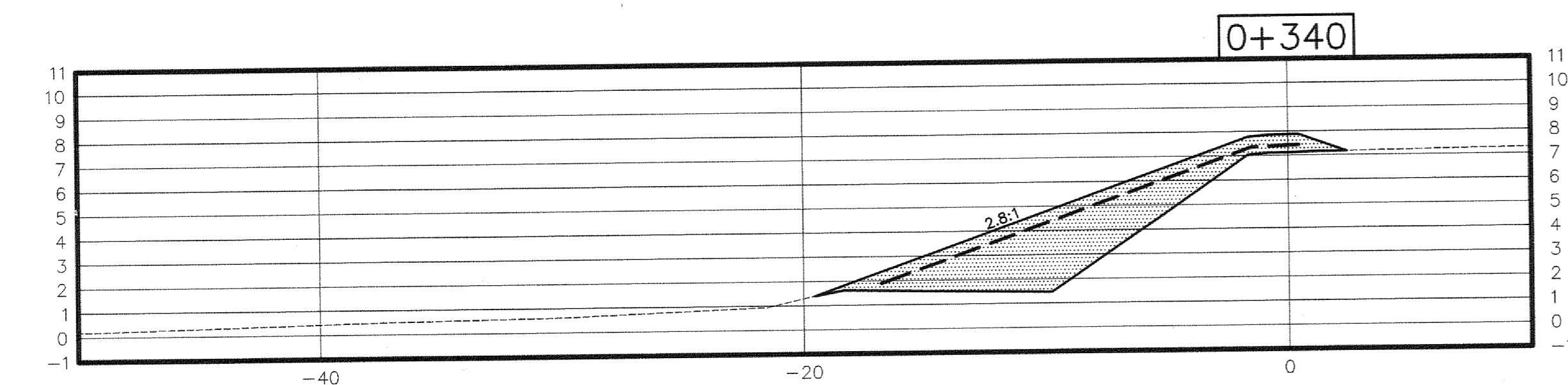
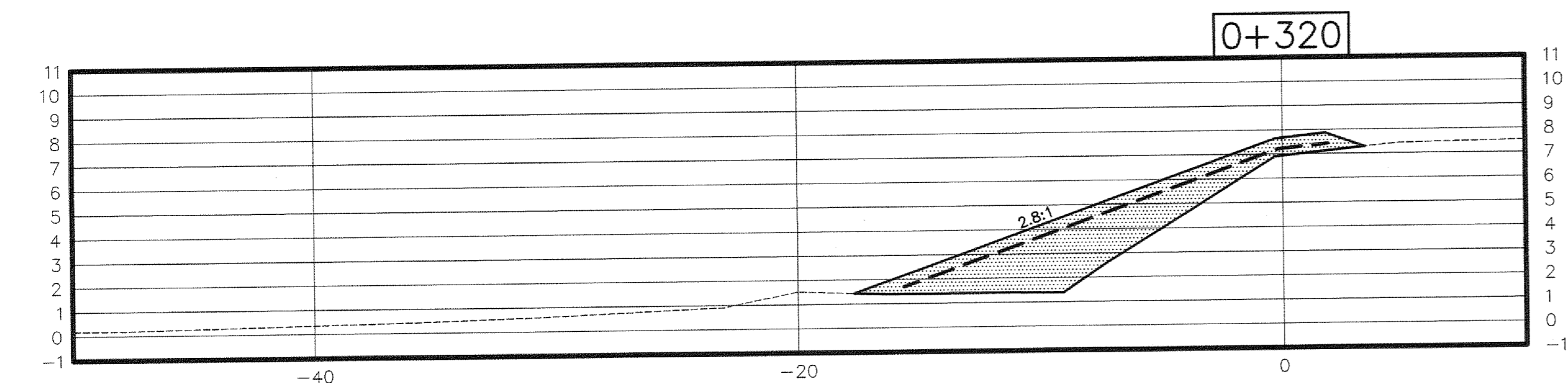
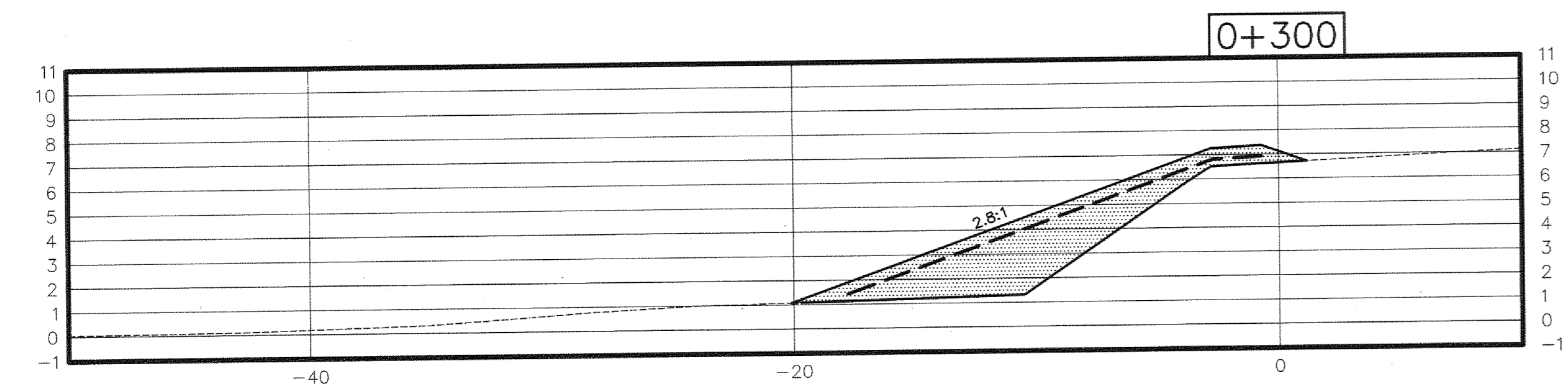
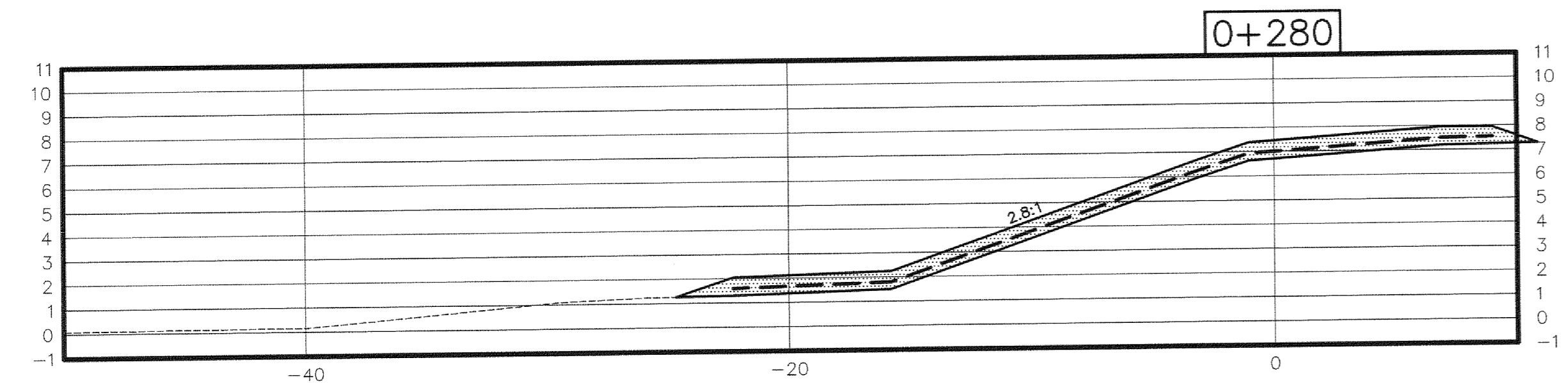
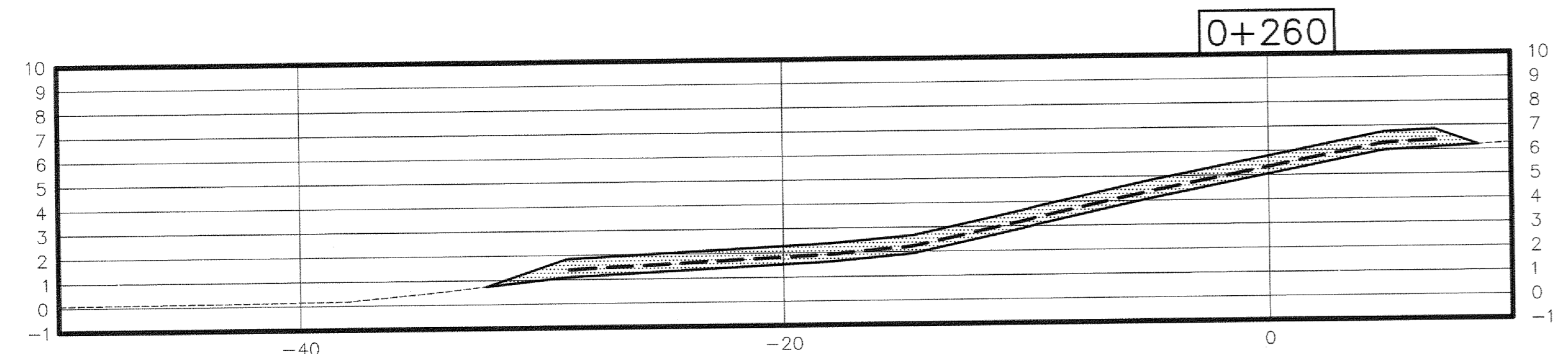
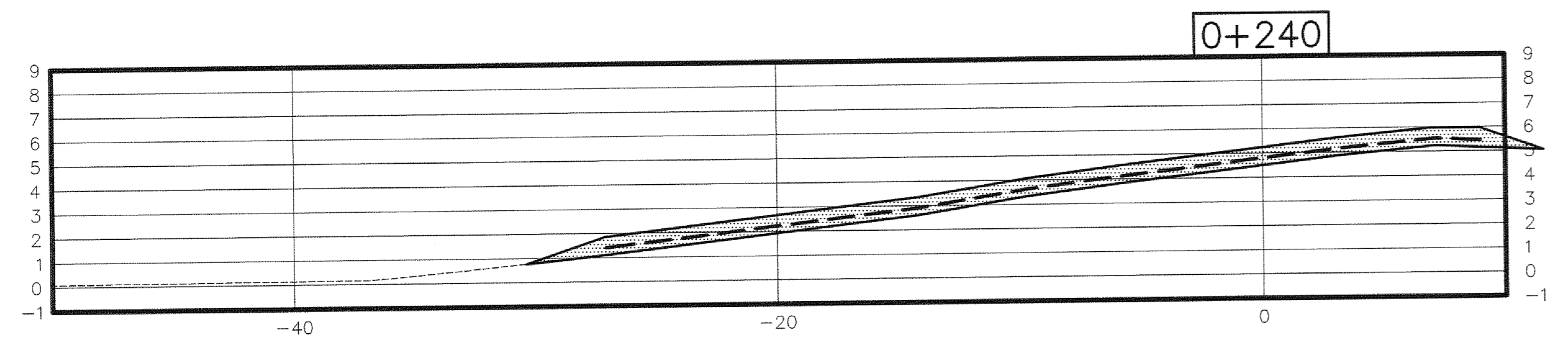
CBCL **CBCL LIMITED**
 Consulting Engineers

Scale AS NOTED

Date	MAR. 2012	Drawn	PJC
Designed	RHM	Checked	RJM
Approved		Approved	PGL
Contract No.	112400.00-A	Revision	0
Drawing No.	4581		

C13

DRAWING NAME: P:\VAP\951164000 PEV PROJECT\CONTAINMENT BERM\12400 C13.DWG DATE: 17/04/2012 11:51:14 PM CAD: JEROME PAULC



NOTES:
 --- GEOTEXTILE
 SECTIONS SHOW THEORETICAL ANGLE OF REPOSE FOR SLAG. CONTRACTOR TO PLACE SLAG TO NATURAL ANGLE OF REPOSE.

PRELIMINARY
 NOT FOR CONSTRUCTION

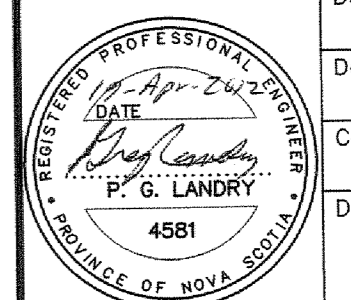
No.	Description	Date	By
0	ISSUED WITH ADDENDUM No. 1	APR. 17/12	

Revision or Issue
REV PROVINCIAL ENERGY VENTURES, LTD.
 SUITE 2500, ONE ENERGY PLACE, LATROBE, PENNSYLVANIA 15650
BLAST FURNACE COVE CONTAINMENT BERM
 CIVIL
GEOTEXTILE COVE LINER SOUTH SIDE OF COVE SECTIONS 2 OF 2

CBCL **CBCL LIMITED**
 Consulting Engineers

Scale: HORZ. 1:200, VERT. 1:200

Date	Drawn
MAR. 2012	PJC
Designed	Checked
RHM	RJM
Contract No.	Approved
112400.00-A	PGL
Revision	0
Drawing No.	
	C14



DRAWING NAME: P:\MACHREX\112400\00 PEV PROJECT\CONTAINMENT BERM\112400_C14_P12.PLOT.DWG LAYOUT NAME: CH_ELOC.DWG November 19, 2011 5:14 PM CALDERHEAD: PAULC