

Royal Gazette

Part II Regulations under the Regulations Act

Printed by the Queen's Printer

Halifax, Nova Scotia

Vol. 34, No. 3

January 29, 2010

Contents

Act	Reg. No.	Page
Dairy Industry Act		
Bulk Haulage Regulations—amendment	14/2010	204
Education Act		
Proclamation of amendments to Act, S. 14, S.N.S. 2008, c. 54—S. 1-6 and 9-13	7/2010	188
Ministerial Education Act Regulations—amendment	12/2010	198
Executive Council Act and Public Service Act		
Proclamation of amendments to Acts, S. 16, S.N.S. 2009, c. 14	13/2010	203
Gaming Control Act		
Proclamation of amendments to Act, S. 2, S.N.S. 2008, c. 57	6/2010	187
Health Services and Insurance Act		
Seniors' Pharmacare Program Regulations—amendment	3/2010	97
Homes for Special Care Act		
Homes for Special Care Regulations—amendment	9/2010	193
Motor Vehicle Act		
Weights and Dimensions of Vehicles Regulations—amendment	4/2010	98
Commercial Carrier Safety Fitness Rating and Compliance Regulations—amendment	5/2010	184
Petroleum Products Pricing Act		
Prescribed Petroleum Products Prices	10/2010	194
Prescribed Petroleum Products Prices	11/2010	196
Public Service Act and Executive Council Act		
Proclamation of amendments to Acts, S. 16, S.N.S. 2009, c. 14	13/2010	203

Summary Proceedings Act

Summary Offence Tickets Regulations—amendment	8/2010	189
---	--------	-----

In force date of regulations: As of March 4, 2005*, the date a regulation comes into force is determined by subsection 3(6) of the *Regulations Act*. The date a regulation is made, the date a regulation is approved, the date a regulation is filed and any date specified in a regulation are important to determine when the regulation is in force.

*Date that subsections 3(6) and (7) and Sections 11 and 13 of the *Regulations Act* and amendments to the *Regulations Act* made by Chapter 46 of the Acts of 2004 were proclaimed in force.

N.S. Reg. 3/2010

Made: January 8, 2010

Filed: January 13, 2010

Seniors' Pharmacare Program Regulations

Order in Council 2010-2 dated January 8, 2010
Amendment to regulations made by the Governor in Council
pursuant to subsection 17(3) of the *Health Services and Insurance Act*

The Governor in Council on the report and recommendation of the Minister of Health dated December 22, 2009, and pursuant to subsection 17(3) of Chapter 197 of the Revised Statutes of Nova Scotia, 1989, the *Health Services and Insurance Act*, is pleased to amend the *Seniors' Pharmacare Program Regulations*, N.S. Reg. 162/2000, made by the Governor in Council by Order in Council 2000-471 dated September 20, 2000, by repealing "plus or minus 1%" in subsection 5(5) and substituting "plus or minus 3%", effective on and after January 8, 2010.

N.S. Reg. 4/2010 to 5/2010

Made: January 12, 2010

Filed: January 13, 2010

Weights and Dimensions of Vehicles Regulations and
Commercial Carrier Safety Fitness Rating and Compliance Regulations

Order in Council 2010-5 dated January 12, 2010
Amendment to regulations approved and made by the Governor in Council
pursuant to subsection 191(1) and Section 303G of the *Motor Vehicle Act*

The Governor in Council on the report and recommendation of the Minister of Transportation and Infrastructure Renewal dated December 3, 2009, and pursuant to Sections 191 and 303G of Chapter 293 of the Revised Statutes of Nova Scotia, 1989, the *Motor Vehicle Act*, is pleased, effective on and after January 12, 2010, to

- (a) pursuant to subsection 191(1) of the *Motor Vehicle Act*, approve amendments made by the Minister of Transportation and Infrastructure Renewal to the *Weights and Dimensions of Vehicles Regulations*, N.S. Reg. 137/2001, and approved by the Governor in Council by Order in Council 2001-526 dated November 15, 2001, to change certain weight and dimension limits of commercial vehicles and the highways on which such vehicles may operate, in the manner set forth in Schedule "A" attached to and forming part of the report and recommendation; and
- (b) pursuant to Section 303G of the *Motor Vehicle Act*, amend the *Commercial Carrier Safety Fitness Rating and Compliance Regulations*, N.S. Reg. 84/2005, made by the Governor in Council by Order in Council 2005-145 dated March 31, 2005, in the manner set forth in Schedule "B" attached to and forming part of the report and recommendation.

Schedule "A"

I, Bill Estabrooks, Minister of Transportation and Infrastructure Renewal for the Province of Nova Scotia, pursuant to subsection 191(1) of Chapter 193 of the Revised Statutes of Nova Scotia, 1989, the *Motor Vehicle Act*, hereby amend the *Weights and Dimensions of Vehicles Regulations*, N.S. Reg. 137/2001, made by the Minister of Transportation and Public Works and approved by the Governor in Council

2001-526 dated November 15, 2001, to change the weight and dimension limits of certain vehicles and the highways on which such vehicles can operate, in the manner set out in the attached, effective on and after the date this order is published in the Royal Gazette Part II after its approval by the Governor in Council.

Dated and made at Halifax Regional Municipality, Nova Scotia, on December 3, 2009.

Sgd.: *Bill Estabrooks*
Honourable Bill Estabrooks, M.B.
Minister of Transportation and Infrastructure Renewal

N.S. Reg. 4/2010

Weights and Dimensions of Vehicles Regulations

**Amendment to the *Weights and Dimensions of Vehicles Regulations*
made by the Minister of Transportation and Infrastructure Renewal
pursuant to subsection 191(1) of Chapter 293
of the Revised Statutes of Nova Scotia, 1989, the *Motor Vehicle Act***

- 1 (1) Section 2 of the *Weights and Dimensions of Vehicles Regulations*, N.S. Reg. 137/2001, made by the Minister of Transportation and Public Works and approved by the Governor in Council by Order in Council 2001-526 dated November 15, 2001, is amended by striking out clause (a).
- (2) Section 2 of the regulations is further amended by adding the following clause immediately after clause (d):
 - (da) “aerodynamic device” means a device mounted at the rear of a truck, truck tractor or trailer that is designed to reduce the drag associated with airflow around a moving vehicle and that meets all of the following criteria:
 - (I) any portion of the device more than 1.9 m above the ground does not protrude more than 0.61 m beyond the rear of the vehicle to which it is attached,
 - (ii) any portion of the device within 1.9 m of the ground does not protrude more than 0.305 m beyond the rear of the vehicle to which it is attached,
 - (iii) the device complies with Canadian Motor Vehicle Safety Standard 223, as amended, made under the *Canadian Motor Vehicle Safety Act*,
 - (iv) the device does not obstruct or diminish lighting and conspicuity markings required by the Act and its regulations,
 - (v) the device is not designed or used for carrying cargo;
- (3) Clause 2(h) of the regulations is amended by
 - (a) striking out “or” at the end of subclause (v);
 - (b) striking out the semicolon at the end of subclause (vi) and substituting “, or”;
 - (c) adding the following subclause immediately after subclause (vi):
 - (vii) a self-steering quad axle;

- (4) Clause 2(l) of the regulations is amended by adding “or by an aerodynamic device at the rear” immediately before the semicolon at the end of the clause.
- (5) Section 2 of the regulations is further amended by adding the following clause immediately after clause (t):
- (ta) “dry bulk products” mean products consisting of unpackaged free-flowing dry solids that are loaded without being boxed, bagged or hand-stowed, including all of the following:
- (i) aggregate, including
 - (A) crushed stone,
 - (B) sand,
 - (C) gravel,
 - (ii) grain,
 - (iii) sugar,
 - (iv) cement powder,
 - (v) chemicals, including
 - (A) fertilizer,
 - (B) plastic granules,
 - (C) pellets,
 - (D) resin powder,
 - (vi) dry edibles, including
 - (A) alfalfa pellets,
 - (B) citrus pellets,
 - (C) livestock feed,
 - (D) flour,
 - (E) meal,
 - (F) seeds,
 - (G) starches,
 - (H) vegetables,
 - (I) fruit,
 - (vii) bulk mine products, including
 - (A) mineral ore,
 - (B) gypsum,
 - (C) potash,
 - (D) coal,
 - (E) salt;
- (6) Clause 2(u) of the regulations is amended by adding “, exclusive of any extension in the distance caused by an aerodynamic device at the rear” immediately before the semicolon at the end of the clause.
- (7) Clause 2(ak) of the regulations is amended by

- (a) adding “or by an aerodynamic device at the rear” at the end of ~~the~~ subclause (i) immediately before the comma;
 - (b) adding “, exclusive of any extension in the distance caused by an aerodynamic device at the rear” at the end of subclause (ii) immediately before the comma;
 - (c) adding “or by an aerodynamic device at the rear” at the end of subclause (iii) immediately before the comma;
 - (d) adding “, exclusive of any extension in the distance caused by an aerodynamic device at the rear” at the end of subclause (iv) immediately before the semicolon.
- (8) Section 2 of the regulations is further amended by adding the following clause immediately after clause (al):
- (ala) “liquid bulk products” mean products consisting of unpackaged free-flowing liquids that are loaded in an approved tanker trailer without being placed in bottles, bags, boxes, barrels, small tanks or any other similar containers, or hand-stowed, including all of the following:
 - (i) water,
 - (ii) milk,
 - (iii) petroleum products, including
 - (A) heating oil,
 - (B) fuel oil,
 - (C) gasoline,
 - (iv) liquid fertilizer,
 - (v) liquid chemicals,
 - (vi) compressed gas, including
 - (A) liquid oxygen,
 - (B) propane;
- (9) Clause 2(ap) of the regulations is amended by adding “, exclusive of any extension in the distance caused by an aerodynamic device at the rear” immediately preceding the semicolon at the end of the clause.
- (10) Section 2 of the regulations is further amended by adding the following clause immediately after clause (ar):
- (ara) “raw forest products” includes saw logs, pulpwood, stud wood, round wood, veneer wood, wood chips, hog fuel and Christmas trees;
- (11) Clause 2(as) of the regulations is amended by adding “, exclusive of any extension in the distance caused by an aerodynamic device at the rear” immediately preceding the semicolon at the end of the clause.

- (12) Section 2 of the regulations is further amended by adding the following clause immediately after clause (at):
- (ata) “self-steering quad axle “ means an axle group composed of a self-steering axle in front of and pneumatically connected to a tridem axle;
- 2 (1) Clause 3(5)(b) of the regulations is amended by striking out “until December 31, 2009,”.
- (2) Clause 3(5)(c) of the regulations is amended by striking out “until December 31, 2009,”.
- 3 (1) Subsection 4(3) of the regulations is amended by adding “with a single steering axle” immediately after “truck”.
- (2) Subsection 4(6) of the regulations is repealed and the following subsections substituted:
- (6)** Despite subsection (5), no person shall propel or move upon a highway an implement of husbandry exceeding 2.6 m in overall width, unless it is equipped with
- (a) a slow-moving vehicle sign, as prescribed by the regulations respecting slow-moving vehicle identification made under the Act,
- (b) fluorescent flags or flashing lights mounted at the extremities of the implement of husbandry and visible for a distance of 300 m; and
- (c) an amber revolving or strobe warning light visible in all directions for a distance of 300 m.
- (6A)** Despite clause (6)(c), if an implement of husbandry exceeding 2.6 m in width does not have motive power, the motor vehicle moving the implement of husbandry, not the implement of husbandry, must be equipped with an amber revolving or strobe warning light visible in all directions for a distance of 300 m.
- (6B)** In addition to the requirements in subsections (6) and (6A), if any portion of an implement of husbandry extends over the centre line of the highway and the implement of husbandry exceeds 4.27 m in overall width, it must not be propelled or moved on a highway unless it is preceded by a pilot vehicle equipped with
- (a) a D-sign, as prescribed by the Department of Transportation and Infrastructure Renewal, mounted in the front, and
- (b) an amber revolving or strobe warning light mounted on top and visible in all directions for a distance of 300 m.
- (3) Subsections 4(9) to (13) of the regulations are repealed.
- 4 Subsection 6(5) of the regulations is repealed.
- 5 (1) Section 7 of the regulations is amended by adding the following subsections immediately after subsection (2):
- (2A)** Subsection (2) does not apply to a pony trailer, model year 2002 and earlier, if its axle weight is reduced in accordance with Schedule A-2 or A-3.

- (2B) Subsection (2) does not apply to a semi-trailer, model year 2002 and earlier, if
- (a) the axle weight of the semi-trailer is reduced in accordance with Schedule A-4; or
 - (b) the semi-trailer meets the wheelbase requirement as set out in Schedule A.
- (2) Subsection 7(3) of the regulations is repealed and the following subsection substituted:
- (3) The determination of an axle group weight and a gross vehicle weight shall not take into consideration a lift axle, other than as part of a tandem equivalent axle group or a tridem equivalent axle group, unless permitted by these regulations.
- (3) Section 7 of the regulations is further amended by adding the following subsection immediately after subsection (3):
- (4) Despite clauses 5(1)(d) and (h), a person may operate or cause to be operated on a highway, for or on behalf of the Department of Transportation and Infrastructure Renewal or a municipality, a snow clearing or ice control vehicle that exceeds the maximum axle weight limits and the maximum gross vehicle weight limits as specified in Schedule A, if the axle and gross vehicle weights do not exceed
- (a) the manufacturer's axle weight ratings,
 - (b) the manufacturer's tire load ratings, and
 - (c) the manufacturer's gross vehicle weight ratings.
- 6 (1) Subsection 8(1) of the regulations is amended by striking out “, unless permitted by this Section”.
- (2) Subsection 8(4) of the regulations is repealed.
- 7 Subsection 9(1) of the regulations is amended by adding the following clause immediately after clause (b):
- (ba) B-train routes, listed in Schedule B;
- 8 Section 13(2) of the regulations is repealed and the following subsection substituted:
- (2) Any person who violates subsection 13(1) is guilty of an offence and liable on summary conviction to the penalties provided for a category F offence in the *Summary Proceedings Act*.
- 9 (1) Subsection 14(1) of the regulations is amended by striking out “shall be liable to a penalty of \$250” and substituting “is guilty of an offence and liable on summary conviction to the penalties provided for a category F offence in the *Summary Proceedings Act*”.
- (2) Subsection 14(2) of the regulations is amended by striking out “shall be liable to a penalty of \$50” and substituting “is guilty of an offence and liable on summary conviction to the penalties provided for a category B offence in the *Summary Proceedings Act*”.
- 10 Section A of Part 1 of Schedule A to the regulations is amended by:
- (a) adding superscript “4” immediately after “Maximum 4.15 m” in the right-hand column of the row beginning “**Overall Height Limit**”;

- (b) adding superscript “,5” immediately after “Maximum 2.6m^{1,2}” in the right-hand column of the row beginning “**Overall Width Limit**”;
- (c) adding superscript “,6” immediately after “Maximum 23 m³” in the right-hand column of the row beginning “Tractor Semi-trailer” under “**Overall Length Limits**”;
- (d) adding the following footnotes immediately after footnote 3:
 - ⁴ A tractor semi-trailer designed and being used as an auto carrier must not have an overall height exceeding 4.15 m when not loaded, and 4.30 m when loaded. The driver must ensure there is a safe clearance under any physical overpass, including structures and utility lines.
 - ⁵ The load of a tractor semi-trailer designed and being used as an auto carrier that overhangs the front or rear of the tractor semi-trailer must not have an overall width that exceeds 2.1 m.
 - ⁶ A tractor semi-trailer designed and being used as an auto carrier must not have an overall length exceeding 23 m when not loaded and 25 m when loaded.

11 Section B of Part 1 of Schedule A to the regulations is amended by

- (a) adding superscript “6” immediately after “Maximum 6.2 m” in the right-hand column of the row beginning “**Tractor Wheelbase**”;
- (b) adding superscript “7” immediately after “Maximum 35% of wheelbase” in the right-hand column of the row beginning “Semi-trailer” under “**Effective Rear Overhang**”;
- (c) adding superscript “8” immediately after “Maximum 2.0 m” in the right-hand column beginning with “**Rear Overhang**”;
- (d) adding the following footnotes immediately after footnote 5:
 - ⁶ A tractor wheelbase can be up to a maximum of 7.2 m, if the wheelbase of the semi-trailer is not greater than the wheelbase as set out in Schedule A-1.
 - ⁷ A tractor semi-trailer designed and being used as an auto carrier must not have a rear overhang that exceeds 35% of the wheelbase when not loaded and 42% of the wheelbase when loaded.
 - ⁸ A tractor semi-trailer designed and being used as an auto carrier must not have a rear overhang that exceeds 1.2 m.

12 (1) Section C of Part 1 of Schedule A to the regulations is amended by

- (a) striking out superscript “,7” immediately after superscript “1” in the far right column in the row beginning “**Single Steering**” under “**Maximum Axle Weights For Maximum Weight Roads**”;
- (b) striking out “9100 kg⁸” in the far right column in the row beginning “**Tandem** (single tires < 445 mm) (including tandem equivalent axle)” for spread range “greater than 1.85 m” under “**Maximum Axle Weights For Maximum Weight Roads**”, and substituting “12 000 kg”;

- (c) striking out “9100 kg¹⁰” in the far right column in the row beginning “**Tandem** (single tires = or > 445 mm) (including tandem equivalent axle)” for spread range “greater than 1.85 m” under “**Maximum Axle Weights For Maximum Weight Roads**”, and substituting “15 400 kg”;
 - (d) striking out “9100 kg⁹” in the far right column in the row beginning “**Tandem** (single tires < 445 mm and dual tires) (including tandem equivalent axle)” for spread range “greater than 1.85 m” under “**Maximum Axle Weights For Maximum Weight Roads**”, and substituting “15 000 kg”;
 - (e) striking out “9100 kg¹⁸” in the far right column in the row beginning “**Tandem** (single tires = or > 445 mm and dual tires) (including tandem equivalent axle)” for spread range “greater than 1.85 m” under “**Maximum Axle Weights For Maximum Weight Roads**”, and substituting “16 700 kg”;
 - (f) striking out “9100 kg³” in the far right column in the row beginning “**Tandem** (dual tires) (including tandem equivalent axle)” for spread range “greater than 1.85 m” under “**Maximum Axle Weights For Maximum Weight Roads**”, and substituting “18 000 kg”.
- (2) Section C of Part 1 of Schedule A to the regulations is further amended by
- (a) striking out superscript “,7” immediately after superscript “1” in the far right column in the row beginning “**Single Steering**” under “**Maximum Axle Weights For Intermediate Weight Roads**”;
 - (b) striking out “9100 kg⁸” in the far right column in the row beginning “**Tandem** (single tires) (including tandem equivalent axle)” for spread range “greater than 1.85 m” under “**Maximum Axle Weights For Intermediate Weight Roads**”, and substituting “12 000 kg”;
 - (c) striking out “9100 kg⁹” in the far right column in the row beginning “**Tandem** (single tires and dual tires) (including tandem equivalent axle)” for spread range “greater than 1.85 m” under “**Maximum Axle Weights For Intermediate Weight Roads**”, and substituting “15 000 kg”;
 - (d) striking out “9100 kg³” in the far right column in the row beginning “**Tandem** (dual tires) (including tandem equivalent axle)” for spread range “greater than 1.85 m” under “**Maximum Axle Weights For Intermediate Weight Roads**”, and substituting “18 000 kg”.
- (3) Section C of Part 1 of Schedule A to the regulations is further amended by
- (a) striking out superscript “,7” immediately after superscript “1” in the far right column in the row beginning “**Single Steering**” under “**Maximum Axle Weights For All Other Highways**”;
 - (b) striking out “9100 kg⁸” in the far right column in the row beginning “**Tandem** (single tires) (including tandem equivalent axle)” for spread range “greater than 1.85 m” under “**Maximum Axle Weights For All Other Highways**”, and substituting “12 000 kg”;

- (c) striking out “9100 kg⁹” in the far right column in the row beginning “**Tandem** (single tires and dual tires) (including tandem equivalent axle)” for spread range “greater than 1.85 m” under “**Maximum Axle Weights For All Other Highways**”, and substituting “15 000 kg;
- (d) striking out “9100 kg³” in the far right column in the row beginning “**Tandem** (dual tires) (including tandem equivalent axle)” for spread range “greater than 1.85 m” under “**Maximum Axle Weights For All Other Highways**”, and substituting “18 000 kg”.

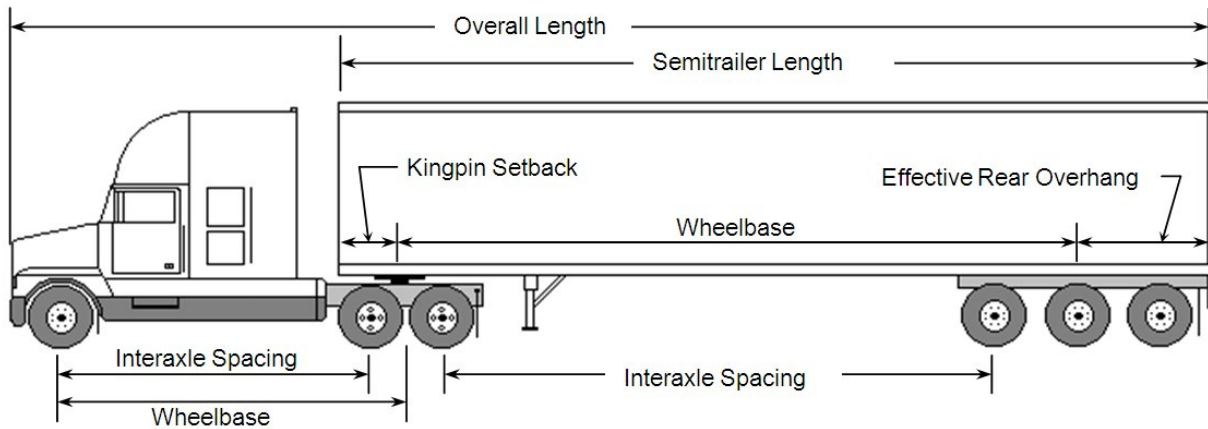
(4) Section C of Part 1 of Schedule A to the regulations is further amended by

- (a) striking out “Until December 31, 2009, this” and substituting “This” in each of footnotes 4, 5, 6, 11, 12, 13, 14, 15, 16 and 17; and
- (b) striking out footnotes 3, 7, 8, 9, 10 and 18.

13 Section E of Part 1 of Schedule A to the regulations is amended by striking out “Effective January 1, 2008, there” and substituting “There”.

14 Category 1: Tractor Semi-trailer of Part 2 of Schedule A to the regulations is repealed and the following is substituted:

Category 1: Tractor Semi-trailer
Section 1 - Dimension Limits



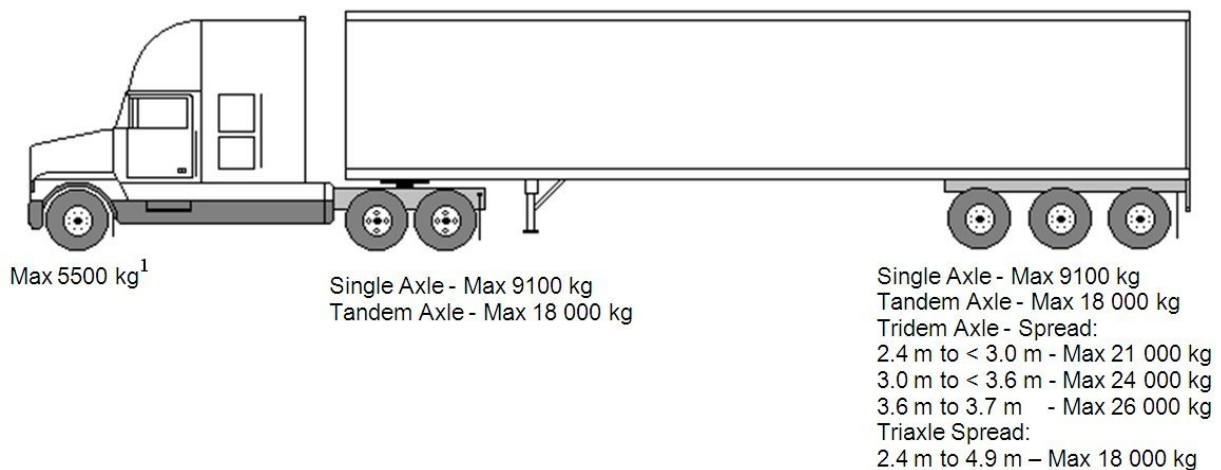
DIMENSION	LIMIT
Overall Length	Maximum 23 m ^{1,2}
Overall Width	Maximum 2.6 m ³
Overall Height	Maximum 4.15 m ⁴
Tractor	
Wheelbase	Maximum 6.2 m ⁵
Tandem axle spread	Minimum 1.2 m/Maximum 1.85 m
Semi-trailer	
Length	Maximum 16.2 m
Wheelbase	Minimum 6.25 m/Maximum 12.5 m ⁶
Kingpin setback	Maximum 2.0 m radius
Effective rear overhang	Maximum 35% of wheelbase ⁷
Tandem axle spread	Minimum 1.2 m/Maximum > 1.85 m

Tridem axle spread	Minimum 2.4 m/Maximum 3.7 m
Triaxle axle spread	Minimum 2.4 m/Maximum 4.8 m
Track width	Minimum 2.5 m/Maximum 2.6 m
Interaxle Spacing	
Single Axle to Single, Tandem, or Tridem Axle	Minimum 3.0 m
Tandem Axle to Tandem Axle	Minimum 5.0 m
Tandem Axle to Tridem Axle	Minimum 5.5 m

- 1 A tractor semi-trailer while being used to transport poles, pipe or material that cannot be dismembered must not exceed a length of 25 m.
- 2 A tractor semi-trailer designed and being used as an auto carrier must not exceed a length of 23 m when not loaded and 25 m when loaded.
- 3 The load of a tractor semi-trailer designed and being used as an auto carrier that overhangs the front or rear of the tractor semi-trailer must not have an overall width that exceeds 2.1 m.
- 4 A tractor semi-trailer designed and being used as an auto carrier must not have an overall height that exceeds 4.15 m when not loaded and 4.30 m when loaded. The driver must ensure there is a safe clearance under any physical overpass, including structures and utility lines.
- 5 A tractor wheelbase can be up to a maximum of 7.2 m, if the wheelbase of the semi-trailer is not greater than the wheelbase as set out in Schedule A-1.
- 6 The minimum wheelbase for a semi-trailer, model year 2002 or earlier, is 3.75 m.
- 7 A tractor semi-trailer designed and being used as an auto carrier must not have a rear overhang that exceeds 35% of the wheelbase when not loaded and 42% of the wheelbase when loaded.

Category 1: Tractor Semi-trailer

Section 2 - Weight Limits



The maximum axle weight limits and maximum gross vehicle weight limits set out in this Section are for axles equipped with dual tires, except for steering axles. The maximum gross vehicle weight limit for a vehicle or combination of vehicles composed of axles equipped with single tires or a combination of single tires and dual tires is the sum of the maximum axle weight limits in Section C—Axle Weight Limits of Part 1—Vehicle Weight and Dimension Limits for the particular axles equipped with single tires or a combination of single tires and dual tires for a specified class of highway. The maximum gross vehicle weight limit of a vehicle or combination of vehicles equipped with single tires or a combination of single and dual tires must not exceed the maximum gross vehicle weight limit of a similar vehicle or combination of vehicles equipped, except for the steering axle, with dual tires for a specified class of highway.

WEIGHT	LIMIT
Axle Weight Limits:	
Steering Axle	Maximum 5500 kg ¹
Single Axle (dual tires)	Maximum 9100 kg
Tandem Axle (including tandem equivalent axle)	
Axle spread 1.2 m to 1.85 m	Maximum 18 000 kg
Axle spread > 1.85 m	Maximum 18 000 kg
Tridem Axle (including tridem equivalent axle)	
Axle spread 2.4 m to less than 3.0 m	Maximum 21 000 kg
Axle spread 3.0 m to less than 3.6 m	Maximum 24 000 kg
Axle spread 3.6 m to 3.7 m	Maximum 26 000 kg
Axle spread greater than 3.7 m	Maximum 18 000 kg ⁴
Triaxle Axle	
Axle spread 2.4 m to less than 3.0 m	Maximum 18 000 kg ²
Axle spread 3.0 m to less than 3.6 m	Maximum 18 000 kg ³
Axle spread 3.6 m to 4.9 m	Maximum 18 000 kg ⁴
Gross Vehicle Weight Limits¹⁸:	
Maximum Weight Roads	
Three axles	Maximum 23 700 kg
Four axles—with tandem spread 1.2 m to 1.85 m	Maximum 32 600 kg
Four axles—with semi-trailer tandem spread > 1.85 m	Maximum 32 600 kg
Five axles—with tandem spreads 1.2 m to 1.85 m	Maximum 41 500 kg
Five axles—with semi-trailer tandem spread > 1.85 m	Maximum 41 500 kg
Five axles—with tridem spread 2.4 m to < 3.0 m	Maximum 35 600 kg
Five axles—with tridem spread 3.0 m to < 3.6 m	Maximum 38 600 kg
Five axles—with tridem spread 3.6 m to 3.7 m	Maximum 40 600 kg
Five axles—with tridem spread > 3.7 m	Maximum 32 600 kg ^{9,11}
Five axles—with triaxle spread 2.4 m to < 3.0 m	Maximum 32 600 kg ^{10,12}
Five axles—with triaxle spread 3.0 m to < 3.6 m	Maximum 32 600 kg ^{10,13}
Five axles—with triaxle spread 3.6 m to 4.9 m	Maximum 32 600 kg ^{10,14}
Six axles—with tridem spread 2.4 m to < 3.0 m	Maximum 44 500 kg
Six axles—with tridem spread 3.0 m to < 3.6 m	Maximum 47 500 kg
Six axles—with tridem spread 3.6 m to 3.7 m	Maximum 49 500 kg
Six axles—with tridem spread > 3.7 m	Maximum 41 500 kg ^{9,16}
Six axles—with triaxle spread 2.4 m to < 3.0 m	Maximum 41 500 kg ⁵
Six axles—with triaxle spread 3.0 m to < 3.6 m	Maximum 41 500 kg ⁶
Six axles—with triaxle spread 3.6 m to 4.9 m	Maximum 41 500 kg ⁷
Intermediate Weight Roads	
Three axles	Maximum 23 700 kg
Four axles—with tandem spread 1.2 m to 1.85 m	Maximum 32 600 kg
Four axles—with semi-trailer tandem spread > 1.85 m	Maximum 32 600 kg
Five axles—with tandem spreads 1.2 m to 1.85 m	Maximum 41 500 kg
Five axles—with semi-trailer tandem spread > 1.85 m	Maximum 41 500 kg
Five axles—with tridem spread 2.4 m to < 3.0 m	Maximum 35 600 kg
Five axles—with tridem spread 3.0 m to < 3.6 m	Maximum 38 600 kg
Five axles—with tridem spread 3.6 m to 3.7 m	Maximum 38 600 kg ⁸
Five axles—with tridem spread > 3.7 m	Maximum 32 600 kg ^{9,15}
Five axles—with triaxle spread 2.4 m to < 3.0 m	Maximum 32 600 kg ¹⁰
Five axles—with triaxle spread 3.0 m to < 3.6 m	Maximum 32 600 kg ¹⁰
Five axles—with triaxle spread 3.6 m to 4.9 m	Maximum 32 600 kg ¹⁰

Six axles—with tridem spread 2.4 m to < 3.0 m	Maximum 44 500 kg
Six axles—with tridem spread 3.0 m to < 3.6 m	Maximum 47 500 kg
Six axles—with tridem spread 3.6 m to 3.7 m	Maximum 47 500 kg ⁸
Six axles—with tridem spread > 3.7 m	Maximum 41 500 kg ^{9,17}
Six axles—with triaxle spread 2.4 m to < 3.0 m	Maximum 41 500 kg ¹⁰
Six axles—with triaxle spread 3.0 m to < 3.6 m	Maximum 41 500 kg ¹⁰
Six axles—with triaxle spread 3.6 m to 4.9 m	Maximum 41 500 kg ¹⁰
All Other Highways	
Three axles	Maximum 23 700 kg
Four axles—with tandem spread 1.2 m to 1.85 m	Maximum 32 600 kg
Four axles—with semi-trailer tandem spread > 1.85 m	Maximum 32 600 kg
Five axles—with tandem spreads 1.2 m to 1.85 m	Maximum 41 500 kg
Five axles—with semi-trailer tandem spread > 1.85 m	Maximum 41 500 kg
Five axles—with tridem spread 2.4 m to < 3.0 m	Maximum 32 600 kg ⁹
Five axles—with tridem spread 3.0 m to < 3.6 m	Maximum 32 600 kg ⁹
Five axles—with tridem spread 3.6 m to 3.7 m	Maximum 32 600 kg ⁹
Five axles—with tridem spread > 3.7 m	Maximum 32 600 kg ⁹
Five axles—with triaxle spread 2.4 m to < 3.0 m	Maximum 32 600 kg ¹⁰
Five axles—with triaxle spread 3.0 m to < 3.6 m	Maximum 32 600 kg ¹⁰
Five axles—with triaxle spread 3.6 m to 4.9 m	Maximum 32 600 kg ¹⁰
Six axles—with tridem spread 2.4 m to < 3.0 m	Maximum 41 500 kg ⁹
Six axles—with tridem spread 3.0 m to < 3.6 m	Maximum 41 500 kg ⁹
Six axles—with tridem spread 3.6 m to 3.7 m	Maximum 41 500 kg ⁹
Six axles—with tridem spread > 3.7 m	Maximum 41 500 kg ⁹
Six axles—with triaxle spread 2.4 m to < 3.0 m	Maximum 41 500 kg ¹⁰
Six axles—with triaxle spread 3.0 m to < 3.6 m	Maximum 41 500 kg ¹⁰
Six axles—with triaxle spread 3.6 m to 4.9 m	Maximum 41 500 kg ¹⁰

- 1 The maximum steering axle weight can be as high as 9100 kg for a vehicle or combination of vehicles if the load-carrying capacity of the axle, tires, and all other components is not exceeded, and the tire loading does not exceed 10 kg/mm of width; however, the maximum gross vehicle weight limit will be based on a steering axle weight of 5500 kg.
- 2 This weight limit is 21 000 kg for a semi-trailer model year 2002 and earlier.
- 3 This weight limit is 24 000 kg for a semi-trailer model year 2002 and earlier.
- 4 This weight limit is 26 000 kg for a semi-trailer model year 2002 and earlier.
- 5 This weight limit is 44 500 kg for a semi-trailer model year 2002 and earlier.
- 6 This weight limit is 47 500 kg for a semi-trailer model year 2002 and earlier.
- 7 This weight limit is 49 500 kg for a semi-trailer model year 2002 or earlier.
- 8 The maximum tridem axle weight is 24 000 kg.
- 9 The maximum tridem axle weight is 18 000 kg.
- 10 The maximum triaxle weight is 18 000 kg.
- 11 This weight limit is 40 600 kg and the maximum tridem axle weight is 26 000 kg for a semi-trailer model year 2002 and earlier.
- 12 This weight limit is 35 600 kg and the maximum triaxle weight is 21 000 kg for a semi-trailer model year 2002 and earlier.
- 13 This weight limit is 38 600 kg and the maximum triaxle weight is 24 000 kg for a semi-trailer model year 2002 and earlier.
- 14 This weight limit is 40 600 kg and the maximum triaxle weight is 26 000 kg for a semi-trailer model year 2002 and earlier.
- 15 This weight limit is 38 600 kg and the maximum tridem axle weight is 24 000 kg for a semi-trailer model year 2002 and earlier.
- 16 This weight limit is 49 500 kg and the maximum triaxle weight is 26 000 kg for a semi-trailer model 2002 and earlier.
- 17 This weight limit is 47 500 kg and the maximum triaxle weight is 24 000 kg for a semi-trailer model year 2002 and earlier.

- 18 The maximum axle weight on Maximum Weight Roads, Intermediate Weight Roads and B-train Routes for a semi-trailer, model year 2002 and earlier, with a wheelbase less than 6.25 m but at least 3.75 m, shall be reduced by the weight as set out in Schedule A-4.
- 15 Section 2 of Category 2: A Train Double of Part 2 of Schedule A to the regulations is amended by
- (a) striking out superscript “2” immediately after “Maximum 41 900 kg” in the right-hand column of the row beginning “Five axles” under “**Maximum Weight Roads**”;
 - (b) striking out superscript “3” immediately after “Maximum 50 800 kg” in the right-hand column of the row beginning “Six axles” under “**Maximum Weight Roads**”;
 - (c) striking out superscript “4” immediately after “Maximum 53 500 kg” in the right-hand column of the row beginning “Seven axles” under “**Maximum Weight Roads**”;
 - (d) striking out superscript “5” immediately after “Maximum 53 500 kg” in the right-hand column of the row beginning “Eight axles” under “**Maximum Weight Roads**”; and
 - (e) striking out footnotes 2, 3, 4 and 5.
- 16 Section 2 of Category 3: B Train Double of Part 2 of Schedule A to the regulations is amended by
- (a) striking out superscript “2” immediately after “Maximum 32 800 kg” in the right-hand column of the row beginning “Four axles” under “**Maximum Weight Roads**”;
 - (b) striking out superscript “3” immediately after “Maximum 41 700 kg” in the right-hand column of the row beginning “Five axles” under “**Maximum Weight Roads**”;
 - (c) striking out superscript “4” immediately after “Maximum 50 600 kg” in the right-hand column of the row beginning “Six axles” under “**Maximum Weight Roads**”;
 - (d) striking out superscript “5” immediately after “Maximum 59 500 kg” in the right-hand column of the row beginning “Seven axles” under “**Maximum Weight Roads**”;
 - (e) striking out superscript “6” immediately after “Maximum 62 500 kg” in the right-hand column of the row beginning “Eight axles” under “**Maximum Weight Roads**”; and
 - (f) striking out footnotes 2, 3, 4, 5 and 6.
- 17 Section 2 of Category 4: C Train Double of Part 2 of Schedule A to the regulations is amended by
- (a) striking out superscript “2” immediately after “Maximum 41 900 kg” in the right-hand column of the row beginning “Five axles” under “**Maximum Weight Roads**”;
 - (b) striking out superscript “3” immediately after “Maximum 50 800 kg” in the right-hand column of the row beginning “Six axles” under “**Maximum Weight Roads**”;
 - (c) striking out superscript “4” immediately after “Maximum 55 600 kg” in the right-hand column of the row beginning “Seven axles” under “**Maximum Weight Roads**”;
 - (d) striking out superscript “5” immediately after “Maximum 58 500 kg” in the right-hand column of the row beginning “Eight axles” under “**Maximum Weight Roads**”; and

- (e) striking out footnotes 2, 3, 4 and 5.

18 Section 1 of Category 5: Straight Truck of Part 2 of Schedule A to the regulations is amended by

- (a) adding superscript “1” immediately after “Minimum 1.2 m/Maximum 1.85 m” in the right-hand column of the row beginning “**Tandem Axle Spread**”; and
- (b) adding the following footnote:
- ¹ Maximum tandem steering axle spread is 2.2 m.

19 Section 2 of Category 5: Straight Truck of Part 2 of Schedule A to the regulations is amended by

- (a) adding superscript “2” immediately after “Maximum 34 000 kg” in the right-hand column of the row beginning “Four axles” under “**Maximum Weight Roads**”; and
- (b) adding superscript “2” immediately after “Maximum 34 000 kg” in the right-hand column of the row beginning “Four axles” under “**Intermediate Weight Roads**”; and
- (c) adding superscript “2” immediately after “Maximum 34 000 kg” in the right-hand column of the row beginning “Four axles” under “**All Other Highways**”; and
- (d) adding the following footnote after footnote 1:
- ² This weight limit is decreased in accordance with subsection 7(2) for a tandem steering axle truck that does not meet the interaxle spacing limit of 3.65 m.

20 Section 1 of Category 6: Truck-Pony Trailer Combination of Part 2 of Schedule A to the regulations is amended by

- (a) adding superscript “2” immediately after “Minimum 2.4 m/ Maximum 2.5 m” in the right-hand column of the row beginning “Tridem axle spread” under “**Pony Trailer**”¹; and
- (b) adding the following footnote after footnote 1:
- ² For a pony trailer, model year 2002 and earlier, the maximum tridem axle spread is 3.7 m.

21 Section 2 of Category 6: Truck - Pony Trailer Combination of Part 2 of Schedule A to the regulations is amended by

- (a) adding superscript “2” immediately after “Maximum 18 000 kg” in the right-hand column in the row beginning “Axle spread 1.2 m to 1.85 m”; and
- (b) adding superscript “3” immediately after “Axle spread 2.4 m - 2.5 m” in the left-hand column under “**Tridem Axle**”; and
- (c) adding superscript “4” immediately after “Maximum 21 000 kg” in the right-hand column in the row beginning “Axle spread 2.4 m - 2.5 m”³; and
- (d) striking out superscript “2” immediately after “Maximum 41 500 kg” in the right-hand column of the row beginning “Five axles” under “**Intermediate Weight Roads**”; and

- (e) striking out superscript “2” immediately after “Maximum 41 500 kg” in the right-hand column of the row beginning “Six axles” under “**Intermediate Weight Roads**”;
- (f) striking out superscript “2” immediately after “Maximum 41 500 kg” in the right-hand column of the row beginning “Five axles” under “**All Other Highways**”;
- (g) striking out superscript “2” immediately after “Maximum 41 500 kg” in the right-hand column of the row beginning “Six axles” under “**All Other Highways**”; and
- (h) striking out footnote 2 and substituting the following:
 - ² The maximum axle weight of a 2-axle pony trailer, model year 2002 and earlier and with a wheelbase less than 6.25 m, shall be reduced by the weight set out in Schedule A-2.
- (i) adding the following footnotes immediately after footnote 2:
 - ³ For a pony trailer, model year 2002 and earlier, the maximum tridem axle spread is 3.7 m.
 - ⁴ The maximum axle weight of a 3-axle pony trailer that is model year 2002 and earlier and has a wheelbase less than 6.25 m shall be reduced by the weight set out in Schedule A-3.

22 Section 1 of Category 7: Tandem Steering Axle Truck-Pony Trailer Combination of Part 2 of Schedule A to the regulations is amended by

- (a) striking out “1.85 m” in “Minimum 1.2 m/Maximum 1.85 m” in the right-hand column of the row beginning “Tandem steering axle spread” under “**Truck**” and substituting “2.2 m”;
- (b) adding superscript “2” immediately after “Minimum 2.4 m/ Maximum 2.5 m” in the right-hand column of the row beginning “Tridem axle spread” under “**Pony Trailer**¹”; and
- (c) adding the following footnote after footnote 1:
 - ² For a pony trailer, model year 2002 and earlier, the maximum tridem axle spread is 3.7 m.

23 Section 2 of Category 7: Tandem Steering Axle Truck-Pony Trailer Combination of Part 2 of Schedule A to the regulations is amended by

- (a) striking out “1.85 m” in “Tandem Steering Axle: spread 1.2 m to 1.85 m” in the left-hand column under “**Truck**” and substituting “2.2 m”;
- (b) adding superscript “1” immediately after “Maximum 18 000 kg” in the right-hand column of the row beginning “Tandem axle: spread 1.2 m to 2.2 m”;
- (c) adding superscript “2” immediately after “Tridem Axle: spread 2.4 m to 2.5 m” in the left-hand column under “**Trailer**”;

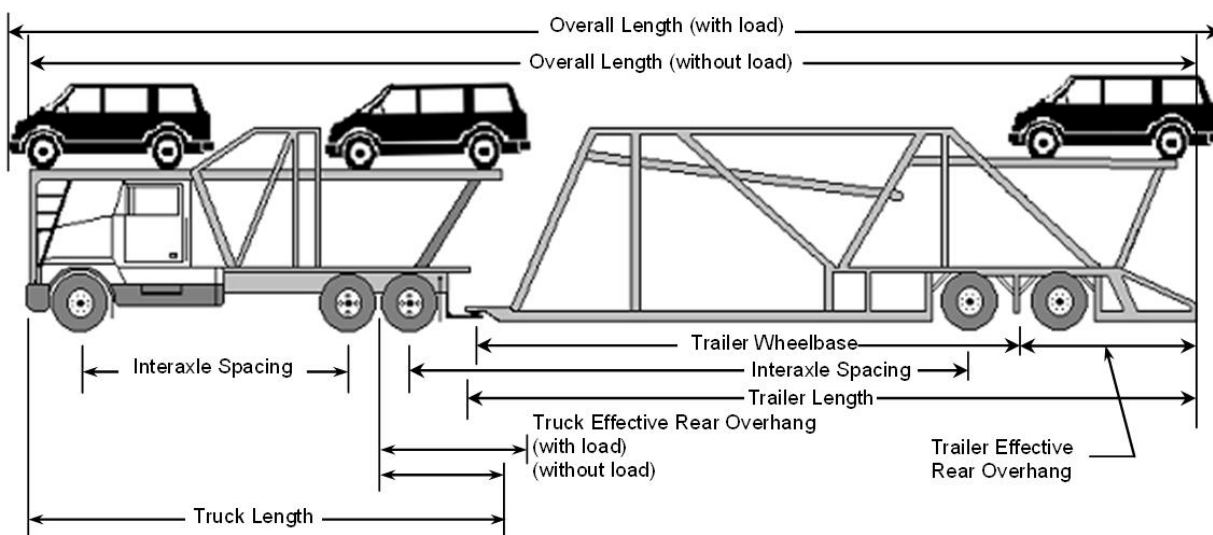
- (d) adding superscript “3” immediately after “21 000 kg” in the right-hand column of the row beginning “Tridem Axle: spread 2.4 m to 2.5 m²”;
- (e) adding a superscript “4” immediately after “Maximum 43 100 kg” in the right-hand column of the row beginning “Five axles” under “**Maximum Weight Roads**”;
- (f) adding a superscript “4” immediately after “Maximum 50 000 kg” in the right-hand column of the row beginning “Six axles” under “**Maximum Weight Roads**”;
- (g) striking out superscript “1” immediately after “Maximum 53 500 kg” in the right-hand column of the row beginning “Seven axles” under “**Maximum Weight Roads**” and substituting superscript “4”;
- (h) striking out superscript “2” immediately after “Maximum 41 500 kg” in the right-hand column of the row beginning “Five axles” under “**Intermediate Weight Roads**” and substituting superscript “4”;
- (i) striking out superscript “2” immediately after “Maximum 41 500 kg” in the right-hand column of the row beginning “Six axles” under “**Intermediate Weight Roads**” and substituting superscript “4”;
- (j) striking out superscript “2” immediately after “Maximum 41 500 kg” in the right-hand column of the row beginning “Seven axles” under “**Intermediate Weight Roads**” and substituting superscript “4”;
- (k) striking out superscript “2” immediately after “Maximum 41 500 kg” in the right-hand column of the row beginning “Five axles” under “**All Other Highways**” and substituting superscript “4”;
- (l) striking out superscript “2” immediately after “Maximum 41 500 kg” in the right-hand column of the row beginning “Six axles” under “**All Other Highways**” and substituting superscript “4”;
- (m) striking out superscript “2” immediately after “Maximum 41 500 kg” in the right-hand column of the row beginning “Seven axles” under “**All Other Highways**” and substituting superscript “4”;
- (n) striking out footnotes 1 and 2 and substituting the following:
 - ¹ The maximum axle weight of a 2-axle pony trailer that is model year 2002 and earlier and has a wheelbase less than 6.25 m, shall be reduced by the weight set out in Schedule A-2.
 - ² For a pony trailer, model year 2002 and earlier, the maximum tridem axle spread is 3.7 m.
- (o) adding the following footnotes immediately after footnote 2:
 - ³ The maximum axle weight of a 3-axle pony trailer that is model year 2002 and earlier and has a wheelbase less than 6.25 m shall be reduced by the weight set out in Schedule A-3.
 - ⁴ This weight limit is decreased in accordance with subsection 7(2) for a combination of vehicles with a tandem steering axle truck that does not meet the interaxle spacing limit of 3.65 m.

- 24 Section 2 of Category 8: Truck-Full Trailer Combination of Part 2 of Schedule A to the regulations is amended by
- (a) striking out superscript “2” immediately after “Maximum 53 500 kg” in the right-hand column of the row beginning “Seven axles” under “**Maximum Weight Roads**”;
 - (b) striking out superscript “3” immediately after “Maximum 41 500 kg” in the right-hand column of the row beginning “Five axles” under “**Intermediate Weight Roads**”;
 - (c) striking out superscript “3” immediately after “Maximum 41 500 kg” in the right-hand column of the row beginning “Six axles” under “**Intermediate Weight Roads**”;
 - (d) striking out superscript “3” immediately after “Maximum 41 500 kg” in the right-hand column of the row beginning “Seven axles” under “**Intermediate Weight Roads**”;
 - (e) striking out superscript “3” immediately after “Maximum 41 500 kg” in the right-hand column of the row beginning “Five axles” under “**All Other Highways**”;
 - (f) striking out superscript “3” immediately after “Maximum 41 500 kg” in the right-hand column of the row beginning “Six axles” under “**All Other Highways**”;
 - (g) striking out superscript “3” immediately after “Maximum 41 500 kg” in the right-hand column of the row beginning “Seven axles” under “**All Other Highways**”; and
 - (h) striking out footnotes 2 and 3.
- 25 Section 1 of Category 9: Tandem Steering Axle Truck-Full Trailer Combination of Part 2 of Schedule A to the regulations is amended by striking out “1.85 m” in “Minimum 1.2 m/Maximum 1.85 m” in the right-hand column of the row beginning “Tandem steering axle spread” under “**Truck**” and substituting “2.2 m”.
- 26 Section 2 of Category 9: Tandem Steering Axle Truck-Full Trailer Combination of Part 2 of Schedule A to the regulations is amended by
- (a) striking out superscript “2” immediately after “Maximum 41 500 kg” in the right-hand column of the row beginning “Six axles” under “**Intermediate Weight Roads**” and substituting a superscript “1”;
 - (b) striking out superscript “2” immediately after “Maximum 41 500 kg” in the right-hand column of the row beginning “Seven axles” under “**Intermediate Weight Roads**” and substituting a superscript “1”;
 - (c) striking out superscript “2” immediately after “Maximum 41 500 kg” in the right-hand column of the row beginning “Eight axles” under “**Intermediate Weight Roads**” and substituting a superscript “1”;
 - (d) striking out superscript “2” immediately after “Maximum 41 500 kg” in the right-hand column of the row beginning “Six axles” under “**All Other Highways**” and substituting a superscript “1”;
 - (e) striking out superscript “2” immediately after “Maximum 41 500 kg” in the right-hand column of the row beginning “Seven axles” under “**All Other Highways**” and substituting a superscript “1”;

- (f) striking out superscript “2” immediately after “Maximum 41 500 kg” in the right-hand column of the row beginning “Eight axles” under **All Other Highways** and substituting a superscript “1”;
- (g) striking out footnotes 1 and 2 and substituting the following:
 - ¹ This weight limit is decreased in accordance with subsection 7(2) for a combination of vehicles with a tandem steering axle truck that does not meet the interaxle spacing limit of 3.65 m.

27 Part 2 of Schedule A to the regulations is amended by adding the following after Category 10:

Category 11: Stinger Steer Auto Carrier
Section 1 - Dimension Limits



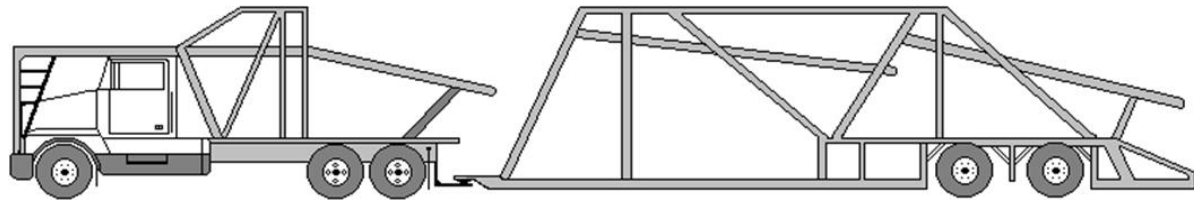
DIMENSION	LIMIT
Overall Length - without load	Maximum 23 m
- with load	Maximum 25 m
Overall Width	Maximum 2.6 m ¹
Overall Height - without load	Maximum 4.15 m
- with load	Maximum 4.3 m ²
Truck	
Overall Length	Maximum 12.5 m
Tandem Axle Spread	Minimum 1.2 m/Maximum 1.85 m
Load Overhang at front of truck (beyond truck bumper)	Maximum 1.0 m
Effective Rear Overhang - without load	Maximum 4.0 m
- with load	Maximum 4.6 m
Trailer	
Length	Maximum 14.65 m
Wheelbase	Minimum 6.25 m/Maximum 12.5 m
Effective Rear Overhang	Maximum 4 m or 42% of wheelbase, whichever is greater
Load overhang at rear of trailer	Maximum 1.2 m
Track Width	Maximum 2.6 m

Interaxle Spacings	
Single Axle to Single or Tandem Axle	Minimum 3.0 m
Tandem Axle to Tandem Axle	Minimum 5.0 m

- 1 The maximum width for any load overhanging the front or rear of the combination of vehicles is 2.1 m.
- 2 The driver must ensure there is a safe clearance under any physical overpass, including structures and utility lines.

Category 11: Stinger Steer Auto Carrier

Section 2 - Weight Limits



Max 5500 kg¹

Single Axle - Max 9100 kg
Tandem Axle - Max 18 000 kg

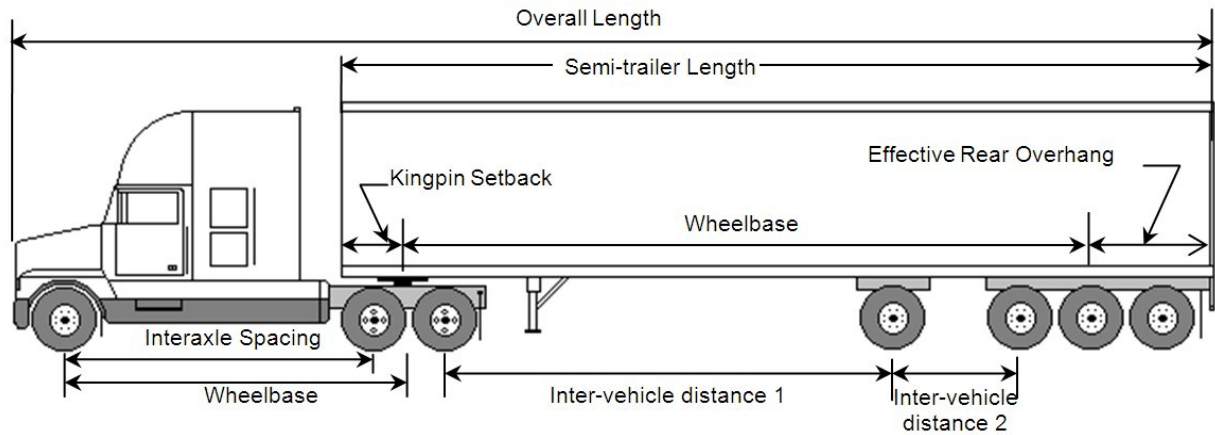
Single Axle - Max 9100 kg
Tandem Axle - Max 18 000 kg

The maximum axle weight limits and maximum gross vehicle weight limits set out in this Section are for axles equipped with dual tires, except for steering axles. The maximum gross vehicle weight limit for a vehicle or combination of vehicles composed of axles equipped with single tires or a combination of single tires and dual tires is the sum of the maximum axle weight limits in Section C—Axle Weight Limits of Part 1—Vehicle Weight and Dimension Limits for the particular axles equipped with single tires or a combination of single tires and dual tires for a specified class of highway. The maximum gross vehicle weight limit of a vehicle or combination of vehicles equipped with single tires or a combination of single and dual tires must not exceed the maximum gross vehicle weight limit of a similar vehicle or combination of vehicles equipped, except for the steering axle, with dual tires for a specified class of highway.

WEIGHT	LIMIT
Axle Weights Limits	
Steering Axle	Maximum 5500 kg ¹
Single Axle (dual tires)	Maximum 9100 kg
Tandem Axle (including tandem equivalent axle)	
Axle Spread 1.2 m to 1.85 m	Maximum 18 000 kg
Maximum Weight Roads	
Three Axles	Maximum 23 700 kg
Four Axles	Maximum 32 600 kg
Five Axles	Maximum 41 500 kg
Intermediate Weight Roads	
Three Axles	Maximum 23 700 kg
Four Axles	Maximum 32 600 kg
Five Axles	Maximum 41 500 kg
All Other Highways	
Three Axles	Maximum 23 700 kg
Four Axles	Maximum 32 600 kg
Five Axles	Maximum 41 500 kg

- 1 The maximum steering axle weight can be as high as 9100 kg for a vehicle or combination of vehicles if the load-carrying capacity of the axle, tires, and all other components is not exceeded and the tire loading does not exceed 10 kg/mm of width; however, the maximum gross vehicle weight limit will be based on a steering axle weight of 5500 kg.

Category 12: Tractor Self-Steering Quad Axle Semi-trailer
Section 1 - Dimension Limits

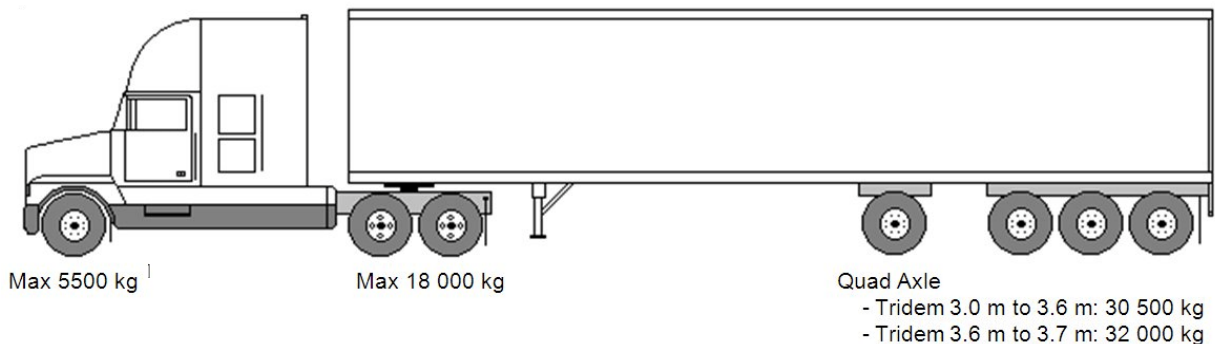


DIMENSION	LIMIT
Overall Length	Maximum 23 m
Overall Width	Maximum 2.6 m
Overall Height	Maximum 4.15 m
Tractor	
Wheelbase	Maximum 6.2 m
Tandem axle spread	Minimum 1.2 m/Maximum 1.85 m
Semi-trailer¹	
Length	Maximum 16.2 m
Wheelbase	Maximum 12.5 m
Kingpin Setback	Maximum 2.0 m radius
Effective Rear Overhang	Maximum 35% of wheelbase
Tridem axle spread ²	Minimum 3.0 m/Maximum 3.7 m
Inter-vehicle distance 1	
- tridem spread 3.0 m to 3.7 m	Minimum 6.0 m
- tridem spread 3.6 m to 3.7 m	Minimum 5.5 m
Inter-vehicle distance 2	Minimum > 2.5 m/Maximum 3.0 m
Track Width	Minimum 2.5 m/Maximum 2.6 m
Interaxle Spacing	
Steering axle to Tandem Axle	Minimum 3.0 m

- 1 The semi-trailer may be used only to carry dry bulk products, liquid bulk products and raw forest products. The semi-trailer, if used to carry liquid bulk products, must be equipped with an electronic vehicle stability system.
- 2 The tridem axle must utilize a full air suspension system.

Category 12: Tractor Self-Steering Quad Axle Semi-trailer
--

Section 2 - Weight Limits



WEIGHT	LIMIT
Axle Weights Limits	
Steering Axle	Maximum 5500 kg ¹
Self-Steering Axle²	Maximum 8000 kg
Tandem Axle (including tandem equivalent axle)	
Axle Spread 1.2 m to 1.85 m	Maximum 18 000 kg
Self-Steering Quad Axle³	
Tridem axle spread 3.0 m to less than 3.6 m	Maximum 30 500 kg
Tridem axle spread 3.6 m to 3.7 m	Maximum 32 000 kg
Gross Vehicle Weight Limits	
Maximum Weight Roads	
Seven axles - tridem 3.0 m to less than 3.6 m	Maximum 54 000 kg
Seven axles - tridem 3.6 m to 3.7 m	Maximum 55 500 kg
Intermediate Weight Roads	Not allowed
All Other Highways	Not allowed

- 1 The maximum steering axle weight can be as high as 9100 kg for a vehicle or combination of vehicles if the load-carrying capacity of the axle, tires, and all other components is not exceeded and the tire loading does not exceed 10 kg/mm of width; however, the maximum gross vehicle weight limit will be based on a steering axle weight of 5500 kg.
 - 2 The self-steering axle may be equipped with single tires with a minimum width of 365 mm, or with dual tires. The self-steering axle may be liftable, but the controls, whether remote or manual, to raise or lower the self-steering axle must be located on the semi-trailer only, except for a semi-trailer used to carry raw forest products where the control may be in the cab of the tractor. The self-steering axle may be automatically raised when the vehicle is reversing. The self-steering axle may be manually raised to provide emergency drive axle traction, but only if the controls to manually raise the self-steering axle do not activate unless the emergency 4-way flashers are activated, and the controls must include a device which prevents the raising the self-steering axle at any speed greater than 60 km/hr.
 - 3 The self-steering quad axle semi-trailer must be equipped with a device that accurately displays the total weight on the self-steering quad axle in kilograms, or with a device and a table or chart from the combined use of which the total weight on the self-steering quad axle in kilograms may be readily and accurately obtained.
- 28 The regulations are further amended by adding the following Schedules immediately after Schedule A:

**Schedule A-1
Maximum Semi-trailer Wheelbases**

Tractor Wheelbase	Maximum Semi-trailer Wheelbase
6.2 m and greater	12.50 m
> 6.2 m to 6.3 m	12.47 m
> 6.3 m to 6.4 m	12.40 m
> 6.4 m to 6.5 m	12.33 m
> 6.5 m to 6.6 m	12.27 m
> 6.6 m to 6.7 m	12.20 m
> 6.7 m to 6.8 m	12.13 m
> 6.8 m to 6.9 m	12.07 m
> 6.9 m to 7.0 m	12.00 m
> 7.0 m to 7.1 m	11.93 m
> 7.1 m to 7.2 m	11.87 m

**Schedule A-2
2-axle Pony Trailer Axle Weight Reduction
for Pony Trailers Model Year 2002 and Earlier**

Wheelbase	Axle Weight Reduction
6.25 m or greater	0 kg
5.75 m to < 6.25 m	1000 kg
5.25 m to < 5.75 m	2000 kg
4.75 m to < 5.25 m	3000 kg
4.25 m to < 4.75 m	4000 kg
3.75 m to < 4.25 m	5000 kg
3.25 m to < 3.75 m	6000 kg

Schedule A-3
3-axle Pony Trailer Axle Weight Reduction
for Pony Trailers Model Year 2002 and Earlier

Wheelbase	Axle Weight Reduction
6.25 m or greater	0 kg
5.75 m to < 6.25 m	1000 kg
5.25 m to < 5.75 m	2000 kg
4.75 m to < 5.25 m	3250 kg
4.25 m to < 4.75 m	4500 kg
3.75 m to < 4.25 m	6000 kg
3.25 m to < 3.75 m	7500 kg

Schedule A-4
Semi-trailer Axle Weight Reduction
for Semi-trailers Model Year 2002 and Earlier

Wheelbase	Axle Weight Reduction		
	Maximum Weight Roads	Intermediate Weight Roads	B-train Routes
6.25 m or greater	0 kg	0 kg	0 kg
5.75 m to < 6.25 m	1000 kg	0 kg	0 kg
5.25 m to < 5.75 m	2000 kg	0 kg	0 kg
4.75 m to < 5.25 m	3000 kg	1000 kg	1000 kg
4.25 m to < 4.75 m	4000 kg	2000 kg	2000 kg
3.75 m to < 4.25 m	5000 kg	3000 kg	3000 kg

29 Schedule B to the regulations is amended by

- (a) adding the following item immediately after item 1 in the list of roads for Cape Breton County:
 2. **Route 223**, from Highway 125 to Ferguson Road, 7.6 km.
- (b) striking out item 4(a) in the list of roads for Colchester County;
- (c) striking out item 5 in the list of roads for Colchester County and substituting the following item:
 5. **Trunk 6**, from Cumberland/Colchester County line easterly to Colchester/Pictou County line, 23.5 km.

- (d) striking out items 6 and 7(b) in the list of roads for Colchester County;
- (e) striking out items 95(c) and (d) in the list of roads in Colchester County;
- (f) striking out item 98(a) in the list of roads for Colchester County and substituting the following item:
 - 98. (a) **Valleydale Road**, from old Greenfield Road to Greenfield Road, 2.2 km;
- (g) adding the following items immediately after item 103 in the list of roads for Cumberland County:
 - 104. **Trunk 6**, from Route 366 to Amherst town line, 1.8 km.
 - 105. **Fenwick Road**, from Mines Road to Route 302, 1.6 km.
 - 106. **Hastings Road**, from Hastings Cross Road southerly to Travis Road, 4.0 km.
 - 107. **Hastings Cross Road**, from Trunk 6 southerly, 0.2 km.
 - 108. **Mines Road**, from Route 302 to Fenwick Road, 7.2 km.
 - 109. **Shulie Road**, from 0.45 km southwest of Fields Bridge southwesterly to Game Sanctuary Road, 7.3 km.
 - 110. **South Brook Road**, from Trunk 2 to end of listing, 5.7 km.
 - 111. **Travis Road**, from Hastings Road westerly 3.2 km.
- (h) striking out item 12 in the list of roads for Digby County and substituting the following item:
 - 12. **Route 217**, from East Ferry northeasterly to Upper Cross Road, 44.2 km.
- (i) adding the following items immediately after item 32 in the list of roads for Digby County:
 - 33. **Trunk 1**, from Lombard Road to Highway 101, 0.1 km.
 - 34. **Culloden Road**, from Route 217 at Roxville northerly to Daley Quarry, 1.8 km.
 - 35. **Lewiston Road**, from Highway 101 southeasterly, 2.0 km.
 - 36. **Lombard Road**, from Trunk 1 to end of listing, 1.4 km.
 - 37. **Ridge Road**, from North Range Cross Road westerly to French Road, 5.1 km.
 - 38. **Upper Cross Road**, from Flat Iron West Road northerly to Route 217, 1.4 km.
- (j) adding the following items immediately after item 32 in the list of roads for Hants County:
 - 33. **Trunk 1**, from Highway 101 interchange ramps at Exit 14 easterly to Ellershouse Road, 2.3 km.

34. **Trunk 2**, from Shaw Brick northerly to Trunk 14, 9.3 km.
 35. **Trunk 14**, from Highway 101 at Exit 5 easterly to Route 215 in Brooklyn, 9.3 km.
 36. **Trunk 14**, from Trunk 2 to the Highway 102 interchange ramps at Exit 9, 0.8 km.
 37. **Route 215**, from Trunk 14 to Route 236, 1.0 km.
 38. **Route 215**, from Route 236 near the Gosse Bridge westerly to Selma Sod Farms in Selma, 11.5 km.
 39. **Route 236**, from Route 215 to Scotch Village Station Road, 4.8 km.
 40. **Ellershouse Road**, from Trunk 1 at Ellershouse southerly to Williams Road, 1.8 km.
 41. **Highway 101 Parallel Access Road**, from Williams Road easterly to end of listing.
 42. **North River Road**, from Scotch Village Station Road to Walton Woods Road, 0.7 km.
 43. **Scotch Village Station Road**, from Route 236 to North River Road, 0.8 km.
 44. **Walton Woods Road**, from North River Road to West Hants Landfill, 8.1 km.
 45. **Williams Road**, from Ellershouse Road southerly to Highway 101 Parallel Access Road, 0.7 km.
- (k) adding the following items immediately after item 13 in the list of roads for Inverness County:
14. **Ashfield Road**, from Orangedale Road to South West Ashfield Road, 4.7 km.
 15. **MacIntyre Mountain Road**, from Highway 105 northwesterly, 3.5 km.
- (l) adding the following items immediately after item 19 in the list of roads for Lunenburg County:
20. **Route 325**, from Cornwall Road at Blockhouse southwesterly to Northfield Road near Maitland, 4.4 km.
 21. **Feeners Corner Road**, from Northfield Road near Upper Northfield southerly to Five Pound Road, 1.7 km.
 22. **Five Pound Road**, from Feeners Corner Road southwesterly to Trunk 10 at Northfield, 1.4 km.
 23. **Lake Lawson Road**, from Windsor Road near New Ross southerly to Trunk 12, 2.0 km.
 24. **Northfield Road**, from Route 325 near Maitland northwesterly to Cherryfield Road at Cherryfield, 7.2 km.

(m) adding the following items immediately after item 1 in the list of roads for Shelburne County:

2. **Route 309**, from Trunk 3 at Barrington southerly to Port LaTour Road, 11.1 km.
3. **Old Post Road**, from Trunk 3 at Barrington westerly to Route 309, 0.5 km.

30 Schedule C to the regulations is amended by

(a) adding the following clause immediately after clause 1(bz):

(ca) **Trunk 14**, from Curry's Corner westerly to Blain Daniels Pit, 11.4 km.

(b) adding the following clauses immediately after clause 4(bc):

(bd) **Salmon River Road**, from Trunk 4 (Pictou Road) southeasterly to Valley Road, 1.2 km.

(be) **Valley Road**, from Salmon River Road south easterly to Valleydale Road, 0.5 km.

(bf) **Valleydale Road**, from Valley Road southerly to Old Greenfield Road, 0.3 km.

31 Schedule D to the regulations is repealed and the following Schedule substituted:

Schedule D Intermediate Weight Roads

Annapolis County

1. **Trunk 1**, from Vault Road easterly to Kings County line, 2.1 km.
2. **Trunk 1**, from Mount Hanley Road easterly to Department Garage 0.4 km west of Brooklyn Street, 4.1 km.
3. **Trunk 1**, from Elliott Road easterly to McKeown Bridge, 4.2 km.
4. **Trunk 1**, from CFB Cornwallis at Clementsport easterly to Annapolis Royal town line, 15.3 km.
5. **Trunk 10**, from Middleton town line southerly to Lunenburg County line, 49.2 km.
6. **Route 201**, from Trout Lake Mountain Road easterly to Trunk 10 at Nictaux, 10.8 km.
7. **Route 201**, from Al Haley Road easterly to Morses Bridge, 11.9 km.
8. **Route 201**, from Trunk 8 near Lequille easterly to Cape Road, 1.0 km.
9. **Route 221**, from Trunk 1 near Wilmot northerly to Kings County line, 4.9 km.
10. **Route 362**, from Brooklyn Street northerly to Lewis Road, 2.3 km.
11. **Air Force Camp Road**, from Saw Dust Road southerly to Trunk 10, 1.6 km.
12. **Alden R Hubley Road**, from Route 201 northerly to end of listing, 0.2 km.
13. **Aldred Road**, from Route 221 easterly to Trunk 1, 0.8 km.
14. **Alpena Road**, from Inglisville Road southerly to Trunk 10, 3.4 km.
15. **Arlington Road**, from Hampton Mountain Road easterly to Elliott Road, 11.0 km.
16. **Ben Phinney Road**, from Stronach Mountain Road northerly to Route 362 in Margaretsville, 7.4 km.

17. **Brent Road**, from Trunk 1 northerly to end of listing, 1.9 km.
18. **Brickyard Road**, from Route 201 northerly to Bridgetown town line, 1.9 km.
19. **Brown Road**, from Elliott Road easterly to Mount Hanley Road, 7.4 km.
20. **Burns Hill Road**, from Waldec Line Road northerly to Trunk 1, 1.4 km.
21. **Cherryfield Road**, from East Dalhousie Road southerly to Lunenburg County line, 8.1 km.
22. **Chute Road**, from Clementsvale Road easterly to Purdy Road, 1.8 km.
23. **Clementsvale Road**, from Digby County line easterly to Virginia Road, 10.6 km.
24. **Crisp Road**, from Route 201 southerly to Trunk 10 at New Albany, 8.5 km.
25. **Daniels Road**, from Mount Hanley Road westerly to Douglas Road, 3.0 km.
26. **Dunn Road**, from Purdy Road southerly to Clementsvale Road, 3.1 km.
27. **East Dalhousie Road**, from Ridge Road easterly to Kings County line, 8.4 km.
28. **Elliott Road**, from Arlington Road northerly to Brown Road, 2.3 km.
29. **Forest Glade Road**, from Ruggles Road easterly to Kings County line, 5.9 km.
30. **Fraser Road**, from Trunk 1 northerly to end of listing, 1.8 km.
31. **Gates Mountain Road**, from Route 362 northerly to Shore East Road, 4.9 km.
32. **Grafton Road**, from Trunk 8 southerly to Queens County line, 3.7 km.
33. **Grant Road**, from Arlington Road northerly to School House Road, 2.3 km.
34. **Hampton Mountain Road**, from Arlington Road northerly to Shore West Road at Hampton, 2.3 km.
35. **Haul Road**, from Granville Road northerly to Causeway Quarry, 2.7 km.
36. **Inglisville Road**, from Crisp Road easterly to Alpena Road, 2.9 km.
37. **Jefferson Road**, from Greenland Road northerly to Clementsvale Road, 2.6 km.
38. **Junction Road**, from Route 362 westerly to Brooklyn Connector, 1.4 km.
39. **Kedge Landing Road**, from Grafton Road westerly to Kejimkujik Park Boundary, 0.5 km.
40. **Keiths Lane**, from Route 201 northerly to Middle Road, 0.8 km.
41. **Lake Torment Road**, from Trunk 8 southerly to end of listing at Lake Torment, 2.3 km.
42. **Lawrencetown Lane**, from Trunk 1 southerly to Route 201, 1.0 km.
43. **Lewis Road**, from Route 362 northerly to Lily Lake Road, 1.5 km.
44. **Lily Lake Road**, from Ruggles Road westerly to Mount Hanley Road, 10.6 km.
45. **Mary Jane Riley Road**, from Highway 101 southerly to Clementsvale Road, 3.1 km.
46. **Middlesex Road**, from Upper River Road easterly to Jefferson Road, 3.2 km.
47. **Milbury Lake Road**, from Youngs Mountain Road westerly to end of maintained section, 1.3 km.
48. **Mount Hanley Road**, from Trunk 1 in Brickton northerly to Shore East Road near Port George, 10.0 km.
49. **Neily South Road**, from Trunk 10 westerly to Neily Road, 1.1 km.
50. **Nictaux Falls Road**, from Trunk 10 northerly to Trunk 10, 0.9 km.

51. **Old Post Road**, from Young Mountain Road westerly to Shore West Road, 0.6 km.
52. **Old Post Road**, from Trunk 1 northerly to Trunk 1, 2.6 km.
53. **Parkers Mountain Road**, from Trunk 1 at Granville Ferry northerly to Shore West Road, 6.1 km.
54. **Pick Up Road**, from Old Post Road easterly to end of listing, 1.8 km.
55. **Princedale Branch**, from Virginia Road northerly to Clementsvale Road, 2.0 km.
56. **Purdy Road**, from Chute Road northerly to Dunn Road, 2.0 km.
57. **Rice's Connector**, from Highway 101 at Exit 21 southerly to Rices Concrete Plant, 0.8 km.
58. **Rice's Connector**, from Highway 101 Exit 21 northerly to Route 201, 0.7 km.
59. **Ridge Road**, from Trunk 10 southerly to Trunk 10 near Lunenburg County line, 9.3 km.
60. **Shaw Road**, from Trunk 1 northerly to Clarence Road, 2.3 km.
61. **Shawmut Avenue**, from Trunk 1 easterly to Old Post Road, 0.3 km.
62. **Shore West Road**, from Parker Mountain Road easterly to west of Gaskell Brook near Hampton, 17.9 km.
63. **Squirreltown Road**, from Trunk 10 easterly to end at CNR Crossing, 2.6 km.
64. **Station Road**, from Trunk 1 northerly to Elliot Road, 0.9 km.
65. **Stronach Mountain Road**, from Route 221 northerly to Ben Phinney Road, 0.2 km.
66. **Taylor Drive**, from Route 201 easterly to Trunk 10, 0.6 km.
67. **Trout Lake Mountain Road**, from Inglisville Road northerly to Route 201, 2.8 km.
68. **Twin Lakes Road**, from Brooklyn Road northerly to Gates Mountain Road, 3.1 km.
69. **Varner Mountain Road**, from Trunk 10 northerly to Trunk 10, 2.6 km.
70. **Virginia Road**, from Clementsvale Road southerly to Trunk 8, 10.8 km.
71. **Waldec Line Road**, from Mary Jane Riley Road easterly to end of listing, 1.9 km.
72. **West Dalhousie Road**, from Trunk 8 at Lequille easterly to Trunk 10 at Albany Cross, 39.9 km.
73. **Young Mountain Road**, from Trunk 1 at Belleisle northerly to Shore West Road, 7.0 km.

Antigonish County

1. **Trunk 4**, from Pictou County line easterly to Beaver Meadow Road, 4.1 km.
2. **Trunk 4**, from Mill Road easterly to 0.5 km west of Brierly Brook School Road, 4.0 km.
3. **Trunk 4**, from Antigonish town line (east) easterly to Highway 104 Exit 34, 3.4 km.
4. **Trunk 4**, from Highway 104 Exit 36A easterly to Bayfield Road, 2.9 km.
5. **Trunk 4**, from Afton Road easterly to Highway 104 Exit 37, 9.7 km.
6. **Route 245**, from Antigonish town line (north) northerly to Pictou County line, 34.0 km.
7. **Route 316**, from Antigonish-Guysborough Road southerly to Guysborough County line, 19.0 km.
8. **Route 337**, from Route 245 at Malignant Cove easterly to private road, 18.0 km.
9. **Route 337**, from Antigonish town line (north) northerly to Fairmont Road, 12.0 km.
10. **Addington Forks Road**, from Highway 104 southerly to Old Pinevale Road, 13.3 km.

11. **Afton Loop**, from Trunk 4 easterly to Trunk 4, 0.7 km.
12. **Afton Road**, from Trunk 4 southerly to Guysborough County line, 8.2 km.
13. **Antigonish Lane**, from Highway 104 northerly to Old Trunk Road, 0.8 km.
14. **Antigonish-Guysborough Road**, from Route 316 southerly to Caledonia-Marydale Road, 12.0 km.
15. **Archie Chisholm Road**, from Glen Road westerly to end of listing, 0.5 km.
16. **Arisaig Point Road**, from Route 245 westerly to end of listing, 0.8 km.
17. **Ashdale School Road**, from Trunk 7 easterly to end of listing, 0.1 km.
18. **Bailey Road**, from Frasers Grant Road easterly to New France Road, 1.3 km.
19. **Baxter Road**, from Trunk 7 southerly to Trunk 7, 0.1 km.
20. **Bayfield Cross Road**, from Summerside Road easterly to Bayfield Road, 2.3 km.
21. **Bayfield Road**, from Summerside Road southerly to Trunk 5, 3.4 km.
22. **Beach Hill Road**, from Trunk 4 southerly to West Side South River Road, 11.4 km.
23. **Beaulieu Glassburn Road**, from Heatherton-Guysborough Road westerly to Stora's Erin Road, 2.0 km.
24. **Beaver Meadow Road**, from Highway 104 easterly to St. Josephs Road, 2.7 km.
25. **Big Marsh Branch**, from Big Marsh Road easterly to South Lakevale Road, 1.2 km.
26. **Big Marsh Road**, from Cloverville Road northerly to West Lakevale Road, 3.1 km.
27. **Black Avon-Frasers Grant Road**, from Heatherton Guysborough easterly to New France Road, 3.8 km.
28. **Breen Road**, from Old Antigonish Road southerly to end of listing, 1.4 km.
29. **Caledonia-Marydale Road**, from Antigonish-Guysborough Road northerly to Stora's private road, 7.0 km.
30. **Cameron Road**, from Fairmont easterly to end of listing, 0.8 km.
31. **Camerons Loop**, from Trunk 7 northerly to Trunk 7, 0.3 km.
32. **Campbell-Duggan Road**, from Antigonish-Guysborough Road southerly to end of listing, 2.4 km.
33. **Cemetery Road**, from Route 337 easterly to end of listing, 0.6 km.
34. **Cloverville Road**, from Route 245 easterly to Big Marsh Road, 1.7 km.
35. **Clydesdale Road**, from Route 245 westerly to Pleasant Valley Road, 1.3 km.
36. **College Grant Road**, from West Lochaber Road westerly to Guysborough County line, 5.5 km.
37. **Connor's Mountain Road**, from Pleasant Valley Road westerly to Maple Ridge Road, 10.0 km.
38. **Cottage Road**, from Route 245 northerly to Route 245, 1.5 km.
39. **Cummings Road**, from Stora's Mike Road easterly to Springfield Road, 2.4 km.
40. **Dagger Woods Road**, from Highway 104 easterly to Highway 104, 2.4 km.
41. **Delorey Road**, from Old Antigonish Road southerly to end of listing, 0.3 km.
42. **Duncan MacIsaac Road**, from Highway 104 northerly to end of listing, 0.6 km.
43. **Dunns Loop**, from Highway 104 easterly to Highway 104, 0.3 km.

44. **East River Saint Marys Road**, from Morvan Road westerly to Pictou County line, 1.5 km.
45. **Failte Lane**, from West Side Lochaber Road easterly to Trunk 7, 0.4 km.
46. **Fairmont Road**, from Cloverville Road northerly to Route 337, 12.2 km.
47. **Fougere Road**, from Old Post Road southerly to Frankville Road, 1.4 km.
48. **Frankville Branch**, from Frankville Road southerly to end of listing, 1.1 km.
49. **Frankville Road**, from Trunk 4 southerly to Havre Boucher Road, 4.9 km.
50. **Frasers Grant Road**, from Black Avon Road northerly to Heatherton Guysborough Road, 2.9 km.
51. **Glebe Road**, from Big Marsh Road northerly to Route 337 at Georgeville, 10.8 km.
52. **Glen Road**, from Trunk 7 southerly to Old Pinevale Road, 10.5 km.
53. **Glenroy Road**, from Antigonish-Guysborough Road northerly to Meadow Green Road, 2.6 km.
54. **Gorman Road**, from Trunk 4 southerly to Afton Road, 2.1 km.
55. **Gravel Pit Road**, from Trunk 4 northerly to end of listing, 0.9 km.
56. **Greendale Road**, from Route 245 northerly to end of listing, 6.0 km.
57. **Grovenor Road**, from Trunk 4 southerly to Old Mulgrave Road, 5.8 km.
58. **Havre Boucher Connector**, from Frankville Road easterly to Havre Boucher Road, 0.6 km.
59. **Havre Boucher Road**, from Guysborough County line northerly to Highway 104, 7.5 km.
60. **Heatherton-Guysborough Road**, from Guysborough County line northerly to Beaulieu Glassburn Road, 2.8 km.
61. **Henry Road**, from Trunk 4 southerly to North of Highway 104, 0.2 km.
62. **Hill Road**, from North of Highway 104 northerly to Havre Boucher Road, 0.4 km.
63. **Ireland Road**, from College Grant Road northerly to Ohio Road, 5.0 km.
64. **Irish Road**, from Upper Springfield Road northerly to Springfield Road, 4.6 km.
65. **Keppoch Road**, from St. Josephs Road southerly to Morvan Road, 6.4 km.
66. **Levangie Road**, from Havre Boucher Road easterly to end of listing, 0.3 km.
67. **Linwood Harbour Road**, from East Tracadie Road easterly to Trunk 4, 3.0 km.
68. **Linwood Road**, from Trunk 4 easterly to Governor Road, 1.5 km.
69. **Linwood Station Road**, from Linwood Road southerly to Railway Crossing, 1.8 km.
70. **Lochaber Church Loop**, from Trunk 7 southerly to Old Middleton Road, 0.3 km.
71. **Lower South River Loop**, from Highway 104 easterly to West Side South River Road, 0.8 km.
72. **Lower West River Road**, from Trunk 7 southerly to Old Mitchell Farm, 5.3 km.
73. **MacDonald Road**, from Antigonish-Guysborough Road northerly to Beaulieu Glassburn Road, 3.7 km.
74. **MacDonalds Road**, from Pleasant Valley Road southerly to end of listing, 1.3 km.
75. **MacDougall Road**, from Route 337 easterly to end of listing at shore, 0.9 km.
76. **MacEacherns Loop**, from Highway 104 easterly to Highway 104, 0.5 km.
77. **MacIntosh Road**, from Route 316 easterly to end of listing, 0.2 km.

78. **MacMillan Road**, from Highway 104 easterly to end of listing, 0.3 km.
79. **MacPherson Road**, from Pellerine Road westerly to end of listing, 0.5 km.
80. **Mahoneys Beach Road**, from Route 337 westerly to end of listing, 0.8 km.
81. **Marsh Road**, from Route 337 at Ballantynes Cove westerly to Route 337 at Livingston Cove, 3.8 km.
82. **Meadow Green Road**, from Pomquet River Road southerly to Stora's private road at Meadow Green, 3.0 km.
83. **Merland Church Road**, from Merland Road southerly to Guysborough County line, 3.9 km.
84. **Merland School Road**, from Merland Road easterly to Merland Church Road, 0.6 km.
85. **Morvan Road**, from Keppoch Road southerly to Donnybrook Road, 4.8 km.
86. **Myette Branch**, from Myette Road westerly to end of listing, 0.5 km.
87. **Myette Road**, from Trunk 4 northerly to end of Causeway, 2.4 km.
88. **New France Road**, from Trunk 4 southerly to Black Avon - Frasers Grant Road, 11.5 km.
89. **Old Antigonish Road**, from Gorman Road easterly to Trunk 4, 7.0 km.
90. **Old Frankville Branch**, from Old Frankville Road northerly to Frankville Road, 0.5 km.
91. **Old Frankville Road**, from Frankville Road westerly to End of Listing, 0.7 km.
92. **Old Linwood Road**, from Grovenor Road easterly to Frankville Branch, 2.3 km.
93. **Old Marshy Hope Road**, from Trunk 4 westerly to end of listing, 0.9 km.
94. **Old Middleton Road**, from Trunk 7 southerly to Middleton Road, 5.2 km.
95. **Old Monastery Road**, from Trunk 4 southerly to Trunk 4, 0.9 km.
96. **Old Mulgrave Road**, from Trunk 4 easterly to Guysborough County line, 4.3 km.
97. **Old Pinevale Road**, from Trunk 7 easterly to Route 316 at Fraser Mills, 5.7 km.
98. **Old School Loop**, from Route 337 easterly to Route 337, 0.5 km.
99. **Old Trunk Road**, from Trunk 4 easterly to end of listing, 1.9 km.
100. **Pellerine Road**, from Trunk 4 southerly to end of listing, 0.7 km.
101. **Pinevale Road**, from Pitchers Farm Road easterly to West Side South River Road, 3.6 km.
102. **Pleasant Valley Road**, from Clydesdale Road northerly to Connors Mountain Road, 6.7 km.
103. **Pleasant Valley Road**, from Route 245 south of Maryvale westerly to MacQuarrie Road, 4.2 km.
104. **Pomquet River Road**, from Route 316 easterly to Highway 104 near Heatherton, 7.4 km.
105. **Purlbrook Road**, from Trunk 7 westerly to end of listing, 2.7 km.
106. **Pushie Road**, from Highway 104 westerly to Pictou County line, 0.5 km.
107. **Rear Georgeville Road**, from Back Settlement Road westerly to Glebe Road, 2.5 km.
108. **Rear Monastery Road**, from Old Monastery Loop southerly to Guysborough County line, 3.8 km.
109. **Salt Springs Road**, from Trunk 7 southerly to end of listing, 3.0 km.
110. **Seabright Road**, from Route 337 easterly to end of listing, 1.0 km.
111. **South Side Harbour Road**, from Highway 104 northerly to end of listing, 3.5 km.

112. **Springfield Road**, from Cummings Road northerly to Antigonish-Guysborough Road, 6.5 km.
113. **St Josephs Road**, from Beaver Meadow Road southerly to Keppoch Road, 1.4 km.
114. **Summerside-Bayfield Road**, from Trunk 4 northerly to end of listing, 2.9 km.
115. **Taylor's Road**, from Highway 104 northerly to Pomquet Monks Head Road, 5.1 km.
116. **Tracadie Loop**, from Trunk 4 easterly to Trunk 4, 0.7 km.
117. **Trambles Road**, from Guysborough County line easterly to Merland Church Road, 1.2 km.
118. **Vincents Road**, from Route 245 northerly to end of listing, 0.2 km.
119. **Walsh Post Road**, from Cloverville Road easterly to Fairmont Road, 4.0 km.
120. **West Lakevale Road**, from Big Marsh Road easterly to Route 337, 7.4 km.
121. **West Lochaber Road**, from Guysborough County line northerly to Ohio Lake Road, 10.6 km.
122. **West River School Road**, from Lower West River Road southerly to Trunk 7, 1.0 km.

Cape Breton County

1. **Highway 162**, from Point Aconi Connector westerly to Mill Pond Road, 1.8 km.
2. **Trunk 4**, from Highway 125 Exit 6 southerly to Loch Lomond Road, 33.5 km.
3. **Trunk 5**, from Victoria County line easterly to Highway 105 Exit 16, 45.3 km.
4. **Trunk 28**, from Sydney town line northerly to New Waterford town line, 14.3 km.
5. **Trunk 28**, from New Waterford town line southerly to Old Lingan Road, 2.0 km.
6. **Route 216**, from Bourinot Road northerly to Trunk 4, 4.9 km.
7. **Route 223**, from Barrachois Road northerly to Highway 125 Exit 3, 11.2 km.
8. **Route 239**, from Rudderham Road southerly to Route 305 at Gibbon, 5.9 km.
9. **Route 305**, from Alder Point Road easterly to Little Pond Road, 2.3 km.
10. **Route 305**, from Superior Propane Bulk Plant at Leitches Creek southerly to Frenchvale Road, 1.8 km.
11. **Alder Point Road**, from Route 305 at Bras d'Or northerly to end of listing, 7.4 km.
12. **Arthur Drive**, from Trunk 28 easterly to end of listing, 0.2 km.
13. **Atlantic Drive**, from Centreville Road northerly to Dominion town line, 0.9 km.
14. **Barrachois Road**, from Route 223 southerly to end of listing, 3.2 km.
15. **Brickyard Road**, from Trunk 22 easterly to Mira Bay Drive, 7.7 km.
16. **Broughton Road**, from Route 255 northerly to Birch Grove Road, 13.9 km.
17. **Browns Road**, from Trunk 28 westerly to Browns Branch, 0.7 km.
18. **Calabash Road**, from Hillside Boularderie Road westerly to Victoria County line, 3.5 km.
19. **Catalone Gut Road**, from Trunk 22 easterly to Mira Bay Drive, 4.0 km.
20. **Centreville Road**, from Gardiner Road easterly to Official Row Road, 3.5 km.
21. **Church Street**, from 5th Avenue (old railway line) northerly to Jardine Street, 0.4 km.
22. **Cornishtown Road**, from Eastmount Road northerly to end of listing, 1.0 km.
23. **Cow Bay Road**, from Highway 125 easterly to Broughton Road, 13.5 km.

24. **Crestdale Drive**, from Trunk 4 at Sydney Forks southerly to Trunk 4 at Portage, 2.0 km.
25. **Daley Road**, from Guy Road easterly to May Street, 3.1 km.
26. **Eastmount Road**, from Cornishtown Road easterly to Old Lingan Road, 1.3 km.
27. **Ferguson Road**, from Upper Leitches Creek Road northerly to Route 223, 5.6 km.
28. **Glen Albert Drive**, from Trunk 4 northerly to Trunk 4, 1.9 km.
29. **Hannah Street**, from Trunk 28 northerly to end of listing, 0.1 km.
30. **Harrietha Road**, from Point Aconi Road westerly to Highway 162, 1.7 km.
31. **Haulage Road**, from Trunk 4 westerly to Main Street, 0.9 km.
32. **Hills Road**, from Trunk 22 southerly to Hillside Mira Road, 4.5 km.
33. **Hillside Boularderie Road**, from Highway 105 southerly to Victoria County line, 19.7 km.
34. **Homeville Milton Road**, from Broughton Road easterly to Route 255, 4.7 km.
35. **Hornes Branch**, from Trunk 22 southerly to Route 255, 1.8 km.
36. **Hospital Road**, from Route 239 easterly to end of listing, 1.2 km.
37. **Jardine Street**, from Church Street easterly to Shore Road, 0.3 km.
38. **Kaneville Road**, from Trunk 28 southerly to end of listing, 1.3 km.
39. **Keltic Drive Connector**, from Route 305 southerly to Sydport Road, 0.5 km.
40. **Kilkenny Lake Road**, from Trunk 28 easterly to Old Ligan Road, 5.1 km.
41. **King Grove Road**, from Trunk 5 northerly to Mill Pond Road, 5.3 km.
42. **Lake Road**, from Trunk 28 easterly to Havendale Drive, 5.3 km.
43. **Leblanc Road**, from Old Trunk 5 westerly to Old Trunk 5, 1.4 km.
44. **Livingstone Road**, from Old Lingan Road northerly to Lake Road, 0.6 km.
45. **Louisbourg Bypass Road**, from Terra Nova Road easterly to Trunk 28, 3.1 km.
46. **MacIntosh Road**, from Trunk 5 easterly to end of listing, 1.4 km.
47. **MacIntyre Road**, from Scotch Lake Road southerly to Route 223, 4.7 km.
48. **MacKenzie Lane**, from Trunk 28 southerly to end of listing, 0.6 km.
49. **Main Street**, from Trunk 4 northerly to Official Row Road, 1.0 km.
50. **Main-A-Dieu Road**, from Trunk 22 easterly to end of listing, 12.8 km.
51. **May Street**, from Trunk 28 westerly to Daley Road, 1.1 km.
52. **McCuish Road**, from Trunk 22 northerly to Main-A-Dieu Road, 9.7 km.
53. **Meadows Road**, from Trunk 4 at Sydney Forks southerly to Morley Road, 6.7 km.
54. **Morley Road**, from Meadows Road easterly to Quarry Road, 1.4 km.
55. **Morrison Road**, from Trunk 22 easterly to Broughton Road, 12.3 km.
56. **Murphy Road**, from Route 239 southerly to Route 239, 2.0 km.
57. **Neville Road**, from Main Street northerly to Dominion town line, 1.7 km.
58. **O'Brien Street**, from Warburton Road westerly to end of listing, 0.8 km.

59. **Official Row Road**, from Main Street westerly to Centreville Road, 0.4 km.
60. **Old Louisbourg Road**, from Trunk 22 southerly to New Boston Road, 4.3 km.
61. **Ormond Crescent**, from Trunk 22 northerly to Trunk 22, 1.2 km.
62. **O'Toole Drive**, from Highway 105 northerly to Highway 105, 0.3 km.
63. **Park Road**, from Route 305 at Florence southerly to Villa Road, 1.8 km.
64. **Patrick Drive**, from Highway 105 northerly to Highway 105, 0.5 km.
65. **Roaches Road**, from Old Lingan Road northerly to New Waterford town line, 1.3 km.
66. **Rudderham Road**, from Route 239 easterly to Sydport Road, 3.8 km.
67. **Russell Road**, from Highway 105 northerly to Highway 105, 0.9 km.
68. **Schoolhouse Road**, from Little Pond Road westerly to Alder Point Road, 1.5 km.
69. **Scotch Lake Road**, from Route 223 northerly to Grand Narrows Road, 7.7 km.
70. **Shore Road**, from Jardine Street southerly to Little Pond Road, 0.4 km.
71. **Strang Road**, from Trunk 28 southerly to Centreville Road, 0.9 km.
72. **Tobin Road**, from Highway 105 northerly to Sydney Mines town line, 1.3 km.
73. **Trunk 22 Branch**, from Trunk 22 easterly to end of listing, 0.2 km.
74. **Villa Road**, from Grand Narrows Road easterly to end of listing, 2.5 km.
75. **Warburton Road**, from Trunk 28 southerly to end of listing, 1.1 km.
76. **Wilson Road**, from Trunk 4 easterly to Glace Bay town line, 1.0 km.

Colchester County

1. **Trunk 2**, from Cross Road easterly to Trunk 4 near Glenholm, 4.7 km.
2. **Trunk 2**, from Brentwood Road near Brentwood southerly to MacKay Siding Road, 7.4 km.
3. **Trunk 2**, from Great Village Road westerly to end of listing, 6.0 km.
4. **Trunk 2**, from Highway 104 at Masstown southerly to Highway 102 Exit 14A, 14.7 km.
5. **Trunk 2**, from Truro town line southerly to Route 289, 6.1 km.
6. **Trunk 4**, from Route 311 near Bible Hill easterly to Stevens Cross Road, 21.4 km.
7. **Trunk 6**, from Cumberland County line easterly to Pictou County line, 23.7 km.
8. **Route 224**, from Trunk 2 southerly to Halifax County line, 10.4 km.
9. **Route 236**, from Highway 102 southerly to Cumberland County line, 20.0 km.
10. **Route 246**, from Cumberland County line northerly to Trunk 6 at Tatamagouche, 18.3 km.
11. **Route 256**, from Route 246 easterly to Pictou County line, 23.8 km.
12. **Route 277**, from Route 224 southerly to Halifax County line, 0.2 km.
13. **Route 289**, from Route 236 at Green Oaks easterly to Cement Plant Road, 9.8 km.
14. **Route 289**, from Trunk 2 easterly to Pictou County line, 49.6 km.
15. **Route 311**, from Trunk 6 at Tatamagouche southerly to Trunk 4 near Bible Hill, 51.2 km.
16. **Route 326**, from Trunk 6 southerly to Route 311, 20.0 km.

17. **Route 336**, from Route 289 southerly to Halifax County line, 12.5 km.
18. **Adam MacCallum Road**, from Onslow Mountain Road northerly to Chisholm Road, 4.0 km.
19. **Alex Cox Road**, from Trunk 6 northerly to Brule Shore Road, 1.8 km.
20. **Alex MacDonald Road**, from Route 311 westerly to end of listing, 1.5 km.
21. **Alton Road**, from Trunk 2 southerly to Wittenburg Road, 8.7 km.
22. **Back Mountain Road**, from Route 326 northerly to East Earltown, 3.8 km.
23. **Beech Hill Road**, from Riverside Road northerly to Prince Port Road, 2.6 km.
24. **Belmont Road**, from Plains Road northerly to Staples Brook Road, 5.5 km.
25. **Benvie Mountain Road**, from Meadowvale Road southerly to end of listing, 1.4 km.
26. **Biorachan #1 Road**, from Route 311 northerly to end of listing, 5.0 km.
27. **Blackburn Road**, from Crowes Mills Road westerly to end of listing, 1.4 km.
28. **Board Landing Road**, from Onslow Road northerly to end of listing, 1.1 km.
29. **Branch Road**, from Meadowvale Road northerly to Route 289, 1.9 km.
30. **Brenton Cross Road**, from Route 289 southerly to end of listing, 1.2 km.
31. **Brookside Road**, from Pictou Road/Salmon River Road northerly to Mountain Lee Road, 2.8 km.
32. **Bulmer Cross Road**, from Trunk 4 northerly to Middle Road, 1.3 km.
33. **Carrobie Road**, from East Village Road southerly to Station Road, 2.3 km.
34. **Carter Road**, from Kennedy Road southerly to Route 289, 0.7 km.
35. **Carter Road**, from Kennedy Road at Brookfield northerly to end of listing, 2.0 km.
36. **Cement Plant Road**, from Route 289 southerly to LaFarge Canada Inc. cement plant in Brookfield, 0.7 km.
37. **Chisholm Road**, from Adam MacCallum Road at Onslow Mountain southerly to Truro Road, 2.4 km.
38. **Church Road**, from Matheson Corner Road southerly to Route 326 near Earltown, 2.6 km.
39. **Clarks Road**, from Trunk 6 northerly to end of listing, 1.0 km.
40. **Cloverdale Road**, from Alton Road easterly to Northern Access Road, 6.8 km.
41. **Clydesdale Road**, from Route 326 at Earltown easterly to Pictou County line, 6.4 km.
42. **Coldstream Road**, from Route 224 in Coldstream northerly to end of listing, 7.9 km.
43. **College Road**, from Route 311 easterly to Salmon River Road, 5.4 km.
44. **Cove Road**, from Trunk 6 northerly to end of listing, 1.1 km.
45. **Cross Road**, from Matheson Corner Road westerly to Spidle Hill Road, 1.9 km.
46. **Cross Road**, from Route 289 at Upper Stewiacke westerly to Upper Pembroke Road, 2.2 km.
47. **Cross Road**, from Truro Road at MacCallum Settlement easterly to Route 311 at Upper North River, 3.7 km.
48. **Cross Road**, from Belmont Road easterly to Crowes Mills Road, 2.5 km.
49. **Cross Road**, from Trunk 2 northerly to Mill Lane Road, 0.6 km.

50. **Crowes Mills Road**, from Trunk 2 northerly to Onslow Mountain Road, 5.6 km.
51. **Cyrus Graham Road**, from Otter Brook Branch Road northerly to Pembroke Road, 1.8 km.
52. **Dan Graham Road**, from Route 289 northerly to end of listing, 0.8 km.
53. **Debert Beach Road**, from Trunk 4 southerly to end of listing, 3.2 km.
54. **Donkin Drive**, from Little Dyke Road southerly to end of listing, 0.6 km.
55. **Downing Road**, from Onslow Mountain Road northerly to end of listing, 1.1 km.
56. **East Earltown**, from Route 256 easterly to Route 326, 3.6 km.
57. **East Folly Mountain Road**, from Plains Road northerly to end of listing, 5.5 km.
58. **East Mines Station Road**, from Middle Road northerly to Plains Road, 1.9 km.
59. **East Mountain Road**, from Trunk 4 easterly to Old Pictou Road, 4.7 km.
60. **East Village Road**, from Station Road easterly to Trunk 4, 4.6 km.
61. **Farnham Hill Road**, from Route 311 southerly to Brookside Road, 1.4 km.
62. **Five Point Road**, from Trunk 4 southerly to end of listing, 1.8 km.
63. **Five Point West Road**, from Five Point Road southerly to end of listing, 0.7 km.
64. **Folly Point Road**, from Little Dyke Road southerly to end of listing, 0.9 km.
65. **Forest Glen Road**, from Route 289 southerly to Stevens Road, 6.8 km.
66. **Foster Road**, from Riverside Road easterly to end of listing, 1.0 km.
67. **Fraser Road**, from Harmony Ridge Road southerly to end of listing, 1.3 km.
68. **G Porter Road**, from Shore Road northerly to Trunk 2, 0.5 km.
69. **George Weatherby Road**, from Middle Road easterly to end of listing, 0.8 km.
70. **Glenmore Road**, from Stewiacke Road southerly to Halifax County line, 4.3 km.
71. **Gorman Road**, from Onslow Mountain Road southerly to West North River Road, 1.9 km.
72. **Graham Road**, from Belmont Road northerly to end of listing, 1.0 km.
73. **Gray Road**, from Rushton Road northerly to Plains Road, 4.8 km.
74. **Great Village Lornevale Road**, from Mine Bass River Road southerly to Trunk 2, 8.4 km.
75. **Greenfield Road**, from Old Greenfield Road easterly to Union Road, 2.2 km.
76. **Greenfield Road**, from Salmon River Road easterly to Lower Harmony Road, 3.4 km.
77. **Grist Mill Road**, from Kennedy Hill Road southerly to end of listing, 3.2 km.
78. **Harmony Ridge Road**, from Lower Harmony Road westerly to Harmony Road, 3.1 km.
79. **Harmony Road**, from East Prince Road southerly to Laurie Rath Road, 7.0 km.
80. **Harry Elliott Road**, from Trunk 2 southerly to end of listing, 0.8 km.
81. **Highlands Road**, from West Tatamagouche Road westerly to Cumberland County line, 2.7 km.
82. **Hillcrest Road**, from Five Point Road easterly to Trunk 4, 0.9 km.
83. **Hiram Lynds Road**, from Route 311 westerly to end of listing, 2.2 km.
84. **Irwin Lake Road**, from Trunk 2 in Hilden westerly to end of listing, 5.3 km.

85. **James Tucker Road**, from Kennedy Hill Road easterly to Truro Road, 2.0 km.
86. **Jeff Ross Road**, from Trunk 6 northerly to Brule Shore Road, 2.2 km.
87. **Jim Murdock Road**, from Mountain Road easterly to Grist Mill Road, 1.4 km.
88. **Jim Sutherland Road**, from Trunk 6 easterly to Upper River John, 2.8 km.
89. **John Edwards Road**, from Trunk 2 at Hilden East easterly to end of listing, 1.3 km.
90. **John Murdock Road**, from Kennedy Hill Road easterly to Truro Road, 2.6 km.
91. **John Murray Road**, from Trunk 2 at DND Property westerly to end of listing, 0.9 km.
92. **John Shearer Road**, from Willow Church Road westerly to end of listing, 0.8 km.
93. **Jollytown Road**, from Upper Brookside Road easterly to Trunk 4, 2.8 km.
94. **Joudrey Road**, from Trunk 6 southerly to end of listing, 1.2 km.
95. **Kavanaugh Mills Road**, from Route 311 westerly to Old Nutby Road, 1.6 km.
96. **Kempton Road**, from Highway 104 northerly to Route 311, 12.5 km.
97. **Kennedy Hill Road**, from Route 246 at Oliver southerly to Truro Road at East New Annan, 6.8 km.
98. **Kennedy Road**, from Trunk 2 southerly to Carter Road, 5.2 km.
99. **Kent Road**, from Route 236 southerly to end of listing, 1.4 km.
100. **Lake Road**, from Cumberland County line westerly to Millbrook Road, 11.0 km.
101. **Lake Road**, from Trunk 6 in Tatamagouche southerly to private road on southeast side, 1.5 km.
102. **Lane Cross Road**, from Stewiacke Road northerly to Cloverdale Road, 4.7 km.
103. **Laybolt Road**, from West North River Road westerly to Old Tatamagouche South Road, 1.4 km.
104. **Lilyvale Road**, from Route 289 northerly to end of listing, 10.0 km.
105. **Little Dyke Road**, from Trunk 2 easterly to Trunk 2, 4.9 km.
106. **Logan Road**, from Trunk 6 at Bayhead southerly to Cumberland County line, 5.4 km.
107. **Loop of Route 311**, from Upper River John Road southerly to Murphy Road, 3.0 km.
108. **Lower Harmony Branch**, from Lower Harmony Road easterly to end of listing, 0.4 km.
109. **Lower Harmony Road**, from Greenfield Road southerly to Lower Harmony Branch, 4.0 km.
110. **Lower Truro Road**, from Truro Heights Road easterly to Truro town line, 1.2 km.
111. **Lynch Road**, from St. Andrews River Road northerly to end of listing, 0.4 km.
112. **MacElmon Road**, from Highway 104 Exit 13 near Debert southerly to Trunk 2, 2.0 km.
113. **MacKay Siding Road**, from Trunk 2 easterly to Alton Road, 2.9 km.
114. **MacPhee Road**, from St. Andrews River Road southerly to end of listing, 1.2 km.
115. **Marney Road**, from Irwin Lake Road at Hilden southerly to end of listing, 2.3 km.
116. **Marshall Road**, from Route 246 easterly to Warwick Mountain Road, 1.0 km.
117. **Matheson Brook Road**, from Route 256 at Balmoral Mills northerly to Alex MacKay Road, 2.5 km.
118. **Matheson Corner Road**, from Route 311 northerly to Matheson Brook Road, 4.5 km.
119. **McLeod Road**, from East Mountain Road easterly to end of listing, 2.0 km.

120. **McPhee Road**, from Cloverdale Road northerly to end of listing, 1.1 km.
121. **McWilliam Road**, from Trunk 2 northerly to Back Road, 1.8 km.
122. **Meadowvale Road**, from Stewart Hill Road westerly to Stewiacke Road, 10.0 km.
123. **Meeting House Road**, from Onslow Road northerly to Highway 104, 1.4 km.
124. **Millbrook Road**, from Route 246 northerly to Lake Road, 5.1 km.
125. **Millburn Branch**, from Millburn Road southerly to Millbrook Road, 0.6 km.
126. **Millburn Road**, from Millbrook Road westerly to end of listing, 4.7 km.
127. **Milltown Road**, from Route 236 southerly to end of listing, 1.5 km.
128. **Mines Bass River Road**, from Flemmings Bridge westerly to Great Village Lornevale Road, 3.9 km.
129. **Morgan Road**, from Irwin Lake Road northerly to end of listing, 0.6 km.
130. **Mountain Lee Road**, from Brookside Road easterly to Route 311, 2.2 km.
131. **Mountain Road**, from Route 326 easterly to Pictou County line, 2.7 km.
132. **Mountain Road**, from Warwick Mountain Road easterly to Route 256, 4.7 km.
133. **Murphy Road**, from Loop of Route 311 southerly to Redmond Road, 1.1 km.
134. **Old Cloverdale Road**, from Cloverdale Road easterly to end of listing, 1.2 km.
135. **Old Court House Branch**, from Salmon River Road northerly to College Road, 1.4 km.
136. **Old East Mountain Road**, from East Mountain Road northerly to Trunk 4, 2.7 km.
137. **Old Gays River Road**, from Cooks Mills Road westerly to Route 224, 1.4 km.
138. **Old Greenfield Road**, from Valleydale Road easterly to Greenfield Road, 3.7 km.
139. **Old Halifax Road**, from Route 289 at Pleasant Valley southerly to end of maintained section, 3.0 km.
140. **Old Nutby Road**, from Kavanaugh Mills Road southerly to end of listing, 1.0 km.
141. **Old Nutby Road**, from Route 311 at Nutby northerly to road to Fire Tower, 2.5 km.
142. **Old Pictou Road**, from Stevens Cross Road westerly to Archimbeau Road, 3.4 km.
143. **Old Tatamagouche Branch**, from Old Tatamagouche Road northerly to Onslow Mountain Road, 0.6 km.
144. **Old Tatamagouche South Road**, from barricade north of Highway 104 northerly to end of listing, 7.0 km.
145. **Old Union Road**, from Old Greenfield Road easterly to end of listing, 1.1 km.
146. **Onslow Mountain Road**, from West North River Road westerly to end of listing, 8.8 km.
147. **Onslow Road**, from Tidal Bore Road easterly to Route 311, 4.3 km.
148. **Otterbrook Branch Road**, from Otterbrook Road northerly to Pembroke Road, 8.1 km.
149. **Otterbrook Road**, from Route 289 in Otterbrook northerly to Route 289 in Upper Stewiacke, 7.4 km.
150. **Pembroke Road**, from Upper Pembroke Road northerly to Stora Road, 17.5 km.
151. **Peter MacDonald Road**, from Spiddle Hill Road northerly to Route 256, 2.7 km.
152. **Phillips Road**, from Riverside Road southerly to end of listing, 0.9 km.

153. **Plains Road**, from East Folly Mountain Road southerly to National Defence Base (CFS Debert), 3.5 km.
154. **Plains Road**, from McElmon Road easterly to Belmont Road, 2.4 km.
155. **Plains Road**, from Reid Road at East Mines Station westerly to Trunk 4 south of Folly Mountain, 3.0 km.
156. **Princeport Road**, from Riverside Road easterly to Route 236, 4.3 km.
157. **Proudfoot Road**, from Old Trunk 4 westerly to end of listing, 1.9 km.
158. **R J Bates Road**, from Cloverdale Road northerly to end of listing, 0.6 km.
159. **Redmond Road**, from Murphy Road easterly to end of listing, 2.4 km.
160. **Reid Road**, from East Folly Mountain Road southerly to Plains Road at East Mines Station, 5.5 km.
161. **Reids Station Road**, from Meadowvale Road southerly to Halifax County line, 5.5 km.
162. **Rifle Range Road**, from Onslow Mountain Road northerly to end of listing, 0.6 km.
163. **River Road**, from Route 246 northerly to Cooper Road, 1.7 km.
164. **Riverside Road**, from Trunk 2 northerly to Green Creek Bridge, 12.8 km.
165. **Riverside Road**, from Route 236 northerly to Black Rock Road, 10.0 km.
166. **Rushton Road**, from Trunk 4 northerly to Gray Road, 0.6 km.
167. **Ryland Avenue**, from Route 311 easterly to Vimy Road, 0.8 km.
168. **Salmon River Road**, from East Prince Street easterly to Greenfield Road, 1.3 km.
169. **Salmon River Road**, from Pictou Road/Brookside Road southerly to Valley Road, 1.2 km.
170. **Salmon River Road**, from Valley Road southerly to Greenfield Road, 2.6 km.
171. **Sand Point Branch**, from Brule Shore Road northerly to Sand Point Road, 0.5 km.
172. **Sand Point Road**, from Trunk 6 northerly to end of listing, 6.5 km.
173. **Sandy McKay Road**, from Wallie Mingo Road easterly to Route 326, 2.4 km.
174. **Shortts Lake West Road**, from Cement Plant Road at Pleasant Valley southerly to Trunk 2 at Alton, 6.6 km.
175. **Siding Road**, from Mattatall Road easterly to Slade Road, 2.2 km.
176. **Slade Road**, from Trunk 6 at Bayhead southerly to Lake Road, 6.1 km.
177. **South Branch Road**, from Stewiacke Road easterly to end of listing, 5.8 km.
178. **South Tatamagouche Road**, from Willow Church Road easterly to Route 311, 3.3 km.
179. **South Tidal Bore Road**, from Route 236 northerly to end of listing, 0.6 km.
180. **Southside Road**, from Route 336 westerly to Stewart Hill Road, 5.3 km.
181. **Spencer Point Road**, from Trunk 2 easterly to end of listing, 1.4 km.
182. **Spidle Hill Road**, from Cross Road northerly to Route 256, 4.2 km.
183. **Springside Cross Road**, from Route 336 westerly to Route 289, 0.6 km.
184. **Squire William MacKay Road**, from Route 256 southerly to end of maintained section, 2.3 km.
185. **Squire William MacKay Road**, from Stewarts Road northerly to end of maintained section, 0.5 km.

186. **St. Andrews River Road**, from Route 224 at Shubenacadie easterly to Lynch Road/MacPhee Road, 2.0 km.
187. **Staples Brook Road**, from East Folly Mountain Road easterly to Upper Belmont Road, 5.2 km.
188. **Station Road**, from Highway 104 Exit 10 northerly to Mines Bass River Road at Flemmings Bridge, 6.6 km.
189. **Stevens Cross Road**, from Trunk 4 southerly to Old Pictou Road, 0.8 km.
190. **Stevens Road**, from Alton Road easterly to Forest Glen Road, 3.4 km.
191. **Stewarts Road**, from Clydesdale Road westerly to Squire William MacKay Road, 0.8 km.
192. **Stewiacke River Park Road**, from Alton Road easterly to Stewiacke River Park Gate, 2.7 km.
193. **Stewiacke Road**, from Meadowvale Road westerly to Glenmore Road, 6.4 km.
194. **Stewiacke Road**, from Stewiacke town line easterly to Glenmore Road, 15.3 km.
195. **Sullivan Road**, from Route 311 westerly to end of listing, 1.0 km.
196. **Sutherland Road**, from Route 311 southerly to end of listing, 1.6 km.
197. **Tattrie Settlement Road**, from Trunk 6 north of Tatamagouche westerly to Slade Road, 5.9 km.
198. **Tidal Bore Road**, from Trunk 2 southerly to end of listing, 0.6 km.
199. **Trout Brook Road**, from Lake Road northerly to Tattrie Settlement Road, 1.6 km.
200. **Truro Heights Connector**, from Truro Heights Road easterly to Truro town line, 0.9 km.
201. **Truro Heights Road**, from Treaty Connector northerly to Route 236, 4.1 km.
202. **Truro Road**, from Chisholm Road southerly to end of listing, 1.0 km.
203. **Truro Road**, from Route 246 at Tatamagouche southerly to Cross Road, 26.5 km.
204. **Truro Road**, from Trunk 2 easterly to Truro town line, 3.9 km.
205. **Tupper Reid Road**, from Gray Road easterly to Middle Road, 1.6 km.
206. **Union 2 Road**, from Lilyvale Road northerly to end of listing, 4.7 km.
207. **Union Road**, from Greenfield Road northerly to Union #2 Road, 3.1 km.
208. **Upham Road**, from Shore Road northerly to Trunk 2, 0.6 km.
209. **Upper Belmont Road**, from Staples Brook Road northerly to end of listing, 4.3 km.
210. **Upper Brookfield Road**, from Route 289 northerly to end of listing, 7.3 km.
211. **Upper Brookside Road**, from Route 311 in North River southerly to Brookside Road, 5.6 km.
212. **Upper Pembroke Road**, from Cross Road westerly to Pembroke Road, 0.2 km.
213. **Upper River John Road**, from Pictou County line westerly to Loop of Route 311, 9.3 km.
214. **Upper Road**, from Mines Bass River Road easterly to end of listing, 2.5 km.
215. **Valley Road**, from Salmon River Road easterly to East Mountain Road, 5.2 km.
216. **Valleydale Road**, from Valley Road southerly to Greenfield Road, 2.5 km.
217. **Vimy Road**, from College Road northerly to Farnham Road, 1.5 km.
218. **Wallace Grant Road**, from Trunk 6 at Upper Malagash westerly to Cumberland County line, 0.9 km.

219. **West North River Road**, from Onslow Road northerly to Truro Road, 5.4 km.
220. **West Tatamagouche Road**, from Slade Road at French River westerly to Lake Road, 8.2 km.
221. **Westchester Road**, from Acadia Mines Bridge northerly to Cumberland County line, 5.7 km.
222. **William George Johnson Road**, from East Mountain Road northerly to Trunk 4, 1.7 km.
223. **William Russell Road**, from Russell Cross Road northerly to Irwin Lake Road, 1.9 km.
224. **Willow Church Road**, from Route 311 southerly to Truro Road, 8.7 km.
225. **Wilson Mountain Road**, from Greenfield Road southerly to end of listing, 0.8 km.
226. **Wittenburg Road**, from Alton Road southerly to Halifax County line, 8.6 km.
227. **Wright Road**, from Wittenburg Road southerly to end of listing, 1.7 km.

Cumberland County

1. **Trunk 2**, from Highway 104 northerly to Robert Angus Drive, 0.5 km.
2. **Trunk 2**, from Route 302 southerly to Little Forks Road, 9.8 km.
3. **Trunk 2**, from Parrsboro town line easterly to west side of Fullerton Bridge, 6.0 km.
4. **Trunk 6**, from Amherst town line easterly to Durham Street in Pugwash, 46.5 km.
5. **Trunk 6**, from Route 368 at Head of Wallace Bay easterly to Colchester County line, 17.6 km.
6. **Route 204**, from 0.3 km east of Little River Bridge easterly to Oxford town line, 3.5 km.
7. **Route 204**, from Amherst town line easterly to Pumping Station Road, 1.5 km.
8. **Route 204**, from Nappan Road easterly to 0.3 km west of Little River Bridge, 24.3 km.
9. **Route 204**, from Oxford town line easterly to Route 368, 18.7 km.
10. **Route 209**, from Trunk 2 westerly to West Advocate Road, 45.7 km.
11. **Route 242**, from Shulie Road at Joggins easterly to Route 302 at Maccan, 18.5 km.
12. **Route 246**, from Highway 104 at Wentworth easterly to Colchester County line, 8.4 km.
13. **Route 301**, from Trunk 6 at Port Howe southerly to Oxford town line, 15.0 km.
14. **Route 302**, from Trunk 2 south of Upper Nappan southerly to Roy Hoeggs Mill, 19.5 km.
15. **Route 307**, from Highway 104 at Wentworth Centre northerly to Trunk 6 at Wallace, 19.5 km.
16. **Route 321**, from Oxford town line northerly to JD Irving wood lot road in Roslin, 7.8 km.
17. **Route 321**, from Trunk 6 in Port Philip southerly to Robert Acker & Son's road, 1.6 km.
18. **Route 321**, from Wyvern Road at River Philip westerly to Springhill town line, 11.7 km.
19. **Route 366**, from Mud Creek Road westerly to Trunk 6 at Amherst, 36.1 km.
20. **Route 366**, from Shinimicas Road at Northport easterly to Trunk 6, 12.9 km.
21. **Aboiteau Road**, from Trunk 6 northerly to North Wallace Road, 1.9 km.
22. **Angovine Road**, from Route 307 easterly to end of listing, 1.6 km.
23. **Athol Road**, from Route 302 in Athol southerly to Springhill town line, 12.4 km.
24. **Atkinson Road**, from Trunk 2 in Southhampton easterly to Canaan Road, 1.8 km.
25. **Back Road**, from Route 209 westerly to Cape D'Or Road, 0.6 km.

26. **Barronsfield Road**, from Lower Cover Road southerly to just north of Bailey Bridge, 17.3 km.
27. **Baxter Road**, from Route 366 northerly to end of listing, 0.8 km.
28. **Beckwith Road**, from Mansfield Road easterly to Trunk 6, 8.5 km.
29. **Beecham Road**, from Trunk 6 in Amherst northerly to Route 366 at Tidnish Crossroads, 1.2 km.
30. **Bennett Hill Road**, from Route 209 northerly to end of listing, 1.9 km.
31. **Bert McLead Road**, from Leicester Road southerly to end of listing, 1.0 km.
32. **Blue Sea Road**, from Malagash Road northerly to end of listing, 3.8 km.
33. **Boars Back Road**, from Route 242 in River Hebert East westerly to Nova Scotia DNR rifle range road, 3.6 km.
34. **Boars Back Road**, from Trunk 2 northerly to Chignecto Game Sanctuary Road, 9.1 km.
35. **Brook Branch**, from Brook Road northerly to end of listing, 0.2 km.
36. **Brook Road**, from Route 209 northerly to Brook Branch, 0.6 km.
37. **Canaan Road**, from Atkinson Road southerly to JD Irving wood lot road on east side of Canaan Road, 1.4 km.
38. **Cape D'Or Road**, from Back Road southerly to end of listing, 3.8 km.
39. **Carrington Road**, from Route 301 northerly to Leicester Road, 2.3 km.
40. **Chapman Settlement Road**, from Beecham Road northerly to Route 366, 7.9 km.
41. **Chase Road**, from Mount Pleasant Road northerly to end of listing, 1.0 km.
42. **Cole Road**, from Highland Road easterly to end of listing, 0.6 km.
43. **Conns Mill Road**, from Route 204 northerly to Hansford Road, 1.4 km.
44. **Cove Road**, from Route 204 westerly to end of listing, 1.0 km.
45. **Crowley Road**, from Middleboro Road northerly to Hartford Road, 0.6 km.
46. **Dickson Road**, from Route 301 westerly to Mount Pleasant Road, 6.0 km.
47. **Diligent River Road**, from Route 209 southerly to Ramshead River Road, 2.4 km.
48. **Eddy Road**, from Amherst town line easterly to Fort Lawrence Road, 3.6 km.
49. **Fage Road**, from Hastings Road easterly to end of listing, 0.8 km.
50. **Farmington Road**, from Wentworth Collingwood Road southerly to Wyvern Road, 9.1 km.
51. **Fenwick Road**, from west of Route 204 (at parallel access road) westerly to Route 302, 8.0 km.
52. **Ferry Road**, from Trunk 6 northerly to Fox Harbour South Road, 3.8 km.
53. **Field Road**, from Trunk 6 northerly to Route 366, 1.5 km.
54. **Fort Lawence Road**, from Highway 104 northerly to end of listing, 4.2 km.
55. **Fox Point Road**, from Route 209 southerly to end of listing, 1.3 km.
56. **Fox Ranch Road**, from John Black Road northerly to Trunk 6, 1.8 km.
57. **Fox River Road**, from Route 209 northerly to south side of Carey Bridge, 2.9 km.
58. **Fraser Road**, from North Road easterly to Wentworth Collingwood Road, 1.7 km.

59. **Goodwin Road**, from Chapman Settlement Road northerly to Route 366, 5.1 km.
60. **Green Road**, from JD Irving wood lot road near Tidnish River northerly to Route 366 at Tidnish Bridge, 4.1 km.
61. **Greeno Road**, from Chapman Settlement Road southerly to Mud Creek Road, 5.6 km.
62. **Greenville Road**, from Trunk 4 at Mahoneys Corner southerly to Wentworth Collingwood Road, 9.6 km.
63. **Gulf Shore Road**, from pulp yard north of Pugwash easterly to JD Irving road on south side of road, 5.9 km.
64. **Hansford Road**, from Conns Mills Road easterly to end of listing, 1.0 km.
65. **Hansford Road**, from Thomson Road westerly to end of listing, 1.9 km.
66. **Harrison Road**, from Route 242 southerly to end of listing, 1.0 km.
67. **Hartford Road**, from Conns Mills Road easterly to Pugwash Junction Road, 8.0 km.
68. **Hastings Branch Road**, from Hastings Road easterly to end of listing, 1.2 km.
69. **Hastings Road**, from Route 204 northerly to Fage Road, 3.6 km.
70. **Hastings Road**, from Trunk 6 at Warren southerly to Travis Road, 2.3 km.
71. **Hatfield Road**, from Route 209 southerly to end of listing, 1.4 km.
72. **Heather Beach Road**, from Toney Bay Road easterly to Route 366, 2.3 km.
73. **Hickey Branch**, from McInnis Road easterly to Smith Road, 1.4 km.
74. **Higgins Mountain Road**, from Valley Road southerly to end of listing, 5.6 km.
75. **Higgs Road**, from Fenwick Road northerly to Route 302, 1.8 km.
76. **Highland Road**, from Colchester County line northerly to Malagash Road at Richmond, 5.0 km.
77. **Horton Point Road**, from North Shore Road northerly to end of listing, 1.1 km.
78. **Hunter Road**, from Trunk 4 at West Wentworth northerly to end of listing, 2.5 km.
79. **Hunter Road**, from Trunk 4 at West Wentworth southerly to JD Irving wood lot road, 2.0 km.
80. **Island Road**, from Malagash Road southerly to end of listing, 1.0 km.
81. **Joe Bert Road**, from Route 366 easterly to Beecham Road, 2.7 km.
82. **Joe Maine Road**, from Route 204 northerly to Hansford Road, 1.8 km.
83. **John Black Road**, from Willow Street northerly to Trunk 6, 3.2 km.
84. **John King Road**, from Dickson Road westerly to Mount Pleasant Road, 0.6 km.
85. **Jungle Road**, from Thomson Road at Thomson Station southerly to JD Irving yard at Oxford Junction, 6.9 km.
86. **Kirk Hill Road**, from Route 209 northerly to Harrison's access road, 6.5 km.
87. **Klondike Road**, from Trunk 6 southerly to end of listing, 0.7 km.
88. **Lake Killarney Road**, from Mount Pleasant Road northerly to Trunk 6, 3.2 km.
89. **Lake Road**, from Trunk 4 easterly to Colchester County line, 6.3 km.
90. **Lake Road**, from Barronsfield Road northerly to Lower Cove Road, 3.4 km.

91. **Lakelands Road**, from Trunk 2 easterly to Newville Road, 0.8 km.
92. **Little Forks Road**, from Route 302 northerly to Highway 104, 12.9 km.
93. **Lower Cove Road**, from Barronsfield Road westerly to end of listing, 0.7 km.
94. **Lower Maccan Road**, from Route 242 northerly to access road on east side of Lower Maccan Road, 2.2 km.
95. **Malagash Road**, from Route 307 easterly to Blue Sea Road, 17.9 km.
96. **Mansfield Road**, from Route 204 northerly to Mount Pleasant Road, 7.6 km.
97. **Manship Road**, from Trunk 6 southerly to end of listing, 3.9 km.
98. **McDonald Road**, from Route 204 southerly to end of listing, 3.5 km.
99. **McInnis Road**, from Trunk 6 easterly to Smith Road, 3.3 km.
100. **Middleboro Road**, from Route 368 westerly to Crowley Road, 3.6 km.
101. **Miller Road**, from Trunk 6 easterly to McFarlane Road, 4.9 km.
102. **Mines Road**, from Route 302 northerly to Fenwick Road, 4.8 km.
103. **Mitchell Road**, from Middleboro Road northerly to Pugwash Junction Road, 3.4 km.
104. **Mount Pleasant Road**, from Route 301 northerly to access road 1.5 km north of Mansfield Road, 10.3 km.
105. **Mount Whatley Road**, from Fort Lawrence Road westerly to New Brunswick Border, 1.5 km.
106. **Mud Creek Road**, from Greeno Road northerly to end of listing, 2.0 km.
107. **Mud Creek Road**, from Route 366 at Northport southerly to end of listing, 1.7 km.
108. **Munro Road**, from North Wallace Road northerly to end of listing, 0.8 km.
109. **Newville Road**, from Lakelands Road northerly to end of listing, 2.0 km.
110. **Newville Road**, from Lakelands Road southerly to end of listing, 3.0 km.
111. **North Greenville Road**, from Collingwood Westchester Road northerly to JD Irving wood lot road, 1.5 km.
112. **North Greville Road**, from Route 209 northerly to south side of Falls Bridge, 2.1 km.
113. **North Road**, from Wentworth Collingwood Road westerly to Silica Road, 5.3 km.
114. **North Shore Road**, from Trunk 6 easterly to Blue Sea Road, 14.9 km.
115. **North Street**, from Route 321 westerly to Springhill town line, 2.0 km.
116. **North Wallace Road**, from Trunk 6 easterly to Fox Harbour Road, 16.3 km.
117. **Old Farm Road**, from Two Islands Road southerly to end of listing, 0.6 km.
118. **Old Halifax Road**, from Route 204 easterly to end of pavement, 2.4 km.
119. **Old Halifax Road**, from Route 321 at Glenvale westerly to Highway 142, 6.3 km.
120. **Old Halifax Road**, from Reid Settlement Road easterly to DNR fire road, 0.6 km.
121. **Old Rodney Road**, from Rodney Road westerly to end of listing, 1.3 km.
122. **Pleasant Valley Road**, from Route 321 southerly to end of listing, 1.8 km.
123. **Pugwash Junction Road**, from Hartford Road easterly to Route 368, 2.5 km.

124. **Pugwash Point Road**, from Gulf Shore Road northerly to end of listing, 1.9 km.
125. **Pugwash River Road**, from Trunk 6 at West Pugwash southerly to Thomson Road at Conns Mills, 10.7 km.
126. **Pumping Station Road**, from Route 204 northerly to Hastings Road, 4.6 km.
127. **Rabbittown Road**, from Crowley Road easterly to Trunk 6, 1.8 km.
128. **Ramshead River Road**, from Route 209 northerly to York Settlement Road, 1.1 km.
129. **Reid Settlement Road**, from Highway 104 Exit 5 at Springhill northerly to end of listing, 2.0 km.
130. **Ripley Road #3**, from Trunk 6 at Truemanville easterly to Trunk 6 (loop), 3.5 km.
131. **River Philip Station Road**, from Route 321 northerly to CNR Crossing, 0.6 km.
132. **Riverside Drive**, from Route 302 southerly to end of listing, 0.6 km.
133. **Robinson Road**, from Trunk 6 southerly to end of listing, 1.4 km.
134. **Rodney Branch**, from Rodney Road northerly to Trunk 2, 0.6 km.
135. **Rodney Road**, from Windham Hill Road westerly to Trunk 2 at Leamington School, 5.5 km.
136. **Saltsprings Road**, from Route 321 at Saltsprings northerly to Old Halifax Road, 4.0 km.
137. **Shinimicas Road**, from West Linden Road northerly to end of listing, 1.8 km.
138. **Shulie Road**, from Route 242 at Joggins southerly to JD Irving wood lot road, 16.2 km.
139. **Silica Road**, from North Road northerly to Thomson Road, 0.5 km.
140. **Smith Hollow Road**, from Parrsboro town line northerly to end of listing, 3.1 km.
141. **Smith Road**, from Malagash Road northerly to North Shore Road, 3.3 km.
142. **South Brook Road**, from Trunk 2 southerly to end of listing, 5.7 km.
143. **Southampton Road**, from Highway 104 southerly to Route 302 at Nappan, 7.5 km.
144. **Station Street**, from Riverside Drive easterly to end of listing, 0.4 km.
145. **Stewart Road**, from Pugwash River Road westerly to end of listing, 1.7 km.
146. **Swallow Road**, from Trunk 4 easterly to Route 246, 6.9 km.
147. **Swan Creek Road**, from Trunk 2 southerly to JD Irving wood lot road on right side of road, 1.9 km.
148. **Thompson Road**, from Route 204 in Birchwood southerly to 1.0 km south of Silica Road, 13.9 km.
149. **Thompson Road**, from Trunk 6 southerly to JD Irving wood lot road on right side of Thompson Road, 3.2 km.
150. **Thomson Road**, from Route 204 at Birchwood northerly to Pugwash River Road at Conns Mills, 9.7 km.
151. **Thunder Hill Road**, from Trunk 2 easterly to West Brook Road, 4.7 km.
152. **Tidnish Linden Road**, from Trunk 6 northerly to Route 366, 1.5 km.
153. **Toney Bay Road**, from Route 366 easterly to end of listing, 2.5 km.
154. **Travis Road**, from Hastings Road easterly to end of listing, 3.4 km.
155. **Trider Road**, from Route 302 easterly to Mines Road, 2.0 km.
156. **Two Island Road**, from Parrsboro town line easterly to end of listing, 8.6 km.

157. **Valley Road**, from Wentworth Collingwood Road easterly to wood lot road on left-hand side of road, 5.0 km.
158. **Wallace Grant Road**, from Highland Road at Richmond easterly to Colchester County line, 4.9 km.
159. **Wallace River West Road**, from Trunk 6 at Wallace Bridge southerly to Route 368, 6.0 km.
160. **Wentworth Collingwood Road**, from Greenville Road westerly to Wyvern Road at Collingwood, 22.9 km.
161. **Wentworth Collingwood Road**, from Trunk 4 at Wentworth westerly to Valley Road, 10.4 km.
162. **West Linden Road**, from Trunk 6 northerly to Shinimicas Road, 5.0 km.
163. **Westchester Road**, from Wentworth Collingwood Road southerly to Colchester County line, 14.2 km.
164. **Willow Street**, from Route 204 northerly to Amherst town line, 2.4 km.
165. **Windham Hill Road**, from Springhill town line easterly to Wyvern Road, 13.5 km.
166. **York Settlement Road**, from Ramshead River Road northerly to Harrison's access road, 5.0 km.

Digby County

1. **Trunk 1**, from C Boudreau Road southerly to Felix Road, 3.4 km.
2. **Route 217**, from East Ferry northerly to Middle Cross Road, 39.5 km.
3. **Route 340**, from Trunk 1 at Weymouth southerly to Lewis Sawmill Limited, 1.2 km.
4. **Route 340**, from Township Line Road southerly to Yarmouth County line at Richmond, 36.0 km.
5. **Acacia Valley Road**, from Highway 101 southerly to Ridge Road, 1.7 km.
6. **Amirault Road**, from Trunk 1 easterly to Saulnierville Road, 2.3 km.
7. **Arcadia Road**, from Church Hill Road easterly to end of listing, 1.5 km.
8. **Back Road**, from Highway 101 at Joggin Bridge southerly to Landsdowne Road, 3.2 km.
9. **Barnes Lake Road**, from Morganville Road westerly to end of listing, 1.4 km.
10. **Bay Road**, from Route 217 northerly to end of listing, 1.4 km.
11. **Bayview & Shore Road**, from Route 303 northerly to Lighthouse Road, 3.3 km.
12. **Bear Cove Road**, from Trunk 1 southerly to Trunk 1, 3.6 km.
13. **Beaver Lane**, from Ginny Hill Road southerly to end of listing, 0.5 km.
14. **Beechwood Lane**, from Acacia Valley Road northerly to end of listing, 0.9 km.
15. **Bloomfield Cross Road**, from Highway 101 southerly to Ridge Road, 5.2 km.
16. **Bloomfield Road**, from Ridge Road westerly to end of pavement, 1.0 km.
17. **Bourneufs Wharf Road**, from Trunk 1 northerly to end of listing at Bourneufs Wharf, 0.5 km.
18. **Broad Cove Road**, from Route 217 at Roxville northerly to Daley Quarry, 1.8 km.
19. **Brooks Road**, from Highway 101 northerly to Fort Point Road, 1.3 km.
20. **C LeBlanc Branch**, from Trunk 1 easterly to C Boudreau Road, 0.9 km.
21. **C Saulnier Road**, from Trunk 1 easterly to Maza Road, 2.8 km.
22. **Cedarwood Lake Road**, from Green Road southerly to end of listing at Cedarwood Lake, 5.1 km.

23. **Christopher Dugas Road**, from Trunk 1 southerly to end of listing, 5.0 km.
24. **Church Hill Road**, from Route 217 northerly to Route 217, 2.1 km.
25. **Clark Road**, from Landsdowne Road easterly to Sissiboo Road at Bear River, 2.6 km.
26. **Couttreau Road**, from Little Brook Connector easterly to end of listing, 1.0 km.
27. **Danvers Road**, from Langford Road easterly to end of listing, 6.1 km.
28. **Doucette Point**, from Trunk 1 westerly to end of listing, 1.3 km.
29. **Doucetteville Road**, from Gilberts Cove Road northerly to North Range Cross Road, 4.6 km.
30. **East Old Post Road**, from Old Trunk 1 easterly to Highway 101, 1.0 km.
31. **Flat Iron West Road**, from Route 303 at Digby southerly to Upper Cross Road, 0.8 km.
32. **Forman Gaudet Road**, from Route 340 southerly to end of listing, 4.1 km.
33. **Fort Point Road**, from Trunk 1 at Weymouth northerly to end at wharf, 0.7 km.
34. **French Road**, from Highway 101 southerly to Doucetteville Road, 10.4 km.
35. **Gaudet Road**, from Trunk 1 easterly to end of listing, 0.5 km.
36. **Gilberts Cove Road**, from Doucetteville Road southerly to entrance to Fire Tower, 4.8 km.
37. **Gilberts Cove Road**, from Highway 101 at Gilberts Cove southerly to 0.3 km south of old railway, 5.0 km.
38. **Ginny Hill Road**, from Highway 101 southerly to Marshalltown Road, 0.3 km.
39. **Green Road**, from Route 340 southerly to Forman Gaudet Road, 1.9 km.
40. **Griffiths Road**, from Route 340 southerly to end of listing, 6.2 km.
41. **Gullivers Cove Road**, from Route 217 northerly to end of listing, 3.6 km.
42. **Jordantown Cross Road**, from Beachwood Lane southerly to end of listing, 2.0 km.
43. **Jordantown Road**, from Marshalltown Road easterly to Ridge Road, 2.1 km.
44. **Jovite Road**, from Duffy Road northerly to Saulnierville Road, 1.1 km.
45. **Kinney Road**, from Highway 101 northerly to end of listing, 1.5 km.
46. **Lake Hill Road**, from Lake Lemarchant northerly to Bear River Reserve Line, 7.4 km.
47. **Landsdowne Road**, from Back Road easterly to Clark Road at Bear River, 3.3 km.
48. **Landsdowne Road**, from River Road easterly to Annapolis County line, 0.1 km.
49. **Langford Road**, from Route 340 southerly to 2.0 km southeast of Riverdale Road, 8.0 km.
50. **Lent Road**, from New Road westerly to Trunk 1, 0.6 km.
51. **Lewiston Road**, from Highway 101 at Ashmore easterly to end of listing, 2.0 km.
52. **Lighthouse Road**, from Culloden Road northerly to end of listing at Lighthouse, 7.1 km.
53. **Mardigras Road**, from Trunk 1 easterly to end of listing, 4.8 km.
54. **Mark Melanson Road**, from P F Comeau Road northerly to Little Brook Connector, 1.3 km.
55. **Marshalltown Road**, from Highway 101 at Marshalltown easterly to Maud Lewis Road, 2.2 km.
56. **Maud Lewis Lane**, from Highway 101 southerly to Marshalltown Road, 0.6 km.

57. **Meagher Road**, from Ridge Road southerly to end of listing, 1.5 km.
58. **Melanson Mill Road**, from Route 340 northerly to end of listing at Wentworth Lake, 1.2 km.
59. **Middle Cross Road**, from Route 217 southerly to Highway 101 at Marshalltown, 4.2 km.
60. **Morganville Road**, from Sissiboo Road southerly to JD Irving forestry road, 8.8 km.
61. **New Edinburgh Road**, from Riverside Road northerly to Riverside Road, 3.4 km.
62. **New Road**, from Trunk 1 northerly to Trunk 1, 2.8 km.
63. **North Old Post Road**, from Old Trunk 1 easterly to Old Trunk 1, 0.5 km.
64. **North Range Cross Road**, from Highway 101 southerly to end of listing, 13.2 km.
65. **O'Brien Road**, from Sissiboo Road southerly to end of listing, 4.5 km.
66. **Old Yarmouth Road**, from Route 340 northerly to Weymouth Falls Road, 2.6 km.
67. **Rabbit Road**, from Route 340 easterly to end of listing, 2.0 km.
68. **Ridge Road**, from North Range Cross Road westerly to French Road, 5.1 km.
69. **Ridge Road**, from Acacia Valley Road southerly to Bloomfield Road, 4.2 km.
70. **River Road**, from Highway 101 southerly to Landsdowne Road at Bear River, 6.0 km.
71. **Riverdale Road**, from Langford Road easterly to Provost Lake Bridge, 3.9 km.
72. **Riverside Road**, from Trunk 1 easterly to Trunk 1, 8.8 km.
73. **Riverview Drive**, from Riverside Road easterly to Riverside Road, 0.6 km.
74. **Ross Road**, from Trunk 1 westerly to end of listing, 0.7 km.
75. **S F Comeau Road**, from Little Brook Connector easterly to end of listing, 1.3 km.
76. **Sears Mullen Road**, from Route 340 westerly to Major Road, 4.9 km.
77. **Sissiboo Road**, from Clark Road at Bear River westerly to Gilberts Cove Road, 22.4 km.
78. **South Range Cross Road**, from Ridge Road southerly to Sissiboo Road, 4.0 km.
79. **Sunset Drive**, from East Old Post Road southerly to Landsdowne Road, 4.4 km.
80. **Timpany Road**, from Route 217 southerly to end of listing, 1.3 km.
81. **Tom Wallace Road**, from Morganville Road southerly to end of listing, 6.8 km.
82. **Tommys Branch**, from Route 217 westerly to end of listing at Bay of Fundy, 1.6 km.
83. **Upper Cross Road**, from Flat Iron West Road northerly to Digby Salvage Yard, 0.6 km.
84. **Whale Cove Road**, from Route 217 westerly to end of listing, 2.0 km.

Guysborough County

1. **Trunk 7**, from Department Salt Shed near Sherbrooke westerly to Halifax County line, 40.3 km.
2. **Trunk 16**, from Department Garage at Guysborough southerly to Sandy Cove Brook Bridge, 7.5 km.
3. **Route 211**, from Trunk 7 easterly to Country Harbour Ferry, 33.3 km.
4. **Route 211**, from Route 316 southerly to Country Harbour Ferry Crossing, 3.1 km.
5. **Route 276**, from Trunk 7 at South Lochaber easterly to Route 316 at Goshen, 5.4 km.
6. **Route 316**, from Antigonish County line southerly to Drum Head Wharf Road, 52.0 km.

7. **Route 344**, from Route 16 at Boylston easterly to Old Welsh Road, 12.3 km.
8. **Route 347**, from Pictou County line southerly to Trunk 7, 13.0 km.
9. **Route 348**, from Pictou County line easterly to Glenelg Church Road, 35.2 km.
10. **Antigonish-Guysborough Road**, from Upper Glencoe Road easterly to Trunk 16 at Boylston, 17.3 km.
11. **Argyle Road**, from Route 316 southerly to Stearns Road, 1.9 km.
12. **Aspen Loop**, from Trunk 7 northerly to Trunk 7, 0.4 km.
13. **Avenue Road**, from Senora Road easterly to end of listing, 0.2 km.
14. **Back Road**, from East Side Harbour Road easterly to Cross Roads Road, 2.8 km.
15. **Barrachois Road**, from Wine Harbour Road easterly to end of listing, 1.0 km.
16. **Bennetts Loop**, from Trunk 7 easterly to Trunk 7, 0.3 km.
17. **Bill Hapes Road**, from Trunk 7 southerly to end of listing, 0.2 km.
18. **Bob Breens Loop**, from Trunk 7 easterly to Trunk 7, 0.1 km.
19. **Borneo Road**, from Route 316 southerly to Melrose Road, 4.2 km.
20. **Briggs Road**, from Trunk 7 southerly to end of listing, 0.7 km.
21. **Charles Kaisers Road**, from Pork Bickerton Village Road southerly to end of listing, 0.3 km.
22. **Cheese Factory Road**, from Antigonish County line southerly to Route 316, 1.6 km.
23. **Church Street**, from Green Street northerly to Tompkinsville Road and Old Riverside Road, 0.9 km.
24. **Clam Harbour Road**, from Route 344 southerly to end of listing at shore, 0.9 km.
25. **Clooneys Hill Road**, from Trunk 7 easterly to Route 211, 3.8 km.
26. **College Road**, from Route 347 easterly to Trunk 7 at South Lochaber, 9.4 km.
27. **Country Harbour Loop**, from Route 316 easterly to Route 316, 0.4 km.
28. **Cove Loop**, from Trunk 7 easterly to Trunk 7, 0.3 km.
29. **Cross Roads Road**, from Moose Point Road northerly to Route 344, 3.6 km.
30. **Dean Settlement Road**, from Halifax County line easterly to Route 374, 2.9 km.
31. **Drum Head Loop**, from Route 316 easterly to Route 316, 0.1 km.
32. **Drum Head Road**, from Drum Head Wharf Road westerly to end of listing, 0.3 km.
33. **Drum Head Wharf Road**, from Drum Head Loop southerly to end of listing, 0.5 km.
34. **East Side Bickerton Road**, from Route 211 southerly to end of listing at lighthouse, 1.0 km.
35. **East Side Harbour Road**, from Trunk 16 southerly to Moose Point Road, 5.6 km.
36. **Elm Drive**, from Port Bickerton Village Road westerly to end of listing, 0.1 km.
37. **Fanning Road**, from Drum Head Loop southerly to end of maintained section, 0.1 km.
38. **Farrell Road**, from Lower Glencoe Road northerly to Stora's Croak Lake Road, 0.5 km.
39. **Fisher Archibald Road**, from Route 347 westerly to end of listing, 2.0 km.
40. **Fishermans Harbour Road**, from Route 211 easterly to end of listing, 4.3 km.
41. **Fleet Lane**, from Trunk 7 southerly to end of listing, 0.3 km.

42. **Fleets Loop**, from Trunk 7 easterly to Trunk 7, 0.5 km.
43. **Forbes Branch**, from Copper Lake Road easterly to Cheese Factory Road, 3.0 km.
44. **Fourth Street**, from Trunk 7 at Sherbrooke southerly to Sonora Road, 0.7 km.
45. **Gillens Branch**, from Gillens Road southerly to end of listing, 0.1 km.
46. **Gillens Road**, from Sonora Road southerly to end of maintained section, 3.3 km.
47. **Glenelg Church Road**, from Trunk 7 at Aspen southerly to Route 348 at Glenelg, 5.0 km.
48. **Goldboro Branch**, from Route 316 easterly to end of listing, 6.0 km.
49. **Goldenville Road**, from Trunk 7 westerly to end of listing, 2.0 km.
50. **Gracie E Fleet Road**, from Trunk 7 westerly to end of listing, 0.2 km.
51. **Grovers Road**, from Route 316 southerly to end of listing, 1.2 km.
52. **Guysborough-Country Harbour Road**, from Route 316 easterly to South River Lake Road, 19.2 km.
53. **H. MacDonald Loop**, from Route 211 easterly to Red Hill Road, 0.6 km.
54. **Hall Loop**, from Trunk 7 southerly to Trunk 7, 0.4 km.
55. **Hapes Point Road**, from Trunk 7 southerly to end of listing, 1.0 km.
56. **Harpells Road**, from Route 211 northerly to end of listing, 0.7 km.
57. **Hart Road**, from Route 344 southerly to Route 344, 3.3 km.
58. **Heatherton Road**, from Antigonish-Guysborough Road northerly to Antigonish County line, 5.5 km.
59. **Hendsbee Road**, from Route 316 at Eight Island Lake southerly to Stora's private road, 3.4 km.
60. **Hodgson Road**, from Route 316 northerly to end of listing, 0.3 km.
61. **Hortons Cove Road**, from Trunk 14 westerly to Larrys River Road, 1.9 km.
62. **Hospital Road**, from Trunk 7 northerly to end of maintained section, 0.8 km.
63. **Howard Fishers Loop**, from Trunk 7 northerly to Trunk 7, 0.3 km.
64. **Isaacs Harbour Loop**, from Route 316 southerly to Route 316, 0.5 km.
65. **Isaacs Harbour Road**, from Route 316 southerly to end of listing, 3.3 km.
66. **Jacks Hill Road**, from Port Bickerton Village Road westerly to end of listing, 0.1 km.
67. **John Fentons Loop**, from Route 316 easterly to Route 316, 0.1 km.
68. **Jollotte Road**, from Route 211 easterly to end of listing, 0.2 km.
69. **Kirk Loop**, from Trunk 7 southerly to Trunk 7, 0.4 km.
70. **Larrys River Road**, from Trunk 16 southerly to South River Lake Road, 0.2 km.
71. **Lawlors Loop**, from South River lake Road westerly to end of listing, 0.2 km.
72. **Lawrence Road**, from Trunk 16 southerly to Route 344, 1.1 km.
73. **Lime Cove Road**, from East Side Harbour Road easterly to Cross Roads Road, 2.6 km.
74. **Liscomb Wharf Road**, from Trunk 7 easterly to end of listing at wharf, 0.2 km.
75. **Little Liscomb Road**, from Trunk 7 easterly to end of listing at Redmans Head, 4.6 km.
76. **Little Liscomb Wharf Road**, from Little Liscomb Road southerly to end of listing, 0.2 km.

77. **Lodge Road**, from Trunk 7 westerly to end of listing, 0.4 km.
78. **Lower Glencoe Road**, from Upper Glencoe Road southerly to Farrell Road, 1.5 km.
79. **MacGrath Loop**, from Route 347 northerly to Trunk 7, 0.1 km.
80. **MacGrath Road**, from Route 347 northerly to end of maintained section, 0.2 km.
81. **MacIntosh Loop**, from Route 316 southerly to Route 316, 0.2 km.
82. **MacKinley Point Loop**, from MacKinley Point Road northerly to Trunk 7, 0.3 km.
83. **MacKinley Point Road**, from Trunk 7 easterly to end of listing, 0.6 km.
84. **MacMillan Road**, from Isaacs Harbour Road westerly to end of listing, 0.2 km.
85. **MacPherson Lake Road**, from Route 344 northerly to Nerissa Road, 1.7 km.
86. **Mailmans Point Road**, from Trunk 7 easterly to end of listing, 0.5 km.
87. **Manthorne Road**, from Drum Head Wharf Road westerly to end of listing, 0.1 km.
88. **Marshall Point Road**, from East Side Harbour Road easterly to Route 344, 4.2 km.
89. **Mason Road**, from Route 316 southerly to Route 316, 0.6 km.
90. **McIntosh Road**, from Route 348 westerly to Stora's private road, 1.4 km.
91. **Melrose Country Harbour Road**, from Trunk 7 at Melrose easterly to St. Marys Municipal Line, 7.7 km.
92. **Melrose Road**, from St. Marys Municipal Line easterly to West Side Road, 4.7 km.
93. **Melrose School Road**, from Trunk 7 southerly to Route 348, 0.6 km.
94. **Mills Hill Road**, from Route 211 northerly to end of listing, 0.4 km.
95. **Moose Point Road**, from Marshall Point Road southerly to end of listing, 4.0 km.
96. **Nerissa Road**, from MacPherson Lake Road northerly to Middleton Road, 4.5 km.
97. **New Chester Road**, from Halifax County line northerly to end of listing, 10.3 km.
98. **North Intervale Road**, from Antigonish Guysborough Road northerly to Tramble Road, 11.5 km.
99. **North Ogden Road**, from South River Lake Road northerly to end of listing, 6.1 km.
100. **North Side West River Road**, from Route 348 at Lower Caledonia westerly to Barren Brook Road, 3.0 km.
101. **North Side West River Road**, from Route 348 near Caledonia easterly to Stora's private road, 1.0 km.
102. **Ocean View Drive**, from Port Bickerton Village Road easterly to end of listing, 0.1 km.
103. **Old Antigonish Road**, from Heatherton Road southerly to North Intervale Road, 6.6 km.
104. **Old Church Road**, from Route 348 northerly to Glenelg Church Road, 2.9 km.
105. **Old Country Harbour Road**, from Route 316 at Argyle southerly to Route 316 at Eight Island Lake, 2.7 km.
106. **Old Monastery Road**, from Trunk 16 southerly to North River Side Road, 3.5 km.
107. **Old Road**, from Cooper Lake Road easterly to Route 316, 3.0 km.
108. **Old Welsh Road**, from Route 344 northerly to end of listing, 2.1 km.
109. **Parker Hart Road**, from East Side Harbour Road southerly to end of listing, 0.2 km.

110. **Pellys Loop**, from South River Lake Road easterly to end of maintained section, 0.1 km.
111. **Port Bickerton Village Road**, from Route 211 southerly to end of listing at Fish Plant Wharf, 1.4 km.
112. **Pyes Head Loop**, from Trunk 7 northerly to Trunk 7, 0.3 km.
113. **Pyes Head Road**, from Pyes Head Loop southerly to end of listing at shore, 2.4 km.
114. **Redmans Loop**, from Trunk 7 northerly to Trunk 7, 0.1 km.
115. **Riverview Road**, from East Side Harbour Road easterly to Route 344, 2.5 km.
116. **Shanty Loop**, from Wharf Road westerly to end of listing, 0.1 km.
117. **Short Cut Loop**, from Trunk 7 southerly to Short Cut Road, 0.1 km.
118. **Short Cut Road**, from Trunk 7 easterly to Trunk 7, 1.0 km.
119. **Sonora Loop**, from Sonora Road southerly to Sonora Road, 0.2 km.
120. **Sonora Road**, from Fourth Street southerly to Route 211 at Port Hilford, 20.6 km.
121. **Sonora South Branch**, from Sonora southerly to end of listing, 0.7 km.
122. **Sonora Wharf Road**, from Sonora Road westerly to end of listing, 0.3 km.
123. **South River Lake Road**, from Guysborough-Country Harbour Road easterly to Larrys River Road, 18.8 km.
124. **St. Lukes Church Road**, from Pyes Head Road southerly to end of listing, 0.3 km.
125. **Stearns Road**, from Argyle Road easterly to end of listing, 1.4 km.
126. **Stormont Loop**, from Route 316 easterly to Route 316, 0.2 km.
127. **Tramble Road**, from Antigonish County line southerly to Afton Road, 1.7 km.
128. **Upper Glencoe Road**, from Antigonish-Guysborough Road southerly to Lower Glencoe Road, 3.9 km.
129. **Walters Cove Road**, from Wine Harbour Road southerly to end of listing, 1.8 km.
130. **Waternish Road**, from Route 348 southerly to B Train connecting yard, 0.4 km.
131. **Welsh Beach Road**, from Route 344 southerly to end of listing at Beach, 0.7 km.
132. **Welsh Road**, from Route 316 southerly to Stora's private road, 2.4 km.
133. **West Liscomb Point Road**, from Trunk 7 easterly to end of listing, 8.9 km.
134. **West Sherbrooke Road**, from Bennetts Loop southerly to end of listing, 0.8 km.
135. **West Side Indian Harbour Lake Road**, from Route 211 southerly to Sonora Road, 4.7 km.
136. **West Side Lochaber Lake Road**, from College Road northerly to Antigonish County line, 0.7 km.
137. **West Side Road**, from Melrose Road southerly to end of listing, 10.8 km.
138. **Wharf Loop**, from Trunk 7 easterly to Trunk 7, 0.9 km.
139. **Wharf Road**, from Route 211 southerly to end of listing, 0.6 km.
140. **Wilson Road**, from Trunk 7 easterly to end of listing, 0.4 km.
141. **Wine Harbour Road**, from Sonora Road easterly to Walters Cove Road and Barrachois Road, 1.9 km.

Halifax County

1. **Trunk 1**, from Hants County line southerly to Patton Road, 4.2 km.
2. **Trunk 2**, from Sunnylea Road near Wellington northerly to Highway 102, 10.2 km.
3. **Trunk 3**, from White Birch Road easterly to Highway 103 Exit 4, 6.7 km.
4. **Trunk 7**, from Highway 107 Exit 17 easterly to Lower Grovenor Road near Preston, 1.8 km.
5. **Trunk 7**, from Sandy Lane east of Porters Lake easterly to William Porter Connector, 4.2 km.
6. **Trunk 7**, from Route 207 easterly to Conrad Settlement Road, 3.4 km.
7. **Trunk 7**, from Necum Teuch Loop east of Smith Cove easterly to Guysborough County line, 5.4 km.
8. **Route 207**, from Minesville Road easterly to Trunk 7 near Porters Lake, 24.5 km.
9. **Route 212**, from Grove Street easterly to Route 357 near Elderbank, 28.5 km.
10. **Route 224**, from Colchester County line southerly to Trunk 7 at Sheet Harbour, 78.4 km.
11. **Route 277**, from Colchester County line westerly to Logan Road, 9.1 km.
12. **Route 306**, from HRM line (south) southerly to Route 349 near Sambro, 14.8 km.
13. **Route 333**, from Terence Bay Road near Whites Lake northerly to Department Garage, 16.0 km.
14. **Route 336**, from Colchester County line southerly to Dean Back Road, 5.2 km.
15. **Route 349**, from Bull/Martins Point Road easterly to Sandy Cove Road near Sambro Head, 4.6 km.
16. **Route 354**, from HRM Line northerly to Hants County line, 7.8 km.
17. **Route 357**, from Trunk 7 at Musquodoboit Harbour northerly to Route 224, 38.6 km.
18. **Acorn Drive**, from Trunk 2 northerly to Trunk 2, 1.1 km.
19. **Alder Drive**, from Gull Rock Drive easterly to Trunk 7, 0.4 km.
20. **Alewa Road**, from Myers Point Road easterly to end of listing, 0.4 km.
21. **Anglican Loop**, from Trunk 7 northerly to Trunk 7, 0.3 km.
22. **Aspen Road**, from Route 207 westerly to end of listing, 0.5 km.
23. **Back Road**, from Route 207 northerly to Route 207, 1.3 km.
24. **Baker Point Road**, from East Jeddore Road westerly to end of listing at wharf, 0.6 km.
25. **Baker Road**, from English Point Road southerly to end of listing, 0.4 km.
26. **Bald Rock Road**, from Route 349 southerly to South Property Line of PID 41034257, 2.0 km.
27. **Barkhouse Settlement Road**, from Dufferin Mines Road northerly to end of listing, 1.2 km.
28. **Beaver Harbour Road**, from Trunk 7 southerly to end of maintained section, 1.4 km.
29. **Birchview Road**, from Trunk 7 southerly to Trunk 7, 0.5 km.
30. **Bonin Road**, from Grand Desert Station Road southerly to end of maintained section, 0.5 km.
31. **Boutilliers Settlement Road**, from Trunk 7 southerly to end of maintained section, 1.3 km.
32. **Branch Road**, from Route 224 at Elmsdale northerly to Colchester County line, 4.9 km.
33. **Brandy Spring Diversion**, from Route 357 northerly to Route 357, 0.1 km.
34. **Browns Road**, from Meadow Road easterly to Route 357, 1.1 km.

35. **Brunt Road**, from Route 306 westerly to end of listing at turning circle, 0.3 km.
36. **Burke Loop**, from Route 224 southerly to Route 224, 0.8 km.
37. **Butcher Hill Road**, from Route 224 at Upper Musquodoboit northerly to end of listing, 1.0 km.
38. **Butler Road**, from Cooks Brook Road southerly to Route 212, 6.7 km.
39. **Cameron Loop**, from Trunk 7 northerly to Trunk 7, 0.6 km.
40. **Camp Nedooae Road**, from Meadow Road westerly to Scout Camp, 1.1 km.
41. **Church Point Road**, from Trunk 7 easterly to Trunk 7, 2.4 km.
42. **Club Road**, from Route 306 westerly to end of listing at turning circle, 0.6 km.
43. **Cooks Mill Road**, from Milford Road northerly to Colchester County line, 0.8 km.
44. **Coopers Road**, from Trunk 7 southerly to end of listing at fish plant, 1.8 km.
45. **Cottage Cove Drive**, from Trunk 7 easterly to Trunk 7, 0.4 km.
46. **Cove Road**, from Trunk 7 easterly to end of listing, 0.4 km.
47. **Davidsons Road**, from Trunk 7 northerly to Myra Road, 0.4 km.
48. **Dean Back Road**, from Route 336 southerly to Route 336, 4.9 km.
49. **Dewolf Road**, from Trunk 7 southerly to end of listing, 0.3 km.
50. **Dufferin Mines Road**, from Trunk 7 northerly to Dufferin Mines, 6.0 km.
51. **Dyke Road**, from Route 207 southerly to end of listing, 1.7 km.
52. **East Chezzetcook Road**, from Trunk 7 to Eastern Shore Industrial park, 0.8 km.
53. **East Jeddore Road**, from Trunk 7 southerly to end of listing, 10.3 km.
54. **English Point Road**, from Myers Point Road southerly to cul-de-sac, 1.0 km.
55. **Fern Hill Road**, from Cameron Loop westerly to cul-de-sac, 0.7 km.
56. **Frenchmans Road**, from Trunk 2 northerly to end of turning circle, 2.0 km.
57. **Glasgow Road**, from Crane Hill easterly to Trunk 7, 1.0 km.
58. **Glenmore Road**, from Route 224 at Middle Musquodoboit northerly to end of listing, 3.0 km.
59. **Graham Settlement Road**, from Three Fathom Harbour Road southerly to end of listing, 0.8 km.
60. **Grand Desert Station Road**, from Route 207 westerly to cul-de-sac, 0.8 km.
61. **Gull Rock Drive**, from Trunk 7 easterly to Trunk 7, 0.5 km.
62. **Harbour View Drive**, from Trunk 7 easterly to Trunk 7, 0.6 km.
63. **Harbourview Inn Road**, from Trunk 7 easterly to Trunk 7, 0.1 km.
64. **Hartlin Settlement Road**, from East Jeddore Road northerly to East Jeddore Road, 0.9 km.
65. **Hill Road**, from Route 207 westerly to Bellefontaine Road, 0.6 km.
66. **Jennings Settlement Road**, from Mason Point Road southerly to end of listing, 0.9 km.
67. **Josey Road**, from Trunk 7 easterly to Trunk 7, 0.6 km.
68. **Lake Road**, from Trunk 7 northerly to end of listing, 0.8 km.
69. **Leslie Road**, from Route 207 northerly to cul-de-sac, 2.4 km.

70. **Lewiston Road**, from Malay Falls Lacharbar Mines Road easterly to Route 374, 0.4 km.
71. **Lindie Lane**, from East Jeddore Road southerly to Bakers Point Road, 0.2 km.
72. **Lintlops Road**, from Trunk 7 southerly to end of maintained section, 0.8 km.
73. **Long Road**, from Trunk 7 easterly to end of listing at cul-de-sac, 0.4 km.
74. **Lorianne Drive**, from Trunk 7 easterly to cul-de-sac, 1.0 km.
75. **Lower Governor Road**, from Trunk 7 southerly to end of pavement, 0.6 km.
76. **Lower Lakeville Road**, from Trunk 7 southerly to Clam Harbour Road, 0.8 km.
77. **MacKenzie Road**, from Trunk 7 southerly to end of listing at cul-de-sac, 0.2 km.
78. **Maple Hill Drive**, from Trunk 7 northerly to end of listing, 0.5 km.
79. **Mason Point Road**, from Trunk 7 southerly to Jennings Settlement Road, 0.5 km.
80. **McFetridge Road**, from Route 224 easterly to Route 224, 2.7 km.
81. **Meadow Road**, from Route 224 southerly to Cooks Brook Road, 7.0 km.
82. **Memory Road**, from Park Road easterly to Trunk 7, 0.2 km.
83. **Milford Road**, from Route 277 northerly to Colchester County line, 5.6 km.
84. **Millside Drive**, from Trunk 7 easterly to Trunk 7, 0.4 km.
85. **Mitchell Cove Lane**, from Hartlin Settlement Road easterly to end of maintained section, 0.2 km.
86. **Monks Road**, from Trunk 7 southerly to end of maintained section, 0.6 km.
87. **Monument Loop**, from East Jeddore Road easterly to Trunk 7, 0.4 km.
88. **Murphys Road**, from Lake Egmont Road easterly to Route 212, 4.2 km.
89. **Murphys Road**, from Trunk 7 southerly to end of listing at turning area, 1.4 km.
90. **Myers Point Road**, from Trunk 7 southerly to Trunk 7, 3.2 km.
91. **Navy Pool Loop**, from Trunk 7 northerly to end of listing, 0.3 km.
92. **Nelson Hill Road**, from Milford Road northerly to end of listing, 2.0 km.
93. **Old Harvey Lane**, from Route 207 southerly to Route 207, 0.6 km.
94. **Old Taylors Head Road**, from Spry Bay Village Road southerly to Taylor Head Provincial Park, 0.7 km.
95. **Oldham Road**, from Route 212 northerly to Goffs Line Road, 1.8 km.
96. **Park Road**, from Trunk 7 westerly to Route 357, 0.5 km.
97. **Parker Hill Road**, from Route 224 southerly to end of listing, 0.5 km.
98. **Pass Way**, from Myers Point Road southerly to English Point Road, 0.1 km.
99. **Perry Settlement Road**, from Trunk 7 southerly to end of maintained section, 0.2 km.
100. **Pleasant Harbour Loop**, from Trunk 7 northerly to Trunk 7, 0.7 km.
101. **Pleasant Valley Road**, from Route 224 easterly to end of listing, 5.0 km.
102. **Pool Road**, from Trunk 7 northerly to end of listing, 2.3 km.
103. **Porters Lake Station Road**, from Trunk 7 easterly to turning area, 1.2 km.

104. **Post Office Road**, from Trunk 7 northerly to Trunk 7, 0.7 km.
105. **Sandy Cove Road**, from Route 349 southerly to end of listing at turning area, 1.3 km.
106. **School House Road**, from Route 336 northerly to Dean Back Road, 1.2 km.
107. **Shore Road**, from Route 207 southerly to Route 207, 3.8 km.
108. **St. Peters Loop**, from Trunk 7 northerly to Trunk 7, 0.4 km.
109. **Stewiacke Road**, from Dean Back Road northerly to Colchester County line, 0.7 km.
110. **Sunnyholme Drive**, from Monument Loop northerly to end of listing, 0.5 km.
111. **Sunset Drive**, from Trunk 7 southerly to Passage Road, 0.3 km.
112. **Tanner Avenue**, from West Lawrencetown Road northerly to cul-de-sac, 0.3 km.
113. **Three Fathom Harbour Road**, from Route 207 easterly to Route 207, 3.5 km.
114. **Upper Governor Road**, from Trunk 7 northerly to start of pavement at North Preston, 3.6 km.
115. **Upper Lakeville Road**, from Trunk 7 northerly to end of listing at campground, 3.7 km.
116. **Vinegar Hill Road**, from Milford Road southerly to end of maintained section, 2.6 km.
117. **Walsh Road**, from Coopers Road southerly to end of listing, 0.7 km.
118. **West Lawrencetown Road**, from Route 207 southerly to end of maintained section, 4.3 km.
119. **Whitehead Road**, from Route 306 easterly to end of listing at turning circle, 1.7 km.

Hants County

1. **Trunk 1**, from Hantsport Connector southerly to Windsor town line, 10.0 km.
2. **Trunk 1**, from Hartville Road easterly to Ellershouse Road, 2.9 km.
3. **Trunk 1**, from Trunk 14 south of Windsor easterly to Davis Road, 5.7 km.
4. **Trunk 1**, from Route 215 at Newport Corner southerly to Halifax County line, 22.0 km.
5. **Trunk 2**, from Route 277 at Lantz northerly to Trunk 14 at Milford, 8.8 km.
6. **Trunk 14**, from Highway 101 northerly to Woodville Road, 16.4 km.
7. **Trunk 14**, from 700 m south of Gordon Shaw Concrete Products southerly to Lunenburg County line, 18.0 km.
8. **Trunk 14**, from Highway 102 in Milford westerly to Old Trunk 14 south of Greenfield, 43.9 km.
9. **Route 202**, from Trunk 1 at Lakelands easterly to Trunk 14 at Cheese Factory Corner, 37.8 km.
10. **Route 214**, from Trunk 14 at Nine Mile River southerly to Highway 102 at Elmsdale, 6.3 km.
11. **Route 215**, from Bancroft Road in Walton easterly to Route 354 in Noel, 23.5 km.
12. **Route 215**, from Point Road southerly to Highway 102 Exit 10 at Shubenacadie, 47.8 km.
13. **Route 215**, from Trunk 1 at Newport Corner northerly to McKay Road, 3.4 km.
14. **Route 215**, from Trunk 14 at Union Corner northerly to New Cheverie Road, 25.7 km.
15. **Route 224**, from Highway 102 easterly to Tulley Road, 5.1 km.
16. **Route 236**, from Bishops Road westerly to Gosse Bridge near Colchester County line, 30.7 km.
17. **Route 236**, from Trunk 14 at Union Corner northerly to Atwood Road, 14.2 km.

18. **Route 277**, from Highway 102 southerly to Halifax County line, 1.1 km.
19. **Route 354**, from Route 215 at Noel southerly to Halifax County line, 44.0 km.
20. **Allison Road**, from Georgefield Road easterly to end of listing, 0.6 km.
21. **Alonza Wile Road**, from Wile Settlement Road southerly to end of listing, 1.2 km.
22. **Andy Hayes Road**, from Old Rocks Road southerly to end of listing, 0.9 km.
23. **Ardoise School Road**, from Trunk 1 at Ardoise easterly to Route 202 at Hillsvale, 5.5 km.
24. **Armitage Road**, from Route 215 westerly to end of listing, 1.6 km.
25. **Art Ettinger Road**, from Route 354 southerly to end of listing, 1.9 km.
26. **Asa Laffin Road**, from Northfield Road easterly to end of listing, 2.8 km.
27. **Aylward Road**, from Town Road northerly to end of listing, 1.1 km.
28. **Back Road**, from Trunk 1 southerly to Mines Road, 6.9 km.
29. **Back Road**, from Route 215 southerly to Walton Bridge Road, 1.5 km.
30. **Backlands Road**, from Trunk 14 at Windsor Forks easterly to end of listing, 1.7 km.
31. **Bancroft Road**, from Route 215 easterly to Walton Woods Road, 2.4 km.
32. **Barr Settlement Road**, from Route 202 easterly to end of listing, 1.5 km.
33. **Beaverpond Road**, from Cogmagun Road southerly to Route 215 at Centre Burlington, 3.0 km.
34. **Belmont Road**, from Avondale Road at Avondale easterly to Route 215, 10.7 km.
35. **Bishopville Road**, from Hantsport town line southerly to Hants County line, 2.2 km.
36. **Block Wharf Road**, from Route 215 at Summerville westerly to end of listing, 1.0 km.
37. **Blois Road**, from Indian Road at MacPhees Corner southerly to Robinson Road, 5.0 km.
38. **Bowman Road**, from Trunk 14 northerly to end of listing, 0.5 km.
39. **Brushy Hill Road**, from Route 354 westerly to Scott Paper Road, 6.0 km.
40. **Burgess Road**, from Route 202 northerly to Gore Road, 2.4 km.
41. **Burntcoat Road**, from Route 215 easterly to Route 215 at Noel, 8.5 km.
42. **Card Beach Road**, from Route 215 at Centre Burlington southerly to end of listing, 2.3 km.
43. **Chalmers Anthony Road**, from Route 236 southerly to end of listing, 0.6 km.
44. **Chip Hill Road**, from Belmont Road southerly to Avondale Road, 0.2 km.
45. **Clarksville Road**, from Route 202 westerly to Route 236 in Clarksville, 1.7 km.
46. **Colbert Road**, from Route 354 at Noel Road westerly to end of listing, 4.0 km.
47. **Conrod Road**, from New Ross Road southerly to end of listing, 0.6 km.
48. **Courthouse Hill Road**, from Route 202 near Gore easterly to Route 202 near East Gore, 1.8 km.
49. **CP Thompson Road**, from Trunk 14 near Nine Mile River westerly to end of listing, 1.6 km.
50. **Crombe Road**, from Trunk 2 westerly to Robinson Road, 3.6 km.
51. **Cross 1 Road**, from Summerville Wharf Road easterly to Route 215, 0.2 km.
52. **Cross 3 Road**, from Route 202 northerly to Ashdale Road, 3.8 km.

53. **Cross Road**, from Route 215 westerly to Lynch Road, 0.3 km.
54. **Curry Road**, from Payzant Bog Road easterly to Back Road, 0.3 km.
55. **Davidson Road**, from Mines Road southerly to end of listing, 0.8 km.
56. **Dill Extension**, from Dill Road northerly to end of listing, 0.8 km.
57. **Dill Road**, from Trunk 14 southerly to end of listing, 1.6 km.
58. **Douglas Road**, from Trunk 14 at Centre Rawdon southerly to Elliott Road, 4.0 km.
59. **Dunlop Road**, from Trunk 14 southerly to Route 215, 0.6 km.
60. **East Noel Road**, from Route 236 at Millers Corner northerly to White Settlement Road, 3.7 km.
61. **Egbert Caldwell Road**, from Trunk 14 at Hardwood Lands southerly to end of listing, 1.0 km.
62. **Eldridge Road**, from Back Road westerly to end of listing, 1.9 km.
63. **Ellershouse Road**, from Trunk 1 southerly to Williams Road, 1.8 km.
64. **Emerson White Loop**, from Route 354 northerly to Route 354, 0.5 km.
65. **Etter Road**, from Trunk 1 southerly to Trunk 1, 3.4 km.
66. **Etter Road**, from Route 215 easterly to end of listing, 0.9 km.
67. **Ettinger Road**, from Route 354 near Gormanville easterly to end of listing, 0.8 km.
68. **Everett White Road**, from White Settlement Road southerly to end of maintained section, 1.0 km.
69. **Falmouth Dyke Road**, from Town Road southerly to Sangster Bridge Road, 4.5 km.
70. **Ferry Road**, from Belmont Road southerly to Avondale Road, 3.1 km.
71. **Gabriel Road**, from Trunk 1 at Falmouth southerly to Falmouth Dyke Road, 2.6 km.
72. **Georgefield Road**, from Route 236 southerly to Indian Road, 14.3 km.
73. **Green Lane**, from Gabriel Road easterly to Town Road, 0.5 km.
74. **Green Street**, from Trunk 1 southerly to end of listing, 0.7 km.
75. **Greenhill Road**, from Woodville Road southerly to Ardoise School Road, 4.1 km.
76. **Hanson Road**, from Back Road easterly to Falmouth Dyke Road, 1.1 km.
77. **Hardwood Hill Road**, from Route 354 northerly to Route 215, 0.7 km.
78. **Harry Bond Road**, from Trunk 14 southerly to turning circle, 0.9 km.
79. **Hart Road**, from Trunk 14 at Smiths Corner westerly to end of listing, 0.4 km.
80. **Hour Road**, from Route 354 at Kennetcook southerly to Route 354, 0.6 km.
81. **Indian Road**, from Trunk 14 at Cheese Factory Corner easterly to Irving Road at MacPhees Corner, 14.9 km.
82. **Irishmans Road**, from Trunk 14 at Gypsum Mines southerly to Wentworth Road, 1.9 km.
83. **Lawrence Road**, from Route 236 easterly to end of listing, 0.7 km.
84. **Lawrence Road**, from Avondale Road easterly to Route 215 at Union Corner, 2.4 km.
85. **Lighthouse Road**, from Trunk 1 northerly to end of listing, 0.3 km.
86. **Long Lake Road**, from Brushy Hill Road at East Uniacke westerly to end of listing, 0.9 km.

87. **Lynch Road**, from Route 215 northerly to end of listing, 2.2 km.
88. **MacDonald Road**, from Route 215 westerly to end of listing, 1.5 km.
89. **MacDonald Road**, from Trunk 14 northerly to end of listing, 1.5 km.
90. **MacIntosh Road**, from Trunk 14 westerly to end of listing, 1.6 km.
91. **Mason White Road**, from White Settlement Road northerly to end of listing, 0.3 km.
92. **McKinley Road**, from Trunk 1 at Mount Denson easterly to end of listing, 0.6 km.
93. **Milford White Road**, from White Settlement Road northerly to end of listing, 0.4 km.
94. **Mines Road**, from Back Road westerly to Scott Paper Bridge, 9.7 km.
95. **Mines Road**, from Route 202 at West Gore westerly to end of listing, 1.0 km.
96. **Mountain Road**, from Windsor Back Road southerly to end of listing, 1.3 km.
97. **Nelson Road**, from MacDonald Road westerly to end of listing, 0.6 km.
98. **New Cheverie Road**, from Route 215 at Lower Burlington northerly to Route 215 at Cheverie, 11.0 km.
99. **New Dublin Road**, from Route 215 at Admiral Rock westerly to Mosher Road, 0.8 km.
100. **New Ross Road**, from Trunk 14 westerly to Lunenburg County line, 8.2 km.
101. **New Town Road**, from Belmont Road northerly to end of listing, 0.3 km.
102. **North River Road**, from Scotch Village Station Road easterly to Stanley Airport, 8.0 km.
103. **Northfield Road**, from Route 215 at East Noel southerly to Route 236, 12.9 km.
104. **Nunn Road**, from Route 215 at Summerville westerly to Summerville Wharf Road, 1.1 km.
105. **Oakdale Lane**, from Falmouth Dyke Road northerly to Falmouth Dyke Road, 0.4 km.
106. **Old Brooklyn Road**, from Trunk 14 southerly to end of listing, 0.4 km.
107. **Old Indian Road**, from Indian Road easterly to Indian Brook Reserve, 1.8 km.
108. **Old Post Road**, from Bog Road northerly to Bishopville Road, 1.3 km.
109. **Old Road**, from Route 215 easterly to end of listing, 0.8 km.
110. **Old Rocks Road**, from Route 236 easterly to Route 236, 0.8 km.
111. **Old Route 236 Diversion**, from Route 236 westerly to end of listing, 0.5 km.
112. **Old Route 236 Road**, from Route 236 at Maple Grove northerly to Route 215 near Maitland, 8.4 km.
113. **Old Route 354 Road**, from Route 354 southerly to Route 354, 0.5 km.
114. **Old Trunk 14 Loop**, from Trunk 14 northerly to Trunk 14, 0.2 km.
115. **Old Trunk 14 Loop**, from Trunk 14 northerly to Trunk 14, 0.2 km.
116. **Old Trunk 14 Loop**, from Trunk 14 northerly to Trunk 14, 0.2 km.
117. **Old Trunk 14**, from Route 202 easterly to Trunk 14, 0.8 km.
118. **Otis White Road**, from White Settlement Road easterly to end of listing, 0.7 km.
119. **Panuke Road**, from Trunk 1 at Three Mile Plains southerly to end of listing at Panuke Lake, 7.2 km.
120. **Percy Hennigar Road**, from Northfield Road easterly to end of listing, 0.9 km.
121. **Pleasant Street Extension**, from Pleasant Street southerly to end of listing, 0.3 km.

122. **Pleasant Street**, from Trunk 1 southerly to end of listing, 0.7 km.
123. **Point Road**, from Route 215 at East Noel northerly to end of listing at shore, 3.2 km.
124. **Putman Road**, from Old Road easterly to end of listing, 0.9 km.
125. **Quarry Road**, from Belmont Road at Belmont easterly to Route 236, 2.6 km.
126. **Ranch Road**, from Northfield Road westerly to end of listing, 1.3 km.
127. **Red Bank Road**, from Route 215 westerly to end of listing, 1.4 km.
128. **Redden Road**, from Trunk 14 westerly to end of listing, 1.6 km.
129. **Robinson Road**, from Blois Road westerly to end of listing, 1.0 km.
130. **Robinson Road**, from Route 215 southerly to end of listing, 0.9 km.
131. **Rose Point Road**, from Route 215 northerly to end of listing, 1.2 km.
132. **Ross Barkhouse Road**, from Route 215 at Centre Burlington southerly to end of listing, 0.6 km.
133. **Ross Road**, from Route 215 southerly to Route 215, 0.5 km.
134. **Sangster Bridge Road**, from Falmouth Dyke Road westerly to Back Road, 1.2 km.
135. **School Street**, from Falmouth Dyke Road easterly to Gabriel Road, 0.3 km.
136. **Schurman Road**, from Trunk 1 at Hantsport southerly to Trunk 1, 1.4 km.
137. **Scotchville Village Station Road**, from Route 236 northerly to North River Road, 0.8 km.
138. **Shop Road**, from Trunk 14 easterly to Route 354 at Upper Rawdon, 0.4 km.
139. **Singer Road**, from Route 215 at Minasville southerly to Route 354 at Gormanville, 5.0 km.
140. **Slate Quarry Road**, from Route 202 at East Gore southerly to Trunk 14 at Upper Nine Mile River, 6.1 km.
141. **Summerville Wharf Road**, from Block Wharf Road southerly to end of listing at wharf, 1.0 km.
142. **Three Mile Planes Cross Road**, from Windsor Back Road northerly to Trunk 1, 0.8 km.
143. **Tongue Hill Road**, from Trunk 14 easterly to Trunk 14, 0.8 km.
144. **Town Road**, from Trunk 1 westerly to Falmouth Dyke Road, 2.0 km.
145. **Turple Road**, from Route 215 easterly to end of listing, 1.0 km.
146. **Valley Road**, from Trunk 14 northerly to Route 202 in Gore, 4.5 km.
147. **Vincent White Road**, from Route 354 easterly to end of listing, 0.2 km.
148. **Walton Woods Road**, from North River Road northerly to Bancroft Road, 20.0 km.
149. **White Settlement Road**, from Route 354 at Noel Road northerly to Findley Road, 4.5 km.
150. **Wilcox Road**, from Route 215 easterly to end of listing, 1.3 km.
151. **Wile Settlement Road**, from New Ross Road at Lower Vaughan southerly to end of listing, 5.0 km.
152. **Wilfred Hebb Road**, from New Ross Road southerly to end of listing, 1.3 km.
153. **Williams Road**, from Ellerhouse Road easterly to end of listing, 1.2 km.
154. **Windsor-Milford Road**, from Route 202 northerly to Route 354, 1.1 km.

Inverness County

1. **Trunk 4**, from Barberton Road easterly to Richmond County line, 5.8 km.
2. **Trunk 19**, from Route 219 at Dunvegan easterly to Cabot Trail at Margaree Forks, 15.1 km.
3. **Route 219**, from Duggan Mountain Road northerly to Cabot Trail at Margaree Harbour, 14.5 km.
4. **Route 223**, from Highway 105 easterly to Little Narrows Ferry, 1.8 km.
5. **Route 252**, from Trunk 19 at Mabou easterly to Whycomomagh-Port Hood Road, 25.2 km.
6. **Route 395**, from Route 252 near Stewartdale northerly to Egypt Road near Upper Margaree, 27.2 km.
7. **Acadian Road**, from Cabot Trail southerly to end of listing, 0.9 km.
8. **Ainslie Point Road**, from Strathlorne-Scotsville Road easterly to Strathlorne-Scotsville Road, 2.8 km.
9. **Alpine Ridge Road**, from Whycomomagh-Port Hood Road northerly to Southwest Ridge Road, 1.5 km.
10. **Bennet Road**, from Cabot Trail southerly to end of listing, 3.4 km.
11. **Blackstone Road**, from Trunk 19 easterly to West Lake Ainslie Road, 6.4 km.
12. **Brookside Loop**, from Trunk 19 northerly to Gillis Road, 1.0 km.
13. **Cabot Trail**, from Trunk 19 at Margaree Forks easterly to Victoria County line, 59.4 km.
14. **Cameron Mountain Road**, from Highway 105 northerly to end of listing, 3.8 km.
15. **Cameron Road**, from Orangedale Road northerly to Orangedale Road, 5.1 km.
16. **Campbellton Road**, from Trunk 19 southerly to Mountain Road, 7.0 km.
17. **Captain Allen School Loop**, from Trunk 19 easterly to Trunk 19, 0.9 km.
18. **Cenotaph Road**, from Glenora Road easterly to Marble Mountain Road and County line, 10.8 km.
19. **Centennial Road**, from Trunk 19 easterly to River Denys Road, 11.3 km.
20. **Charles MacLean Road**, from Trunk 4 southerly to Trunk 4, 1.3 km.
21. **Chisholm Road**, from Trunk 19 easterly to MacLean Road and General Line Road, 1.6 km.
22. **Church Road**, from Trunk 19 easterly to West Lake Ainslie Road, 1.8 km.
23. **Convent Street**, from East Street westerly to Main Street, 1.2 km.
24. **Crowdis Road**, from East Big Intervale Road southerly to Egypt Road, 3.3 km.
25. **Dans Lane**, from River Inhabitants Road northerly to end of listing, 0.1 km.
26. **Deepdale Loop**, from Trunk 19 northerly to Broad Cove Marsh Road, 1.1 km.
27. **Deepdale Road**, from Trunk 19 southerly to Strathlorne-Scotsville Road, 5.6 km.
28. **Downard Road**, from Highway 105 easterly to Long Stretch Road, 1.8 km.
29. **Doyles Road**, from Cabot Trail southerly to end of listing, 3.4 km.
30. **Dunakin Mountain Road**, from Whycomomagh-Port Hood Road southerly to Skye Mountain Road, 2.9 km.
31. **Dunbar Road**, from Strathlorne-Scotsville Road northerly to Mountain Road, 4.8 km.
32. **East Big Intervale Branch**, from Cabot Trail northerly to East Big Intervale Road, 0.4 km.
33. **East Big Intervale Road**, from Cabot Trail northerly to end of listing at river, 20.4 km.

34. **Eastside Southwest Margaree Br**, from Eastside Southwest Margaree Road northerly to Trunk 19, 0.3 km.
35. **East Street**, from Little Mabou Road southerly to Trunk 19, 2.6 km.
36. **Egypt Road**, from Cabot Trail northerly to B.A. Fraser Lumber Limited, 5.0 km.
37. **Fielding Road**, from East Big Intervale Road easterly to Victoria County line, 12.2 km.
38. **Gillanders Mountain Road**, from Route 395 easterly to Victoria County line, 13.4 km.
39. **Gillis Road**, from Broad Cove Marsh Road easterly to Trunk 19, 1.9 km.
40. **Glencoe Road**, from Bornish Road and Upper Glencoe Road easterly to Highway 105, 7.5 km.
41. **Glendale Mountain Road**, from River Denys Road southerly to Highway 105, 7.7 km.
42. **Graham Road**, from Trunk 19 easterly to John D MacDonald Road, 2.1 km.
43. **Harts Bridge Loop**, from East Big Intervale Road northerly to East Big Intervale Road, 0.1 km.
44. **Hayes River Road**, from Melrose Hill Road and Meagher Road northerly to West Lake Ainslie Road, 4.5 km.
45. **Hunter Road**, from Trunk 19 northerly to Little Mabou Road, 6.5 km.
46. **James MacDonald Road**, from Trunk 19 westerly to end of listing, 0.7 km.
47. **Joe Effie Road**, from Trunk 19 westerly to Shore Road, 1.3 km.
48. **John Street**, from Route 219 easterly to Route 219, 0.5 km.
49. **Kenloch Loop**, from Strathlorne-Scotsville Road easterly to Strathlorne-Scotsville Road, 0.3 km.
50. **Kings Road**, from Charles MacLean Road easterly to Crandall Road, 3.3 km.
51. **Lake Horton Road**, from Highway 105 westerly to end of listing, 1.6 km.
52. **Lakeview Drive**, from Strathlorne-Scotsville Road northerly to end of listing, 2.5 km.
53. **Lewis Mountain Road**, from Route 395 southerly to Highway 105, 10.2 km.
54. **Loch Ban Road**, from Deepdale Road southerly to Mountain Road, 5.5 km.
55. **Logans Glen Road**, from Highway 105 northerly to end of listing, 2.4 km.
56. **Mabou Branch**, from Mabou Road easterly to Upper Southwest Mabou Road, 0.1 km.
57. **MacDonald Road**, from Route 219 southerly to Duggan Mountain Road, 3.2 km.
58. **MacDougall Road**, from Highway 105 easterly to end of listing at Turning Area, 0.2 km.
59. **MacEachern Road**, from Highway 105 westerly to end of listing, 1.3 km.
60. **MacEachern Road**, from Highway 105 westerly to end of listing, 0.4 km.
61. **MacEachern Road**, from Glendale Mountain Road southerly to Highway 105, 4.5 km.
62. **MacEachern Road**, from Trunk 19 easterly to end of listing, 1.5 km.
63. **MacGeehans Road**, from Route 252 southerly to Bridge End Road, 2.8 km.
64. **MacIntosh Mountain Road**, from Cenotaph Road northerly to Big Brook Road, 8.1 km.
65. **MacIntyre Road**, from Highway 105 easterly to Crandall Road, 1.7 km.
66. **MacIsaac Road**, from Trunk 19 westerly to end of listing, 0.9 km.

67. **MacIsaac Road**, from Rhodena Road northerly to MacIntyre Mountain Road, 3.2 km.
68. **MacIver Road**, from Orangedale-Iona Road northerly to Portage Road, 2.6 km.
69. **MacKay Road**, from Route 395 easterly to end of listing, 0.7 km.
70. **MacKenzie Road**, from South West Ashfield Road easterly to Old Marble Mountain Loop, 4.0 km.
71. **MacKillop Road**, from Trunk 19 southerly to Southwest Ridge Road, 4.4 km.
72. **MacLean Road**, from Highway 105 westerly to General Line Road, 6.1 km.
73. **MacLean Road**, from Trunk 19 easterly to end of listing, 2.4 km.
74. **MacLellan Road**, from Trunk 19 easterly to end of listing, 1.1 km.
75. **MacLellan Road**, from Mt. Borden Road easterly to Mt. Borden Road, 7.3 km.
76. **MacLeods Road**, from Mull River Road westerly to Southwest Ridge Road, 3.9 km.
77. **Maryville Station Road**, from Trunk 19 westerly to Shore Road, 2.3 km.
78. **Meagher Road**, from Lake Ainslie Chapel Road northerly to Melrose Hill Road, 3.6 km.
79. **Melrose Hill Road**, from Route 252 northerly to Hayes River Road and Meagher Road, 7.8 km.
80. **Milford Road**, from Whycocomagh Village Road northerly to end of listing, 1.1 km.
81. **Miller Road**, from Melrose Hill Road southerly to Meagher Road, 2.6 km.
82. **Moran Road**, from Upper South West Mabou Road easterly to Glencoe Road, 4.8 km.
83. **Mountain Road**, from Highway 105 northerly to end of listing, 0.5 km.
84. **Mt. Borden Road**, from Route 395 easterly to Gillanders Mountain Road, 12.5 km.
85. **Mull River Road**, from Whycocomagh-Port Hood Road northerly to Murray Hill Road, 8.9 km.
86. **Murphys Hill Road**, from Trunk 19 southerly to Smithville Road, 1.7 km.
87. **New Rock Ridge Road**, from Trunk 19 northerly to Little Mabou Road, 7.1 km.
88. **Newton Road**, from Trunk 19 Northerly to end of listing, 1.3 km.
89. **Old Barberton Road**, from Trunk 4 northerly to Barberton Road, 0.5 km.
90. **Old Cabot Trail Loop**, from Cabot Trail easterly to Cabot Trail, 0.5 km.
91. **Old Chisholm Mill Road**, from Chisholm Road northerly to MacLean Road, 3.1 km.
92. **Old Marble Mountain Loop**, from 0.2 km north of MacKenzie Road southerly to end of listing, 0.9 km.
93. **Old Mill Road**, from Highway 105 westerly to end of listing, 2.4 km.
94. **Old River Inhabitants Loop**, from River Inhabitants Road northerly to end of listing at old railway, 0.5 km.
95. **Old Rocky Ridge Road**, from East Street easterly to Hunter Road, 4.5 km.
96. **Old Ryan Road**, from Egypt Road easterly to end of listing at old bridge site, 0.6 km.
97. **Old Trunk 19 Loop**, from Trunk 19 southerly to Trunk 19, 0.4 km.
98. **Old Trunk 5 Branch**, from Highway 105 northerly to Old Trunk 5 Road, 0.1 km.
99. **Old Trunk 5 Loop**, from Highway 105 northerly to end of listing, 0.8 km.

100. **Old Victoria Road**, from River Inhabitants Road southerly to end of listing, 0.3 km.
101. **Old Whycomagh-Margaree Road**, from Strathlorne-Scottsville Road northerly to Route 395, 1.7 km.
102. **Orangedale Road**, from Ashfield Road easterly to Marble Mountain Road, 5.6 km.
103. **Orangedale-Iona Road**, from Marble Mountain Road easterly to Robertson Road, 11.0 km.
104. **Pipers Lane**, from Trunk 19 southerly to Deepdale Road, 1.1 km.
105. **Railway Road**, from Trunk 19 westerly to Shore Road, 1.2 km.
106. **Rankinville Road**, from Southwest Ridge Road easterly to Mull River Road and Murray Hill Road, 4.8 km.
107. **Reservation Road**, from Highway 105 northerly to Whycomagh-Port Hood Road, 2.5 km.
108. **Rhodena Road**, from Highway 105 northerly to MacIntyre Mountain Road, 8.5 km.
109. **River Denys Mountain Road**, from Highway 105 northerly to River Denys Road, 4.7 km.
110. **River Inhabitants Road**, from Highway 105 at Kingsville southerly to Richmond County line, 15.5 km.
111. **Robinson Road**, from Portage Road southerly to Orangedale-Iona Road, 4.1 km.
112. **Ross Branch**, from Ross Road easterly to end of listing, 0.3 km.
113. **Ross Road**, from Egypt Road easterly to end of listing, 0.2 km.
114. **Skye Mountain Road**, from Highway 105 westerly to Dunakin Mountain Road, 8.8 km.
115. **Smithville Road**, from Route 252 northerly to Blackstone Road, 7.8 km.
116. **South West Ashfield**, from Big Marsh Road easterly to Cameron Road, 7.8 km.
117. **Southwest Margaree Loop**, from Trunk 19 and Farquar Road southerly to Trunk 19, 1.8 km.
118. **Southwest Ridge Road**, from Trunk 19 southerly to Whycomagh-Port Hood Road, 7.8 km.
119. **Strathlorne-Scottsville Road**, from Trunk 19 at Deepdale easterly to Lakeview Drive at Scottsville, 11.5 km.
120. **Upper Southwest Mabou Road**, from Trunk 19 southerly to Rear Intervale Road and Glencoe Road, 16.9 km.
121. **Walkers Cove**, from Trunk 19 westerly to end of listing, 1.4 km.
122. **West Side Ainslie Glen Road**, from Route 395 westerly to Lake Ainslie Glen Road, 6.4 km.
123. **Whycomagh Mountain Road**, from Highway 105 northerly to Stora's Gledart Road, 5.2 km.

Kings County

1. **Trunk 1**, from Annapolis County line easterly to Marshall Road, 0.5 km.
2. **Trunk 1**, from Maple Street easterly to Route 201, 3.8 km.
3. **Trunk 1**, from New Road easterly to Orchard Street near Berwick West, 9.9 km.
4. **Trunk 1**, from Harrington Street easterly to Kentville town line (west), 3.8 km.
5. **Trunk 1**, from Kentville town line (east) easterly to Kentville Connector, 0.8 km.
6. **Trunk 1**, from Wolfville town line (east) easterly to Highway 101 Exit 10, 4.1 km.
7. **Trunk 12**, from Highway 101 near Kentville southerly to Lunenburg County line, 24.2 km.
8. **Route 201**, from CFB Greenwood Base easterly to Greenwood Road, 3.3 km.

9. **Route 201**, from Dorey Road northerly to Trunk 1, 1.8 km.
10. **Route 221**, from Annapolis County line easterly to Water Street at Kingsport, 44.3 km.
11. **Route 341**, from Merles Ultramar at Kentville northerly to Reid Road, 2.2 km.
12. **Route 341**, from Fred Thomas Road easterly to Route 358, 1.2 km.
13. **Route 358**, from Saxon Street in Canard northerly to end of pavement in Scotts Bay, 20.8 km.
14. **Route 359**, from Lakewood Road northerly to wharf in Halls Harbour, 16.9 km.
15. **Route 360**, from Shell Bulk Storage Facility northerly to Spicer Road, 9.0 km.
16. **Al Bennett Branch**, from Route 359 northerly to Al Bennett Road, 1.2 km.
17. **Al Bennett Road**, from Route 359 northerly to end of listing at shore, 4.1 km.
18. **Alton Road**, from East Dalhousie Road northerly to end of listing, 4.1 km.
19. **Arnold Road**, from Bligh Road westerly to end of listing, 3.4 km.
20. **Australia Road**, from Morden Road easterly to Victoria Road, 3.7 km.
21. ~~Aylsford~~ **[Aylesford] Road**, from Trunk 1 southerly to East Dalhousie Road, 38.7 km.
22. **Barley Street**, from Longpoint Road westerly to end of listing, 2.0 km.
23. **Barley Street**, from Route 360 westerly to Nollet Beckwith Road, 6.1 km.
24. **Base Line East Road**, from Route 360 easterly to West Black Rock Road, 4.4 km.
25. **Baxters Harbour Road**, from Bains Road northerly to Old Wharf, 8.6 km.
26. **Belcher Street**, from Middle Dyke Road easterly to Route 358, 5.5 km.
27. **Bennetts Bay Road**, from Gospel Road at Glenmont northerly to Charles Rand Road, 3.6 km.
28. **Bent Road**, from Trunk 1 northerly to Maple Street, 1.4 km.
29. **Bessie North Road**, from Route 358 easterly to Perea Road, 1.9 km.
30. **Best Road**, from English Mountain Road westerly to end of listing at gravel pit, 0.8 km.
31. **Black Hole Road**, from Route 221 northerly to end of listing at shore, 11.1 km.
32. **Black Rock Road**, from Trunk 1 in Waterville northerly to end of pavement at Canada Creek, 15.4 km.
33. **Bligh Road**, from Brooklyn Road northerly to Hiltz Road, 6.1 km.
34. **Bond Road**, from Prospect Road northerly to Trunk 1, 2.4 km.
35. **Brow Mountain Road**, from Route 389 westerly to Steadman Road, 3.2 km.
36. **Brow Mountain West Road**, from Morden Road easterly to West Black Rock Road, 17.6 km.
37. **Burgess Mountain Road**, from Route 221 northerly to Hiltz Road, 4.9 km.
38. **Butler Road**, from Trunk 12 easterly to end of listing, 2.3 km.
39. **Cambridge Mountain Road**, from Prospect Road northerly to Trunk 1, 3.2 km.
40. **Campbell Road**, from Kentville town line northerly to Route 341, 0.8 km.
41. **Canaan Cross Road**, from Trunk 12 easterly to English Mountain Road, 3.4 km.
42. **Canaan Mountain Road**, from English Mountain Road southerly to White Rock Road, 0.4 km.
43. **Canaan Mountain Road**, from English Mountain Road northerly to Highway 101, 5.6 km.

44. **Canard Street**, from Route 341 easterly to end of listing at shore, 4.7 km.
45. **Charles Rand Road**, from Bennetts Bay Road westerly to Black Hole Road, 3.2 km.
46. **Charles Tracy Road**, from Lockhartville Road southerly to Highway 101, 1.0 km.
47. **Chase Road**, from Rainsforth Road northerly to Trunk 1, 1.1 km.
48. **Chipman Brook Road**, from Hiltz Road northerly to Chipman Brook Wharf, 5.0 km.
49. **Chute Road**, from Brooklyn Road northerly to Route 221, 1.7 km.
50. **Cornwallis Avenue**, from Trunk 1 northerly to end of listing, 0.6 km.
51. **Crocker Road**, from Harmony Road near Harmony southerly to end of listing, 1.7 km.
52. **East Dalhousie Road**, from Lunenburg County line westerly to Annapolis County line, 9.1 km.
53. **Eaton Branch**, from Route 221 northerly to Bains Road, 1.0 km.
54. **English Mountain Road**, from North River Road easterly to Canaan Mountain Road, 6.0 km.
55. **Fred Thomas Road**, from Route 341 northerly to Saxon Street, 2.0 km.
56. **Gibson Woods Road**, from Route 341 northerly to Route 221, 2.5 km.
57. **Gospel Road**, from Route 359 at East Halls Harbour Road easterly to Route 358, 13.0 km.
58. **Green Road**, from Brooklyn Road northerly to Lakewood Road, 2.9 km.
59. **Greenfield Road**, from White Rock Road easterly to Gaspereau River Road, 0.3 km.
60. **Harmony Road**, from Aylesford Road at Morrystown westerly to Meadowvale Road at Harmony, 9.0 km.
61. **Harrington Road**, from Lockhart Mountain Road easterly to Trunk 1, 2.6 km.
62. **Highbury School Road**, from New Road southerly to White Rock Road, 2.4 km.
63. **Hiltz Road**, from Steadman Road westerly to Pelton Mountain Road, 3.3 km.
64. **Hubbard Mountain Road**, from Pereau Road northerly to Route 358, 2.0 km.
65. **Huntington Point Road**, from Hiltz Road northerly to end of listing at shore, 6.0 km.
66. **Ira Bill Road**, from Steadman Road easterly to Rockwell Mountain Road, 1.5 km.
67. **J Jordan Road**, from Rotue 221 northerly to Woodside Road, 2.8 km.
68. **J T Morse Road**, from Harmony Road southerly to Crocker Road, 1.6 km.
69. **John Lane**, from Lockhart Hill Road westerly to end of listing, 2.2 km.
70. **Jones Road**, from Trunk 1 northerly to end of listing, 0.9 km.
71. **Jones Road**, from Trunk 12 westerly to end of listing, 2.6 km.
72. **Kelly Road**, from Trunk 1 southerly to Highway 101, 0.6 km.
73. **Lakewood Road**, from Route 221 easterly to Route 341, 8.8 km.
74. **Lamont Road**, from Route 221 northerly to Thorpe Road, 2.4 km.
75. **Lanzy Road**, from Brooklyn Road easterly to Route 341, 3.4 km.
76. **Legge Road**, from Trunk 12 easterly to end of listing, 0.8 km.
77. **Lloyds South Road**, from Prospect Road southerly to North River Road, 4.4 km.

78. **Lockhart Hill Road**, from Trunk 12 southerly to Trunk 12, 1.9 km.
79. **Lockhart Mountain Road**, from Lockhart Road northerly to Trunk 1, 2.6 km.
80. **Lockhart Road**, from English Mountain Road easterly to Prospect Road, 2.2 km.
81. **Long Beach Road**, from Gospel Road at West Glenmont northerly to end of listing, 2.0 km.
82. **Longpoint Road**, from Route 221 northerly to McNally Road at Burlington, 6.7 km.
83. **Longspell Road**, from Route 221 easterly to private road at Kingsport ~~Buff~~ [Bluff], 2.2 km.
84. **Lower Grande Pre Road**, from Old Post Road northerly to end at railway tracks, 1.0 km.
85. **Maple Street**, from Berwick town line easterly to Trunk 1, 4.0 km.
86. **McClellan Road**, from Brooklyn Road northerly to Route 221, 1.7 km.
87. **Medford Road**, from Longspell Road northerly to North Medford Road, 3.4 km.
88. **Mee Road**, from Belcher Road northerly to Scott Road, 1.1 km.
89. **Middle Dyke Road**, from Belcher Road northerly to Bains Road, 8.9 km.
90. **Minor Lane**, from Trunk 1 northerly to end of listing, 0.7 km.
91. **Morden Road**, from Route 221 northerly to Wharf Road in Morden, 8.0 km.
92. **New Road**, from Canaan Mountain Road northerly to Kentville Connector, 1.4 km.
93. **New Road**, from Trunk 1 northerly to Route 221, 3.9 km.
94. **Nollett Beckwith Road**, from Brow Mountain West Road northerly to Shore Road, 7.3 km.
95. **North Bishop Road**, from Route 221 southerly to Highway 101, 3.6 km.
96. **North Medford Road**, from Perea Road easterly to end of listing at shore, 3.5 km.
97. **North River Road**, from Aylesford Road easterly to English Mountain Road, 19.3 km.
98. **Old Dyke Road**, from Trunk 1 northerly to Dominion Atlantic Railway, 0.7 km.
99. **Old Post Road**, from Trunk 1 easterly to Horton Cross Road, 2.1 km.
100. **Old Trunk 1 Road**, from Trunk 1 easterly to Highway 101, 2.4 km.
101. **Pelton Mountain Road**, from Hiltz Road southerly to end of listing, 2.0 km.
102. **Rabbit Square Road**, from Jordan Road easterly to Route 358, 1.3 km.
103. **Rafuse Road**, from Turnk 1 northerly to Maple Street, 0.8 km.
104. **Ratchford Road**, from Black Rock Road easterly to Highway 101, 2.8 km.
105. **Rawding Road**, from Black Rock Road easterly to Chipman Brook Road, 4.9 km.
106. **Reid Road**, from Route 359 westerly to Route 341, 2.2 km.
107. **Ridge Road**, from White Rock Road easterly to Wolfville town line, 8.5 km.
108. **Rockwell Mountain Road**, from Route 221 at Billtown northerly to Route 359 at Rockwell Mountain, 4.3 km.
109. **Ross Creek Road**, from Gospel Woods Road northerly to Bay of Fundy shore, 6.3 km.
110. **Saxon Street**, from Route 359 easterly to Canard Road, 11.4 km.
111. **Sheteldnog Road**, from Route 358 northerly to end of listing at shore, 4.0 km.

112. **Simpson Road**, from Huntington Point Road easterly to West Halls Harbour Road, 1.7 km.
113. **Spicer Road**, from Route 360 northerly to Russia Road, 1.6 km.
114. **Stanburn Road**, from Lunenburg County line northerly to East Dalhousie Road, 3.3 km.
115. **Starrs Point Road**, from Collins Road easterly to Legge Trucking Limited, 0.6 km.
116. **Summer Street**, from J Jordan Road easterly to Chapel Street, 0.7 km.
117. **Sutton Road**, from Belcher Street northerly to Route 358, 1.7 km.
118. **Sweet Road**, from Trunk 12 westerly to end of listing, 0.6 km.
119. **Thompson Road**, from Trunk 1 southerly to cul-de-sac, 1.6 km.
120. **Thorpe Road**, from Pelton Mountain Road easterly to Route 359, 6.7 km.
121. **Tiny Parrish Road**, from Belcher Street northerly to Church Road, 1.3 km.
122. **Tory Lane**, from Route 221 northerly to Woodville Road, 1.4 km.
123. **Victoria Road**, from Brow Mountain West Road northerly to McNally Road at Victoria Harbour, 5.6 km.
124. **Victoria Road**, from Highway 101 at Aylesford northerly to Route 221, 2.0 km.
125. **West Black Rock Road**, from Black Rock Road northerly to Russia Road, 5.0 km.
126. **West Halls Harbour Road**, from Brow Mountain Road northerly to Halls Harbour Wharf, 5.9 km.
127. **West Steadman Road**, from Black Rock Road easterly to Highway 101, 2.0 km.
128. **White Rock Road**, from Canaan Mountain Road easterly to Greenfield Road, 11.4 km.
129. **Woodside Road**, from Black Hole Road easterly to Route 358, 4.6 km.

Lunenburg County

1. **Trunk 3**, from Highway 103 Exit 10 northerly to Station Road near Oakland, 4.2 km.
2. **Trunk 3**, from Croft Road easterly to Trunk 12 near Chester Basin, 1.6 km.
3. **Trunk 3**, from Trunk 14 near Robinsons Corner southerly to Victoria Street, 1.9 km.
4. **Trunk 3**, from Buccaneer Road easterly to Highway 103 Exit 7, 2.0 km.
5. **Trunk 10**, from North end of Zwicker Mill Road in New Germany northerly to Annapolis County line, 12.4 km.
6. **Trunk 12**, from Highway 103 in Chester Basin northerly to Kings County line, 36.2 km.
7. **Trunk 14**, from Highway 103 Exit 8 at Chester northerly to Hants County line, 21.8 km.
8. **Route 208**, from Queens County line at Colpton easterly to West River Bridge at New Germany, 18.9 km.
9. **Route 210**, from Route 325 at Newcombville southerly to Queens County line at Upper Chelsea, 16.2 km.
10. **Route 324**, from Route 325 at Blockhouse southerly to Route 332 in Lilydale, 9.4 km.
11. **Route 325**, from Highway 103 Exit 13 at Wileville northerly to Route 208 at Colpton, 25.0 km.
12. **Route 325**, from Northfield Road easterly to Mahone Bay line (west), 5.4 km.
13. **Route 329**, from Trunk 3 near East River southerly to East River Point Road, 1.5 km.

14. **Route 331**, from Bridgewater town line (south) easterly to Conquerall Road, 4.1 km.
15. **Abram Deal Road**, from Route 210 southerly to end of listing, 1.3 km.
16. **Amos Gates Road**, from Forties Road southerly to end of listing, 0.6 km.
17. **Angus Hiltz Road**, from Lacey Mines Road westerly to end of listing, 0.6 km.
18. **Annie Armstrong Diversion**, from Trunk 14 northerly to Trunk 14, 0.8 km.
19. **Auburndale Road**, from Route 325 northerly to Upper Branch Road, 4.4 km.
20. **Beech Hill Road**, from Trunk 3 westerly to end of listing, 9.0 km.
21. **Big Mush A Mush Lake Road**, from Cornwall Road southerly to end of Listing, 1.0 km.
22. **Blue Rocks Road**, from Lunenburg town line easterly to Stonehurst Road, 5.4 km.
23. **Borgels Point Road**, from Trunk 3 easterly to Trunk 3, 3.5 km.
24. **Bulmer Road**, from Trunk 3 westerly to end of listing, 0.6 km.
25. **Camperdown Road**, from Lapland Road northerly to Highway 103, 12.6 km.
26. **Cherryfield Road**, from North River Road at Cherryfield northerly to Annapolis County line, 0.5 km.
27. **Chester Grant Road**, from Trunk 14 easterly to Corkum Lake Drive, 2.4 km.
28. **Chine Lake Road**, from Highway 103 northerly to Highway 103, 1.3 km.
29. **Conquerall Mills Road**, from Conquerall Road northerly to Trunk 3, 6.5 km.
30. **Conrad Branch**, from Conrad Road northerly to Stanburne Road, 0.6 km.
31. **Conrad Road**, from Trunk 10 easterly to Stanburne Road, 4.5 km.
32. **Copeland Road**, from Trunk 10 northerly to Conrad Road, 2.7 km.
33. **Corkum Road**, from Trunk 14 easterly to end of listing, 0.7 km.
34. **Cornwall Road**, from Route 325 at Blockhouse northerly to Newburne Road, 17.5 km.
35. **Cove Road**, from Conquerall Road southerly to Route 331, 0.5 km.
36. **Croft Road**, from Trunk 3 northerly to Trunk 12, 2.3 km.
37. **Cross Road**, from Northfield Road northerly to Cornwall Road, 4.5 km.
38. **Crouse Settlement Road**, from Camperdown School Road easterly to Highway 103, 5.6 km.
39. **Curtis Hebb Road**, from Auburndale Road westerly to Haines 2 Road, 1.1 km.
40. **Darius Wile Road**, from Route 325 northerly to end of listing, 0.5 km.
41. **David Wile Road**, from Route 325 southerly to end of listing, 0.6 km.
42. **Demone Road**, from Trunk 3 easterly to end of listing, 0.9 km.
43. **Doctors Brook Road**, from Trunk 12 northerly to end of listing, 0.8 km.
44. **East River Point Road**, from Route 239 northerly to Route 239, 0.6 km.
45. **Eisenhauer Road**, from Oakland Road easterly to end of listing, 0.5 km.
46. **Feeners Corner Road**, from Northfield Road near Upper Northfield southerly to Five Pound Road, 1.7 km.
47. **First Peninsula Road**, from Kissing Bridge Road (Mun) easterly to end of pavement, 1.9 km.

48. **Five Pound Road**, from Feeners Corner Road westerly to Trunk 10 at Northfield, 1.4 km.
49. **Fleet Road**, from East River Point Road westerly to end of listing, 0.5 km.
50. **Forman G Oickle Road**, from Cross Road northerly to end of listing, 0.7 km.
51. **Forties Road**, from Trunk 12 in New Ross westerly to Kings County line, 19.2 km.
52. **Freeman Veinot Road**, from Route 324 northerly to Mahone Bay town line, 0.9 km.
53. **Front Centre Road**, from Trunk 3 easterly to Route 332, 1.3 km.
54. **George Whynot Road**, from Copeland Road northerly to end of listing, 0.7 km.
55. **Grant Lake Road**, from Trunk 12 northerly to Trunk 12, 1.4 km.
56. **Hadden Hill Road**, from Trunk 3 northerly to Trunk 3, 1.4 km.
57. **Haines 2 Road**, from Route 325 northerly to Upper Branch Road, 4.5 km.
58. **Harold Silver Road**, from Northfield Road northerly to end of listing, 0.6 km.
59. **Heckmans Island Road**, from Blue Rocks Road northerly to end of listing at Gate, 5.4 km.
60. **Hemford Mill Road**, from Route 208 easterly to end of listing, 1.7 km.
61. **Henry Hatt Road**, from Beech Hill Road easterly to Beech Hill Road, 0.8 km.
62. **Hirtle Cove Road**, from Oakland Road easterly to Oakland Road, 1.2 km.
63. **Hirtle Road**, from Highway 103 Exit 16 southerly to Middlewood Quarry at Middlewood, 4.6 km.
64. **Hirtle Road**, from Oakhill Road westerly to end of listing, 0.9 km.
65. **Hyson Point Road**, from Oakland Road easterly to end of listing, 0.8 km.
66. **Isner Diversion**, from Highway 103 northerly to Highway 103 (south of Italy Cross Road), 0.8 km.
67. **John Stewart Road**, from Camperdown Road southerly to end of listing, 0.7 km.
68. **Keddy 1 Road**, from Lake Ramsey Road northerly to end of listing, 1.0 km.
69. **Keddy 2 Road**, from Lake Ramsey Road northerly to end of listing, 1.0 km.
70. **Keddy Bridge Road**, from Trunk 3 northerly to end of listing, 0.8 km.
71. **Kinley Farm Road**, from Lilydale Road westerly to end of listing, 1.8 km.
72. **Knox Road**, from Route 210 northerly to Route 325, 4.7 km.
73. **Lake Lawson Road**, from Trunk 12 northerly to Windsor Road, 1.9 km.
74. **Lake Ramsey Road**, from Forties Road at Forties northerly to end of listing, 5.2 km.
75. **Langille Lake Road**, from Cornwall Road southerly to end of listing at gate, 1.9 km.
76. **Lantz Cove Road**, from Oakland Road easterly to Oakland Road, 0.5 km.
77. **Lapland Road**, from Route 325 at Wileville westerly to Lapland Quarry at Lapland, 6.4 km.
78. **Leary Fraser Road**, from Trunk 3 northerly to Route 325, 4.6 km.
79. **Lemuel Smith Road**, from Route 208 westerly to end of listing, 1.2 km.
80. **Lilydale Road**, from Trunk 3 northerly to Route 324, 1.6 km.
81. **Llewellyn Loop**, from Highway 103 northerly to Highway 103, 0.9 km.
82. **Logan Road**, from Route 325 northerly to Bridgewater town line, 1.2 km.

83. **MacCulloch Road**, from Trunk 10 northerly to end of listing, 0.6 km.
84. **Marriotts Cove East Road**, from Marriotts Cove Road southerly to end of listing, 1.2 km.
85. **Marriotts Cove Road**, from Trunk 3 southerly to end of listing, 1.5 km.
86. **McKeen Road**, from Trunk 10 northerly to Northfield Road, 4.0 km.
87. **Mersey Road Connector**, from Trunk 3 westerly to end of listing, 1.7 km.
88. **Middlewood Diversion**, from Highway 103 northerly to Highway 103, 1.8 km.
89. **Milbury Road**, from Walburne Road northerly to end of listing, 1.7 km.
90. **Mill Lake 1 Road**, from Trunk 3 northerly to end of listing, 2.2 km.
91. **Mill Road**, from Windsor Road at New Ross northerly to Wallaback Bridge, 5.8 km.
92. **Mines 2 Road**, from Camperdown Road northerly to Mines Road, 4.1 km.
93. **Monk Point Road**, from Heckmans Island Road westerly to end of listing at gate, 1.1 km.
94. **Morton Reeves Road**, from Forties Road southerly to end of listing, 0.5 km.
95. **Mossman Road**, from Trunk 10 northerly to Northfield Road, 4.1 km.
96. **Murray Veinot Road**, from Route 208 southerly to Zinck Road, 1.0 km.
97. **Naugler Road**, from Route 325 westerly to Pine Grove Road, 4.8 km.
98. **Newburne Road**, from Cornwall Road northerly to Walburne Road, 6.7 km.
99. **North Lower Grant Road**, from Trunk 12 southerly to end of listing at Highway 103 ROW, 2.8 km.
100. **North River Road**, from Trunk 10 at Meisners Station northerly to Cherryfield Road, 7.2 km.
101. **Northfield Road**, from Route 325 near Maitland northerly to Basil Whynot Road, 20.1 km.
102. **Oakland Road**, from Trunk 3 (Mahone Bay town limit) northerly to Trunk 3, 9.2 km.
103. **Old Chelsea Road**, from Route 210 northerly to Route 325, 5.1 km.
104. **Old Northfield Road**, from Feeners Corner Road northerly to Northfield Road, 1.1 km.
105. **Old Trunk 3 Road**, from Route 332 northerly to Trunk 3, 0.8 km.
106. **Old Trunk 3 Road**, from Highway 103 northerly to Highway 103 (south of Camperdown Road), 0.7 km.
107. **Penny Road**, from Trunk 10 northerly to Northfield Road, 2.2 km.
108. **Pulp Mill Road**, from Trunk 10 southerly to end of listing, 0.5 km.
109. **Robar Road**, from North River Road westerly to end of listing, 0.5 km.
110. **Sarty Road**, from Crouse Settlement Road northerly to Camperdown Road, 2.9 km.
111. **Schnares Crossing Road**, from Route 324 northerly to Trunk 3, 0.9 km.
112. **Sherwood Road**, from Trunk 14 westerly to end of listing, 2.4 km.
113. **Shore Drive**, from Route 331 easterly to Route 331, 1.1 km.
114. **Shoreline Drive**, from Blue Rocks Road northerly to Blue Rocks Road, 0.5 km.
115. **Silver Road**, from Feeners Corner Road northerly to Northfield Road, 1.9 km.
116. **Silver Road**, from Route 208 westerly to end of listing, 0.8 km.

117. **Stanburne Road**, from Conrad Road northerly to end of listing, 5.5 km.
118. **Stanford Lake Road**, from Old Trunk 3 Road westerly to Trunk 3, 1.6 km.
119. **Station Road**, from Northfield Road northerly to Back Road, 1.0 km.
120. **Station Road**, from Oakland Road northerly to Trunk 3, 1.5 km.
121. **Upper First Peninsula Road**, from First Peninsula Road easterly to end of listing at gate, 1.8 km.
122. **Veinot Road**, from Mill Road northerly to end of listing, 0.7 km.
123. **Wake Up Hill Road**, from Trunk 3 northerly to Trunk 14, 2.2 km.
124. **Walburne Road**, from Newburne Road easterly to Woodstock Road, 5.4 km.
125. **Whynaught Road**, from Leary Fraser Road northerly to Mullock Road, 1.6 km.
126. **Wiles Lake Road**, from Route 325 westerly to end of listing, 1.2 km.
127. **William Hebb Road**, from Conquerall Mills Road northerly to Bridgewater town line, 2.0 km.
128. **William Wile Road**, from Century Drive northerly to Route 325, 1.5 km.
129. **Windsor Road**, from Trunk 12 in New Ross easterly to Hants County line near Leminster, 16.0 km.
130. **Woodworth Road**, from Lapland Road westerly to end of listing, 1.2 km.

Pictou County

1. **Trunk 4**, from French River Road easterly to Laggan Road, 10.5 km.
2. **Trunk 4**, from New Glasgow town line easterly to Highway 104, 10.0 km.
3. **Trunk 4**, from Highway 104 at Sutherlands River easterly to Alex Fraser Road, 1.6 km.
4. **Trunk 4**, from Highway 104 at Marshy Hope easterly to Antigonish County line, 1.9 km.
5. **Trunk 6**, from Pictou Rotary westerly to Colchester County line, 40.1 km.
6. **Route 245**, from Highway 104 at Sutherland River easterly to Park and Williams Sawmill, 1.0 km.
7. **Route 245**, from Browns Hill Road easterly to Antigonish County line, 15.1 km.
8. **Route 256**, from Campbell Hill Road westerly to Colchester County line, 18.7 km.
9. **Route 289**, from Colchester County line easterly to Hamilton Street, 22.4 km.
10. **Route 289**, from Westville town line northerly to New Glasgow Town Line, 2.0 km.
11. **Route 289**, from New Glasgow town line northerly to Route 348, 7.8 km.
12. **Route 347**, from Marsh Road southerly to Greens Brook Road, 44.0 km.
13. **Route 347**, from Guysborough County line northerly to private road on northeast side, 1.8 km.
14. **Route 347**, from New Glasgow town line easterly to Highway 104 Exit 26, 2.0 km.
15. **Route 348**, from Highway 104 southerly to Guysborough County line, 36.6 km.
16. **Route 348**, from Trenton town line northerly to Lower Street (north end), 8.3 km.
17. **Route 348**, from Chance Harbour Road easterly to Route 289, 7.0 km.
18. **Route 376**, from Trunk 4 at West River northerly to Route 256, 11.5 km.
19. **Abercrombie Loop**, from Granton Abercrombie Road southerly to Granton Abercrombie Road, 0.9 km.
20. **Adrian Smith Road**, from Granton Abercrombie Road easterly to end of listing, 0.8 km.

21. **Allen Road**, from Old Pictou Road northerly to River John Road, 1.6 km.
22. **Alma Loop**, from Highway 104 easterly to end of listing, 0.5 km.
23. **Anderson Road**, from Route 348 easterly to end of listing, 0.3 km.
24. **Angus Falconer Road**, from Carmichael Road northerly to Trunk 6, 1.0 km.
25. **Arbuckle Road**, from Barneys River Road northerly to Route 245, 7.4 km.
26. **Archibald Road**, from Elgin Road southerly to end of listing, 3.7 km.
27. **Austin MacDonald Road**, from Division Road northerly to end of listing, 0.4 km.
28. **Back Settlement Road**, from Elgin Road easterly to Tina Carr Road, 2.5 km.
29. **Barneys River Cemetery Road**, from Route 245 northerly to end of listing, 1.2 km.
30. **Barneys River East Side Road**, from Trunk 4 southerly to Stora's "Bora Lake Road", 9.2 km.
31. **Barneys River Road**, from Highway 104 northerly to Route 245, 11.1 km.
32. **Barron Road**, from Louisville Road easterly to Mountain Road, 1.1 km.
33. **Bayview Place**, from Oceanview Crescent northerly to end of listing, 0.3 km.
34. **Bayview Road**, from Three Brooks Road southerly to Three Brooks Road, 4.1 km.
35. **Bear Brook Road**, from John Munroe Road westerly to end of listing, 1.4 km.
36. **Beck Road**, from Scotch Hill Road northerly to River John Road, 1.4 km.
37. **Bells Lane**, from Route 245 northerly to end of listing, 0.3 km.
38. **Berichon Road**, from Colchester County line easterly to Route 256, 2.4 km.
39. **Big Cove Road**, from Trunk 4 northerly to end of listing, 2.4 km.
40. **Big Island Road**, from Route 245 northerly to end of listing, 12.5 km.
41. **Black Point Road**, from Route 348 northerly to James Willie Drive (private road), 2.6 km.
42. **Boyles Road**, from Route 348 westerly to end of listing, 0.6 km.
43. **Bridgeville Road**, from Route 348 southerly to Elgin Road, 1.0 km.
44. **Brookland Road**, from Trunk 4 northerly to Stillman Road, 8.8 km.
45. **Brookville Branch**, from Route 348 northerly to Brookville Road, 7.5 km.
46. **Brookville Road**, from McLellans Brook Road southerly to McLellan Mountain Glencoe Road, 11.8 km.
47. **Browns Hill Road**, from Piedmont Valley Road northerly to Route 245, 5.3 km.
48. **Browns Mountain Road**, from Arbuckle Road southerly to Old Browns Mountain Road, 0.9 km.
49. **Burns MacIntosh Loop**, from Route 347 easterly to Route 347, 0.3 km.
50. **Cairo Lane**, from Egypt Road easterly to end of listing, 0.2 km.
51. **Campbell Hill Road**, from Elmfield Road northerly to Start of Schedule C Route, 5.1 km.
52. **Canavan Drive**, from Patterson Road easterly to Edward Road, 0.2 km.
53. **Cape John Road**, from Trunk 6 westerly to end of listing, 8.2 km.
54. **Cemetary [Cemetery] Road**, from River John Station Road easterly to end of listing, 0.7 km.

55. **Centerdale Road**, from Elgin Road northerly to Millstream Road, 3.6 km.
56. **Central Caribou Road**, from Division Road southerly to Three Brooks Road, 3.8 km.
57. **Chance Harbour Road**, from Route 348 northerly to Route 348, 6.1 km.
58. **Colleen Lane**, from Egypt Road westerly to end of listing, 0.4 km.
59. **Company Road**, from Granton Abercrombie Road northerly to end of listing, 0.6 km.
60. **Concorde Road**, from Route 289 southerly to private wood road, 0.7 km.
61. **Condon Road**, from Route 256 northerly to Hardwood Hill Road, 2.6 km.
62. **Coromonie Road**, from Route 348 northerly to Brookville Branch, 4.4 km.
63. **Cove Road**, from West River Station Road northerly to Mount Thom Road, 7.5 km.
64. **Crockett Road**, from Middle River Road easterly to White Hill Road, 1.8 km.
65. **Cummings Mountain Road**, from Sunnybrae-Eden Road northerly to Blanchard Road, 8.7 km.
66. **Dalhousie Road**, from Loganville Road southerly to end of listing, 10.0 km.
67. **Dan Fraser Road**, from Greenhill Road northerly to Sylvester Road, 5.2 km.
68. **Dewar Road**, from Trunk 4 northerly to end of listing, 1.0 km.
69. **Division Road**, from Trunk 6 easterly to private road on south side of Division Road, 2.9 km.
70. **Division Road**, from Trunk 6 easterly to Bayview Road, 4.7 km.
71. **Docker Road**, from Big Island Road southerly to end of listing, 0.6 km.
72. **Dryden Lake Road**, from Route 289 northerly to White Hill Road, 8.5 km.
73. **Dunbar Road**, from Brookland Road easterly to Graveyard Road, 1.8 km.
74. **Dunmaglass Road**, from MacGee Road easterly to Antigonish County line, 2.2 km.
75. **Durham Hill Road**, from Route 376 westerly to Gammco Lumber at Scotsburn, 4.8 km.
76. **E Fraser Road**, from Middle River Road easterly to Marshdale Road, 5.5 km.
77. **East River West Side Road**, from Bridgeville Road easterly to Route 348 at Sunnybrae, 9.4 km.
78. **Edward Avenue**, from Jean Road southerly to Katherine Road, 0.2 km.
79. **Egypt Road**, from Route 348 northerly to Route 348, 6.6 km.
80. **Elgin Road**, from Bridgeville Road westerly to Centerdale Road, 3.2 km.
81. **Elmfield Road**, from Campbell Hill Road easterly to Porter Road, 1.9 km.
82. **Factory Road**, from Route 245 westerly to end of listing, 0.8 km.
83. **Fitzpatrick Mountain Road**, from O Maclean Road westerly to end of listing, 2.4 km.
84. **Forbes Road**, from Route 376 southerly to end of listing, 0.3 km.
85. **Foster Avenue**, from Route 289 easterly to Stellarton town line, 0.3 km.
86. **Foxbrook Road**, from Route 374 northerly to Westville town line, 4.8 km.
87. **Fraser Loop**, from Route 347 easterly to Route 347, 0.2 km.
88. **Fraser Road**, from Route 347 southerly to end of listing, 2.3 km.
89. **Fraser Road**, from Granton-Abercrombie Road southerly to end of listing, 1.4 km.

90. **Frasers Cross Road**, from Trunk 4 northerly to Piedmont Valley Road, 1.8 km.
91. **Frasers Mountain Branch**, from Frasers Mountain Road easterly to Glenfalloch Road, 3.2 km.
92. **Frasers Mountain Road**, from New Glasgow town line easterly to Trunk 4, 4.4 km.
93. **Fred MacLeod Road**, from French River Road easterly to end of listing, 0.8 km.
94. **French River Road**, from Moose River Road northerly to Trunk 4, 13.8 km.
95. **G MacKenzie Road**, from Montreal Road northerly to Millbrook Road, 2.3 km.
96. **Garden of Eden Church Loop**, from Route 347 easterly to Route 347, 0.4 km.
97. **Glen East Road**, from Division Road northerly to Bayview Road, 4.1 km.
98. **Glen Forest Drive**, from Route 376 easterly to end of listing, 0.5 km.
99. **Glen Road**, from Trunk 4 northerly to Dalhousie Road, 12.0 km.
100. **Glenfalloch Road**, from Route 289 easterly to Woodburn Road, 4.7 km.
101. **Gordon Road**, from George MacKenzie Road southerly to end of listing, 0.9 km.
102. **Graham Road**, from West River East Side Road southerly to Colchester County line, 5.6 km.
103. **Grant Road**, from Route 348 northerly to end of listing, 0.6 km.
104. **Granton Abercrombie Branch**, from end of Schedule C northerly to main gate of Kimberly Clark, 1.0 km.
105. **Granton Abercrombie Road**, from Trunk 4 northerly to start of Schedule C Route, 4.2 km.
106. **Granton Abercrombie Road**, from Granton-Abercrombie Branch southerly to New Glasgow line, 6.0 km.
107. **Graveyard Road**, from Six Mile Brook Road westerly to Dunbar Road, 2.0 km.
108. **Gray Road**, from Middle River Road southerly to Foxbrook Road, 4.3 km.
109. **Green Hill Road**, from Trunk 4 westerly to MacLean Road, 3.0 km.
110. **Greens Brook Road**, from Route 347 northerly to end of listing, 6.1 km.
111. **Greens Point Road**, from Route 348 westerly to end of listing, 0.6 km.
112. **Gunn Road**, from Stillman Road northerly to Heron Road, 1.6 km.
113. **Gunshot Road**, from Glen Road westerly to Colchester County line, 2.1 km.
114. **Halliday Road**, from E Fraser Road northerly to Foxbrook Road, 2.6 km.
115. **Hardwood Hill Road**, from Meadowville Station Road easterly to Route 256, 10.3 km.
116. **Harris Road**, from Murray Road northerly to Trunk 6, 0.8 km.
117. **Heathbell Road**, from Route 256 easterly to River John Road, 9.6 km.
118. **Hedgeville Road**, from River John Road northerly to Trunk 6, 5.7 km.
119. **Heron Road**, from Route 376 westerly to Gunn Road, 3.0 km.
120. **Hollow Branch**, from Hollow Road easterly to Greenwood Road, 0.7 km.
121. **Hollow Road**, from Route 347 northerly to Thorburn Road, 1.0 km.
122. **Hortons Road**, from Route 374 westerly to end of listing, 1.1 km.

123. **J M Sutherland Road**, from Laggan Road southerly to end of listing, 0.8 km.
124. **James McKay Road**, from Toney River Road northerly to Trunk 6, 2.6 km.
125. **James Sutherland Road**, from French River Road northerly to MacGraths Mountain Road, 3.2 km.
126. **Jean Drive**, from Edward Road easterly to Springfield Road, 0.2 km.
127. **Joe Matheson Road**, from Route 256 northerly to end of listing, 0.4 km.
128. **John Campbell Road**, from Route 289 easterly to Fraser Mountain Road, 1.4 km.
129. **John Munroe Road**, from Highway 104 at Marshy Hope northerly to Bear Brook Road, 3.1 km.
130. **Joudrey Road**, from Louisville Road northerly to end of listing, 0.9 km.
131. **K Ross Road**, from Route 289 easterly to Wallace Road, 0.8 km.
132. **Katherine Drive**, from Edward Road easterly to Springfield Road, 0.2 km.
133. **Kennedy Hill Road**, from McLellan Mountain-Glencoe Road southerly to Route 348, 4.8 km.
134. **Laggan Road**, from Moose River Road easterly to Barneys River East Side Road, 10.8 km.
135. **Lairg Road**, from Montreal Road at Gairloch southerly to Route 289, 3.4 km.
136. **Lansdowne Road**, from Route 289 westerly to West River East Side Road, 6.8 km.
137. **Lewis Road**, from Route 348 northerly to end of listing, 1.1 km.
138. **Linacy Road**, from Highway 104 northerly to Trunk 4, 1.7 km.
139. **Linus Cameron Road**, from Barneys River Road westerly to end of listing, 0.8 km.
140. **Logan Road**, from Trenton town line easterly to Route 289, 1.8 km.
141. **Loganville Road**, from Dalhousie Road northerly to Route 256 at Black River, 7.6 km.
142. **Lorne Extension**, from New Glasgow town line easterly to Trunk 4, 0.3 km.
143. **Lorne Road**, from White Hill Road easterly to end of listing, 0.5 km.
144. **Lorne Station Road**, from Glengarry Road westerly to White Hill Road, 3.8 km.
145. **Louisville Road**, from Trunk 6 westerly to Colchester County line, 5.6 km.
146. **Lower Road**, from Route 348 northerly to Route 348, 3.2 km.
147. **Macauley Road**, from Watt Road northerly to Trunk 6, 4.5 km.
148. **MacDonald Road**, from MacPherson Mills Road southerly to end of listing, 0.9 km.
149. **MacDonalds Cove Road**, from Trunk 6 northerly to end of listing, 0.5 km.
150. **MacGregor Extension**, from Route 289 southerly to Stellarton town line, 0.3 km.
151. **MacIntosh Road**, from Route 347 northerly to end of listing, 1.7 km.
152. **MacIntosh Road**, from Route 256 northerly to private road west of McIntosh, 4.0 km.
153. **MacKay Corner Road**, from Trunk 6 northerly to Shore Road, 1.6 km.
154. **MacKay Road**, from West Branch Road westerly to Mountain Road, 5.0 km.
155. **MacKay Road**, from Route 347 northerly to Trunk 4, 3.4 km.
156. **MacKay Road**, from Four Mile Brook Road easterly to Route 376, 3.8 km.
157. **Mackenzie Road**, from Black Point Road northerly to end of listing, 0.8 km.

158. **MacKinnon Lake Road**, from East River West Side Road southerly to end of listing, 4.6 km.
159. **MacLaren Road**, from Sunnybrae-Eden Road southerly to Hoyt Road, 1.6 km.
160. **MacLean Road**, from Trunk 4 easterly to MacDonald Hill Road, 2.2 km.
161. **MacLeod Road**, from Peter Sutherland Road easterly to end of listing, 1.8 km.
162. **MacLeod Road**, from Hardwood Hill Road easterly to Second Division Road, 1.6 km.
163. **MacNaughton Road**, from Scotch Hill Road easterly to end of listing, 0.8 km.
164. **MacPherson Mills Road**, from Route 347 northerly to Thorburn Road, 2.4 km.
165. **MacPherson Road**, from Montreal Road southerly to Gairloch Lake Road, 2.3 km.
166. **Mark Road**, from Route 374 westerly to Foxbrook Road, 2.6 km.
167. **Marsh Road**, from end of Schedule C Route easterly to Thorburn Road, 1.9 km.
168. **Marshdale Road**, from Route 374 westerly to White Hill Road, 4.4 km.
169. **Mary Drive**, from Springfield Road easterly to Randy Road, 0.3 km.
170. **Matheson Road**, from Montreal Road southerly to Route 289, 4.2 km.
171. **Maxwell Road**, from Highway 104 southerly to West River Station Road, 2.9 km.
172. **McBain Corner Road**, from Colchester County line easterly to Route 256, 2.2 km.
173. **McBain Road**, from Meadowville Station Road at Meadowville westerly to end of listing, 2.4 km.
174. **McGee Road**, from Dunmaglass Road northerly to Route 245, 2.3 km.
175. **McGraths Road**, from Moose River Road northerly to MacGraths Mountain Road, 3.2 km.
176. **McIntosh Road**, from Campbell Hill Road westerly to end of listing, 2.4 km.
177. **McLellan Hunter Road**, from McLellan Mountain-Glencoe Road northerly to Fall Brook Road, 4.1 km.
178. **McLellan Mountain Glencoe Road**, from Webster Road southerly to Route 348, 15.0 km.
179. **McLellan Mountain Road**, from Glencoe Road northerly to Wilfred MacDonald Road, 1.4 km.
180. **McWilliam Road**, from Trunk 4 northerly to end of listing, 1.1 km.
181. **Meadowville Station Road**, from Route 256 northerly to River John Road, 6.9 km.
182. **Millsville Road**, from Porter Road easterly to Durham Road, 6.5 km.
183. **Monroe Avenue**, from Route 289 southerly to New Glasgow town line, 1.6 km.
184. **Montreal Road**, from Route 289 southerly to Lansdowne Road, 10.5 km.
185. **Moose River Road**, from Route 347 northerly to Laggan Road, 7.6 km.
186. **Mount Thom Branch**, from Mount Thom Road easterly to end of listing, 0.2 km.
187. **Mount Thom Road**, from Trunk 4 westerly to Colchester County line, 5.8 km.
188. **Mount William Road**, from Granton Abercrombie Road southerly to Route 289, 6.1 km.
189. **Mountain Crescent**, from Route 347 southerly to Route 347, 0.3 km.
190. **Mountain Road**, from Trunk 6 southerly to Colchester County line, 9.6 km.
191. **Mountville Road**, from Route 348 northerly to MacLellans Brook Road, 4.1 km.

192. **Munroe Road**, from Barneys River East Side Road easterly to private road, 0.9 km.
193. **Murphy Road**, from Cape John Road southerly to end of listing, 0.8 km.
194. **Murray Road**, from Pleasant Valley Road easterly to Salter Road, 2.9 km.
195. **Murray Road**, from MacIntosh Road northerly to end of listing, 0.5 km.
196. **Murray Road**, from Harris Road easterly to Trunk 6, 0.9 km.
197. **Narrows Road**, from Route 289 westerly to Trenton town line, 0.4 km.
198. **New Road**, from Baileys Brook-Ardness Road northerly to Route 245, 2.3 km.
199. **New Road**, from Cape John Road southerly to Trunk 6, 4.7 km.
200. **O Maclean Road**, from Route 256 southerly to Durham Road, 2.1 km.
201. **Oceanview Crescent**, from Trunk 6 easterly to Trunk 6, 0.5 km.
202. **Old Blue Mountain Branch**, from Old Blue Mountain Road easterly to Route 347, 1.0 km.
203. **Old Browns Mountain Road**, from Browns Mountain Road easterly to end of listing, 0.3 km.
204. **Old Coach Road**, from Trunk 4 westerly to Trunk 4, 5.9 km.
205. **Old Halifax Road**, from Truro Road northerly to Route 289, 1.5 km.
206. **Old Pictou Road**, from Allen Road easterly to River John Road, 7.0 km.
207. **Old Pine Tree Road**, from Trunk 4 southerly to Highway 194, 0.7 km.
208. **Owen Road**, from Hardwood Hill Road southerly to end of listing, 1.0 km.
209. **Park Road**, from Route 347 westerly to end of listing, 0.7 km.
210. **Patterson Road**, from Trunk 4 northerly to Greenhill Road, 0.8 km.
211. **Peter Sutherland Road**, from Loganville Road southerly to end of listing, 2.1 km.
212. **Piedmont Valley Road**, from Route 245 southerly to Avondale Cross Road, 5.1 km.
213. **Pine Tree Road**, from Marsh Road northerly to Trunk 4, 4.1 km.
214. **Pleasant Valley Road**, from Trunk 4 at Greenhill southerly to Salter Street, 1.3 km.
215. **Point Fourty [Forty] Four Road**, from Route 348 northerly to end of listing, 1.2 km.
216. **Priests Road**, from Central Caribou Road easterly to Glen East Road, 1.2 km.
217. **Priestville Loop**, from Route 347 easterly to Route 347, 0.5 km.
218. **Pumphouse Branch**, from Pumphouse Road southerly to end of listing, 0.2 km.
219. **Pumphouse Road**, from Granton-Abercrombie Road westerly to end of listing at Pumphouse, 0.2 km.
220. **Quarry Brook Drive**, from Route 376 westerly to end of listing, 0.5 km.
221. **R Grant Road**, from Trunk 6 easterly to Shore Road, 3.0 km.
222. **Randy Avenue**, from Mary Road southerly to Sabrina Road, 0.1 km.
223. **Reeves Road**, from Route 347 westerly to end of listing, 1.4 km.
224. **River John Road**, from Trunk 6 at River John easterly to Trunk 6 at Pictou, 26.0 km.
225. **River John Station Road**, from Trunk 6 southerly to West Branch Road, 2.7 km.
226. **River Road**, from Trunk 6 northerly to Cape John Road, 0.9 km.

227. **Riverside Road**, from Barneys River East Side Road easterly to Rossfield Road, 2.2 km.
228. **Robertson Lane**, from Trunk 4 northerly to end of listing, 0.4 km.
229. **Robie Cameron Road**, from French River Road westerly to end of listing, 0.6 km.
230. **Rockfield Road**, from Millsville Road easterly to Route 376, 3.9 km.
231. **Roger Road**, from River John Station Road easterly to end of listing, 2.1 km.
232. **Ross Road**, from Route 347 northerly to end of listing, 1.3 km.
233. **Ross Road**, from Mill Road southerly to Laggan Road, 2.1 km.
234. **Ross Road**, from Pleasant Valley Road easterly to Murray Road, 1.1 km.
235. **Ross Road**, from West River East Side Road easterly to Gravel Pit Road, 2.5 km.
236. **Rossfield Road**, from Trunk 4 southerly to private roadway on east side of Rossfield Road, 1.0 km.
237. **Sabrina Drive**, from Springfield Road easterly to Randy Road, 0.3 km.
238. **Salem Loop**, from Trunk 4 easterly to Trunk 4, 1.3 km.
239. **Salter Road**, from Route 289 southerly to Pleasant Valley Road, 3.2 km.
240. **School Road**, from Trunk 4 southerly to Mount Thom Road, 1.6 km.
241. **School Road**, from Trunk 4 easterly to East Pictou Rural High School, 0.8 km.
242. **Scotch Hill Road**, from end of Schedule C Route northerly to River John Road, 6.0 km.
243. **Second Division Road**, from Heathbell Road northerly to Scotch Hill Road, 6.3 km.
244. **Siding Road**, from Route 347 at Eden Lake southerly to end of listing, 0.3 km.
245. **Sinclair Island Road**, from Route 348 northerly to end of listing, 2.3 km.
246. **Skidders Cove Road**, from New Road northerly to Skidders Cove Road, 1.5 km.
247. **Skidders Cove West**, from New Road northerly to end of listing, 0.7 km.
248. **Smith Road**, from Moose River Road northerly to end of listing, 1.6 km.
249. **Springfield Avenue**, from Jean Road southerly to Sabrina Road, 0.2 km.
250. **Station Road**, from Lower Road northerly to end of listing, 0.3 km.
251. **Stewart Road**, from Durham Road northerly to Route 376, 4.8 km.
252. **Stillman Road**, from Six Mile Brook Road northerly to private wood road, 1.4 km.
253. **Sunnybrae Eden Road**, from Route 348 near Sunnybrae easterly to Route 347, 19.4 km.
254. **Sutherland Road**, from Durham Road southerly to end of listing, 0.9 km.
255. **Swamp Road**, from Trunk 4 northerly to end of listing, 0.9 km.
256. **Swanson Road**, from Trunk 6 southerly to end of listing, 0.2 km.
257. **Tanner Hill Road**, from West River East Side Road northerly to Salem Loop, 3.8 km.
258. **Tina Carr Road**, from Back Settlement Road easterly to Archibald Road, 0.9 km.
259. **Trunk 4 Alma Loop**, from East side of bridge abutment easterly to Trunk 4, 0.3 km.
260. **Union Road**, from Rod MacKay Road northerly to Rockfield Road, 2.2 km.
261. **Valentine Road**, from Meadowville Station Road easterly to Hardwood Hill Road, 2.3 km.

262. **Viggo Holm Road**, from Abercrombie Road westerly to end of listing, 0.4 km.
263. **Vincent Road**, from Marsh Road southerly to end of listing, 0.3 km.
264. **Walkerville Road**, from New Glasgow town line northerly to Route 347, 0.6 km.
265. **Wallace Road**, from Gray Road northerly to Westville town line, 3.1 km.
266. **Watt Road**, from River John Road easterly to Hedgeville Road, 3.1 km.
267. **Weavers Mountain Road**, from Trunk 4 southerly to end of listing, 4.3 km.
268. **Well Hill Road**, from Route 348 northerly to Lower Road, 0.4 km.
269. **West Branch Road**, from River John Station Road southerly to MacKay Road, 3.3 km.
270. **West River East Side Road**, from Trunk 4 at West River southerly to Graham Road, 17.7 km.
271. **West River Station Road**, from Department Garage southerly to Cove Road, 6.3 km.
272. **West Side Road**, from Route 347 southerly to private road, 2.0 km.
273. **Wharf Road**, from Big Island Road southerly to end of listing, 0.3 km.
274. **White Hill Road**, from Dryden Lake Road northerly to Middle River Road, 13.3 km.
275. **Wilfred MacDonald Road**, from McLellan Mountain Road easterly to Skyview Road, 1.2 km.
276. **Williams Road**, from Marshdale Road northerly to end of listing, 1.3 km.
277. **Woods Road**, from Route 347 northerly to end of listing, 0.5 km.

Queens County

1. **Route 208**, from Trunk 8 at South Brookfield easterly to Lunenburg County line, 14.6 km.
2. **Route 210**, from Medway River Road easterly to Lunenburg County line, 9.2 km.
3. **Beech Hill Road**, from Trunk 3 northerly to end at turning circle, 4.5 km.
4. **Bells Point Road**, from Highway 103 southerly to end of listing, 1.1 km.
5. **Breakwater 1 Road**, from Shore Road easterly to end at breakwater, 0.7 km.
6. **Breakwater Lane**, from Brooklyn Shore Road southerly to end at breakwater, 0.2 km.
7. **Brooklyn Shore Road**, from Trunk 3 easterly to Eastern Shore Road, 6.6 km.
8. **Buckfield Road**, from Route 210 easterly to Lunenburg County line, 3.2 km.
9. **Chapel Hill Drive**, from Route 210 westerly to Trunk 8, 6.5 km.
10. **Cushing Road**, from Trunk 8 northerly to Old Westfield Road, 2.0 km.
11. **Danesville Loop**, from Highway 103 northerly to Lunenburg County line, 2.4 km.
12. **Echo Lodge Road**, from Trunk 8 easterly to end of maintained section, 2.1 km.
13. **Gardner Road**, from Brooklyn Shore Road southerly to end at cemetery, 0.2 km.
14. **Gilmore Road**, from Route 208 southerly to end of listing, 2.1 km.
15. **Hicks Road**, from Trunk 3 southerly to end of maintained section, 2.2 km.
16. **Hillsview Drive**, from Mill Village East Road westerly to Highway 103, 1.5 km.
17. **Hunts Point Wharf Road**, from Trunk 3 southerly to end at wharf, 0.6 km.
18. **Kejimkujik Road**, from Grafton Road southerly to end of listing, 1.1 km.

19. **Meagher Road**, from Trunk 8 northerly to end of listing, 0.7 km.
20. **Middlefield Road**, from Trunk 8 easterly to Route 210, 0.9 km.
21. **Milford Street**, from Trunk 3 northerly to end of listing, 5.5 km.
22. **Moose Harbour Road**, from Shore Road northerly to end of pavement at wharf, 0.4 km.
23. **Mount Pleasant Road**, from Brooklyn Shore Road northerly to Trunk 3, 1.6 km.
24. **New Grafton Road**, from Trunk 8 westerly to Annapolis County line, 4.9 km.
25. **Northfield Road**, from Trunk 8 northerly to Annapolis County line, 4.9 km.
26. **Old Garden Road**, from Trunk 8 westerly to River Road, 12.7 km.
27. **Ponhook Lodge Road**, from Route 210 northerly to gate at campgrounds, 1.9 km.
28. **Shore Road**, from Liverpool town line southerly to Shore Road, 13.3 km.
29. **White Point #1 Road**, from White Point #2 Road easterly to end of maintained section, 0.7 km.
30. **White Point #2 Road**, from Trunk 3 southerly to Trunk 3, 1.2 km.

Richmond County

1. **Trunk 4**, from Inverness County line easterly to Highway 104 at River Tillard, 34.0 km.
2. **Trunk 4**, from West Bay Road easterly to Lynches River Road at Lynche River, 4.2 km.
3. **Route 206**, from Department Garage southerly to Route 320 near Arichat, 12.3 km.
4. **Route 247**, from Trunk 4 at St. Peters easterly to Point Michaud Road at Lower L'Ardoise, 12.6 km.
5. **Route 320**, from Route 206 near Arichat northerly to Yacht Club Road near D'Escousse, 9.7 km.
6. **Anchor Road**, from Whiteside Road westerly to end of listing, 0.4 km.
7. **Anthony Road**, from Route 206 westerly to end of listing at shore, 1.1 km.
8. **Baccardax Road**, from Riverview Drive southerly to end of listing, 0.5 km.
9. **Barrachois Road**, from High Road northerly to end of listing, 0.6 km.
10. **Barrett Road**, from Route 247 westerly to end of listing at shore, 0.8 km.
11. **Basin Road**, from Whiteside Road northerly to Trunk 4, 7.0 km.
12. **Bear Island Road**, from Port Malcolm Road southerly to end of listing, 4.6 km.
13. **Bona Lane**, from Route 247 northerly to end of listing, 0.7 km.
14. **Bona Road**, from Rocky Bay Road northerly to D'Escousse Cap La Ronde, 2.1 km.
15. **Bona Section Road**, from St. Peter's Forchu Road easterly to end of listing, 1.1 km.
16. **Bouchers Lane**, from Church Point Road westerly to end of listing, 0.4 km.
17. **Boudreauville Road**, from Little Anse West Arichat Road southerly to end of listing at shore, 2.7 km.
18. **Boyds Lane**, from North Side River Bourgeois Road northerly to Trunk 4, 0.1 km.
19. **Bras De Murie**, from Route 206 easterly to end of listing, 0.5 km.
20. **Burkeys Lane**, from Route 247 southerly to end of listing at turning circle, 0.4 km.
21. **Cape Auguet Road**, from Little Anse West Arichat Road westerly to end of listing at shore, 5.9 km.
22. **Church Point Branch**, from Church Point Road easterly to Levesconte Lane, 0.6 km.

23. **Church Point Road**, from Trunk 4 southerly to Bouchers Lane, 2.7 km.
24. **Church Street**, from Highway 104 at Port Hawkesbury easterly to Lower River Road, 8.0 km.
25. **Cooper Road**, from Trunk 4 northerly to Black River Road, 5.5 km.
26. **County Line Road**, from Trunk 4 at Cleveland northerly to Marble Mountain Road/Cenotaph Road, 7.2 km.
27. **Cove Road**, from Route 206 westerly to end of listing at shore, 1.0 km.
28. **Creighton Road**, from Route 206 westerly to end of listing on Creighton Island, 3.8 km.
29. **Crooked Lake Branch**, from Crooked Lake Road westerly to end of listing, 0.4 km.
30. **Crooked Lake Road**, from St. Peter's Forchu Road southerly to end of listing at shore, 4.1 km.
31. **De Raymond Street**, from Trunk 4 northerly to Oban Road, 0.8 km.
32. **Des Bosdets Road**, from Route 206 westerly to end of listing at shore, 0.8 km.
33. **D'Escousse Cap La Ronde Road**, from Route 320 at D'Escousse easterly to end of listing, 5.4 km.
34. **Ferguson Road**, from St. Peter's Forchu Road southerly to end of listing, 2.4 km.
35. **Forgeron Lake Road**, from Route 206 easterly to end of listing, 2.4 km.
36. **Framboise School Road**, from St. Peter's Forchu Road easterly to end of listing at school, 0.3 km.
37. **Gibbs Lane**, from Chemin Pondville Nord Road northerly to Rocky Bay Road, 0.5 km.
38. **Goyons Road**, from Des Bosdets Road southerly to Bras De Murie Road, 0.2 km.
39. **Grand Greve Road**, from Route 247 southerly to end of listing, 2.6 km.
40. **Grandique Road**, from Grandique Service Road southerly to Grandique Ferry Road, 2.2 km.
41. **Grandique Service Road**, from Route 320 northerly to Grandique Road, 1.2 km.
42. **Grant Road**, from Lower River Road westerly to Inverness County line, 2.4 km.
43. **Hawker Lane**, from Trunk 4 easterly to Trunk 4, 0.4 km.
44. **High Road**, from Route 320 easterly to Little Anse West Arichat Road, 2.6 km.
45. **Hureauville Road**, from Lower River Road westerly to end of listing, 0.8 km.
46. **Joshua Road**, from South Side Petit De Grat Road southerly to end of listing, 0.8 km.
47. **Landry Harbour Road**, from Grand Greve Road westerly to end of listing at shore, 0.4 km.
48. **L'Archeveque Road**, from St. Peter's Forchu Road southerly to Shore, 1.0 km.
49. **Lavallee Lane**, from North Side River Bourgeois Road northerly to Trunk 4, 0.2 km.
50. **Lelacheur Lane**, from Route 320 easterly to end of listing, 0.5 km.
51. **Lerues Lane**, from Route 247 westerly to Salmon River Road, 0.2 km.
52. **Little Anse West Arichat Road**, from High Road easterly to end of pavement at Little Anse South, 5.9 km.
53. **Little Harbour Road**, from Point Michaud Road westerly to end of listing, 1.0 km.
54. **Lochside Road**, from Lennox Ferry Road easterly to Route 320 at Lochside, 2.9 km.
55. **Lower River Road**, from Trunk 4 at Cleveland southerly to Highway 104, 7.6 km.

56. **Lynche River Road**, from Trunk 4 northerly to Salmon River Road, 4.8 km.
57. **MacDonalds Road**, from St. Peter's Forchu Road southerly to end of listing at Capelin Cove, 9.4 km.
58. **MacEachern Road**, from Port Royal Road easterly to Route 206, 1.0 km.
59. **MacNeil Road**, from Shore Road northerly to end of listing at turning area, 0.9 km.
60. **Mauger Road**, from Bona Road easterly to D'Escousse Cap La Ronde Road, 1.4 km.
61. **Mombourquette Road**, from Shore Road easterly to Point Michaud Road, 0.5 km.
62. **Morrison Road**, from St. Peter's Forchu Road northerly to end of listing, 3.3 km.
63. **North Side River Bourgeois Road**, from Trunk 4 easterly to Church Point Road, 3.8 km.
64. **Oban Road**, from Morrison Road southerly to West Bay Road, 8.1 km.
65. **Old Boudreauville Road**, from Little Anse West Arichat Road southerly to Boudreauville Road, 1.2 km.
66. **Old Gullet Road**, from D'Escousse Cap La Ronde Road easterly to D'Escousse Cap La Ronde Road, 0.2 km.
67. **Old St. Peter's Forchu Loop**, from St. Peter's Forchu Road easterly to St. Peter's Forchu Road, 0.6 km.
68. **Old Trunk 4 Loop**, from Trunk 4 easterly to Trunk 4, 0.1 km.
69. **Pates Lane**, from Trunk 4 easterly to Trunk 4, 0.6 km.
70. **Pettipas Road**, from Bona Road northerly to D'Escousse Cap La Ronde Road, 1.3 km.
71. **Pondville Surd Road**, from Route 320 easterly to end of listing, 1.6 km.
72. **Pottie Road**, from Route 247 southerly to end of listing, 0.5 km.
73. **Pulp Mill Road**, from Henry Paint Road southerly to Stora Pulp Mill, 0.5 km.
74. **Ranson Road**, from Route 247 southerly to end of listing, 0.3 km.
75. **Rear Black River**, from West Bay Road southerly to Cooper Road, 3.2 km.
76. **Rear Rockdale Road**, from Route 247 northerly to end of listing, 3.0 km.
77. **Recreation Road**, from Church Point Road northerly to Trunk 4, 0.7 km.
78. **River Inhabitants Road**, from Inverness County line southerly to Trunk 4, 0.3 km.
79. **Riverview Drive**, from Trunk 4 northerly to Trunk 4, 1.1 km.
80. **Robins Road**, from Cape Auguet Road westerly to end of listing, 2.2 km.
81. **Rocky Bay Road**, from Route 320 easterly to end of listing at Cap La Ronde, 7.5 km.
82. **Rogers Road**, from Route 206 southerly to Port Royal Road, 4.2 km.
83. **Salmon River Road**, from Shore Road northerly to Trunk 4, 8.8 km.
84. **School Road**, from Route 247 southerly to Shore Road, 0.6 km.
85. **Shore Road**, from Route 247 and Point Michaud Road southerly to Little Harbour Road, 2.4 km.
86. **South Side Petit De Grat Road**, from Little Anse West Arichat Road southerly to Alderney Point, 2.2 km.
87. **South Side River Bourgeois Road**, from Riverview Drive easterly to end of listing, 3.0 km.

88. **Sporting Mountain Road**, from Trunk 4 at Cannes northerly to Back Road at Sporting Mountain, 3.4 km.
89. **St. Peter's Forchu Road**, from Point Michaud Road northerly to Framboise River Bridge, 38.6 km.
90. **Three Islands Cove Branch**, from Route 247 southerly to end of listing at shore, 0.8 km.
91. **Three Islands Cove Road**, from Route 247 westerly to end of listing at shore, 1.5 km.
92. **Toulouse Street**, from Trunk 4 southerly to Denys Road, 0.5 km.
93. **Veterans Memorial Drive**, from Route 206 easterly to High Road, 6.6 km.
94. **Walkerville Road**, from Whiteside Road easterly to Whiteside Road, 3.4 km.
95. **West Side Grand River Road**, from St. Peter's Forchu Road easterly to end of listing at shore, 4.4 km.
96. **Wharf Road**, from Church Point Branch westerly to end of listing, 0.5 km.
97. **Whiteside Road**, from Evanston Road easterly to Route 320, 11.2 km.
98. **Willie C Drive**, from Route 247 easterly to School Road, 0.3 km.

Shelburne County

1. **Trunk 3**, from Oak Park Road at Barrington westerly to Yarmouth County line, 31.3 km.
2. **Trunk 3**, from Highway 103 Exit 27 easterly to Browns Lane, 1.8 km.
3. **Trunk 3**, from Shelburne town line easterly to Highway 103 Exit 25, 4.2 km.
4. **Trunk 3**, from Highway 103 Exit 24 southerly to Reddings Road, 4.5 km.
5. **Route 309**, from Trunk 3 at Barrington southerly to Port La Tour Road, 11.1 km.
6. **Route 330**, from Trunk 3 near Barrington Passage southerly to Clarks Harbour town line, 12.8 km.
7. **Baccaro Road**, from Port La Tour Road easterly to Port La Tour Road, 6.1 km.
8. **Bear Point Road**, from Trunk 3 easterly to Trunk 3, 4.6 km.
9. **Boundary Street**, from Route 330 westerly to end of listing, 0.5 km.
10. **Bowers Road**, from Route 203 northerly to Route 203, 2.2 km.
11. **Centreville Southside Road**, from Clarks Harbour town line southerly to Route 330, 6.8 km.
12. **Cross Road**, from Port Clyde easterly to Highway 103, 0.5 km.
13. **Doctors Cove Road**, from Trunk 3 southerly to end of listing, 0.6 km.
14. **East Sable Road**, from Highway 103 southerly to Johnsons Pond, 15.3 km.
15. **Factory Hill Road**, from Oak Park Road southerly to Oak Park Road, 1.0 km.
16. **Falls Point Road**, from Trunk 3 westerly to end of listing, 0.6 km.
17. **Forbes Point Road**, from Trunk 3 southerly to end of listing, 4.8 km.
18. **Haydens Road**, from Trunk 3 northerly to Trunk 3, 0.9 km.
19. **Hodgsons Road**, from Route 203 westerly to end of listing, 1.1 km.
20. **Jones Harbour Road**, from East Sable Road southerly to end of listing, 1.2 km.
21. **Lighthouse Road**, from Baccaro Road southerly to Lighthouse Road, 0.8 km.
22. **Oak Hill Road**, from Route 203 northerly to end of listing, 5.0 km.

23. **Old Ferry Wharf Road**, from Port La Tour southerly to Port La Tour, 0.7 km.
24. **Old Post Road**, from Trunk 3 at Barrington westerly to Route 309, 0.5 km.
25. **Old Post Road**, from Trunk 3 northerly to Trunk 3, 0.6 km.
26. **Petticoat Lane**, from Trunk 3 northerly to end of listing, 0.5 km.
27. **Port La Tour Road**, from Baccaro Road northerly to Route 309, 3.7 km.
28. **Quinns Road**, from Highway 103 Exit 28 northerly to end at Quinns Dam, 4.2 km.
29. **River Road**, from Oak Park Road easterly to Trunk 3, 2.3 km.
30. **Sherose Island Road**, from Trunk 3 southerly to end of listing at shore, 1.2 km.
31. **Smithsville Wharf Road**, from Port La Tour Road easterly to end of listing, 0.6 km.
32. **Stoney Island Road**, from Route 330 southerly to Route 330, 10.0 km.
33. **West Bear Point Road**, from Bear Point Road westerly to end of listing, 0.7 km.

Victoria County

1. **Route 205**, from Highway 105 Exit 10 westerly to MacDonald Road, 3.6 km.
2. **Ahle Road**, from Old Trunk 5 Road westerly to end of listing, 0.3 km.
3. **Atlanta Avenue**, from Route 205 easterly to end of listing, 0.1 km.
4. **Beverlys Hill Loop**, from Highway 105 southerly to Highway 105, 1.6 km.
5. **Big Bras d'Or Ferry Road**, from Old Trunk 5 Road westerly to end of listing at Old Ferry Dock, 0.4 km.
6. **Black Rock Road**, from Old Trunk 5 Road northerly to Cape Breton County line, 5.0 km.
7. **Cabot Trail**, from Highland Road at Hunters Mountain northerly to Inverness County line, 19.0 km.
8. **Caines Mountain Cross Road**, from Little Narrows Road southerly to Little Narrows gypsum haul road, 0.2 km.
9. **Church Loop**, from West Side Middle River Road southerly to Highway 105, 0.2 km.
10. **Factory Road**, from Old Trunk 5 Road westerly to end of listing, 0.3 km.
11. **Gairloch Mountain Road**, from West Side Middle River Road westerly to end of listing, 6.0 km.
12. **Gold Brook Road**, from Cabot Trail northerly to end of listing, 3.9 km.
13. **Humes Rear East Loop**, from Highway 105 southerly to Humes Rear Road, 0.4 km.
14. **Humes Rear West Loop**, from Highway 105 northerly to Humes Rear Road, 0.5 km.
15. **Indian Brook Road**, from Gairloch Mountain Road northerly to Gillanders Mountain Branch, 4.8 km.
16. **Lakeview Drive**, from Old Trunk 5 Road easterly to end of listing, 0.2 km.
17. **Little Narrows Road**, from Route 223 easterly to Caines Mountain Cross Road, 4.0 km.
18. **MacBelger Crescent**, from Highway 105 northerly to Highway 105, 0.9 km.
19. **MacDonald Farm Loop**, from West Side Middle River Road northerly to West Side Middle River Road, 0.5 km.
20. **MacIntyre Road**, from Cabot Trail easterly to end of listing, 1.7 km.
21. **MacKenzie Drive**, from Old Trunk 5 Road southerly to end of listing, 0.2 km.

22. **Maple Hill Drive**, from Old Trunk 5 Road easterly to end of listing, 0.6 km.
23. **Nyanza Wharf Loop**, from Highway 105 northerly to Highway 105, 0.5 km.
24. **Old Trunk 5 Road**, from Highway 105 northerly to Cape Breton County line, 9.6 km.
25. **Patterson Road**, from Highway 105 southerly to Cape Breton County line, 1.8 km.
26. **Port Bevis Road**, from Highway 105 northerly to Highway 105, 1.0 km.
27. **South Haven Loop**, from Highway 105 northerly to Highway 105, 0.6 km.
28. **St. James Road**, from Old Trunk 5 Road easterly to Cape Breton County line, 1.6 km.
29. **Table Head Road**, from Black Rock Road northerly to end of listing, 2.4 km.
30. **The Auld Road**, from Cabot Trail southerly to Cabot Trail, 0.3 km.
31. **West Side Middle River Road**, from Highway 105 at Nyanza northerly to Nicholson Bridge, 14.2 km.

Yarmouth County

1. **Trunk 1**, from Richmond Road northerly to Spider Street, 1.7 km.
2. **Trunk 1**, from Yarmouth town line (north) northerly to Greenville Road, 3.4 km.
3. **Trunk 1**, from Lakeside Drive northerly to Lake Darling Road, 7.4 km.
4. **Trunk 3**, from Shelburne County line northerly to Laurence Sweeney Fisheries, 3.6 km.
5. **Trunk 3**, from Highway 103 near Glenwood northerly to Eel Lake Road, 8.0 km.
6. **Trunk 3**, from Abrams River Road northerly to Van Norden Road, 2.9 km.
7. **Trunk 3**, from Chebogue Road northerly to Yarmouth town line (west), 1.7 km.
8. **Route 203**, from Indian Hill Road easterly to Minor Road, 9.9 km.
9. **Route 304**, from Yarmouth town line (west) southerly to Bayview Road, 4.0 km.
10. **Route 308**, from Bourques Cove Road northerly to Bill White Road, 22.1 km.
11. **Route 340**, from Highway 101 Exit 34 northerly to Digby County line, 35.0 km.
12. **Abrams River Road**, from Trunk 3 southerly to end of listing, 3.2 km.
13. **Armstrong Road**, from Route 308 northerly to end of listing, 3.4 km.
14. **Bayview Road**, from Route 304 northerly to end of listing, 0.9 km.
15. **Bill White Road**, from Route 308 northerly to end of Listing, 4.6 km.
16. **Blockine Road**, from Tour Des Buttes Road westerly to end of listing, 0.7 km.
17. **Bloomfield Road**, from Valley Crescent Road northerly to Brazil Lake Road, 4.1 km.
18. **Bourque Crescent**, from Route 308 westerly to Bourque Cove Road, 0.8 km.
19. **Bourques Cove Road**, from Route 308 westerly to end of pavement, 1.0 km.
20. **Brazil Lake Road**, from Route 340 northerly to Bloomfield Road, 9.3 km.
21. **Brenton Road**, from Lake George Road easterly to Brazil Lake Road, 3.2 km.
22. **Carleton Triangle Road**, from Route 340 easterly to Route 203, 0.5 km.
23. **Cedar Drive**, from Lakeside Road northerly to MacCormick Road, 1.8 km.
24. **Cedar Lake Road**, from Digby County line easterly to Digby County line, 2.4 km.

25. **Chebogue Road**, from Yarmouth town line easterly to Trunk 3, 13.0 km.
26. **Cleveland Road**, from Chebogue Road northerly to Wyman Road, 2.9 km.
27. **Courthouse Road**, from Route 308 easterly to North Burke Road, 3.1 km.
28. **Cross Road**, from Main Shore Road easterly to Lakeside Road, 1.0 km.
29. **Crowell Point Road**, from Rickers Hill Road southerly to end of listing, 1.0 km.
30. **Crowelltown Road**, from Highway 103 northerly to Argyle Head Road, 2.8 km.
31. **Depot Road**, from Route 203 northerly to end of listing, 4.0 km.
32. **Flat Iron Road**, from Chebogue Road southerly to Island View Road, 0.7 km.
33. **Frank Doucette Road**, from Trunk 3 westerly to Route 308, 0.7 km.
34. **Gardners Mill Road**, from Bloomfield Road northerly to bridge at Gardners Mill, 1.0 km.
35. **Gold Course Road**, from Pubnico Connector northerly to end of listing, 2.6 km.
36. **Goodwin Road**, from Route 203 northerly to end of listing, 1.1 km.
37. **Hardscratch Road**, from Highway 103 northerly to Route 340, 10.0 km.
38. **Head of Roberts Island Road**, from Roberts Island Road northerly to end of listing, 2.0 km.
39. **Holley Road**, from Route 340 at Pleasant Valley westerly to Brazil Lake Road, 3.3 km.
40. **Indian Hill Road**, from Route 203 southerly to Polly Road, 1.1 km.
41. **John Murray Road**, from Belleville Road northerly to Route 308, 3.8 km.
42. **Lakeside Drive**, from Main Shore Road northerly to Trunk 1, 5.4 km.
43. **Leighton Street**, from Happy Hollow Road northerly to Highway 101, 2.5 km.
44. **Mayflower Lane**, from Belleville Road southerly to Highway 103, 0.9 km.
45. **Meadow Brook Drive**, from North Ohio Road southerly to Highway 101, 2.8 km.
46. **Mill Road**, from Hardscratch Road easterly to Small Gains Road, 2.0 km.
47. **Minor Road**, from Route 203 westerly to Depot Road, 1.4 km.
48. **New Road**, from Trunk 1 easterly to Brooklyn Street, 1.0 km.
49. **North Burke Road**, from Route 308 southerly to Highway 103, 0.9 km.
50. **Oak Road**, from Eel Lake Road easterly to Belleville Road, 0.5 km.
51. **Overton Road**, from Route 304 northerly to Main Shore Road, 3.3 km.
52. **Pitman Road**, from Lake George Road easterly to Route 340, 2.3 km.
53. **Prospect Street**, from Trunk 1 easterly to Brooklyn Street, 0.9 km.
54. **Pubnico Connector**, from Highway 103 northerly to Golf Course Road, 1.1 km.
55. **Rickers Hill Road**, from Roberts Island Road southerly to Roberts Island Road, 0.7 km.
56. **Roberts Island Road**, from Trunk 3 southerly to end of listing, 3.7 km.
57. **Rose Road**, from Trunk 1 easterly to Meadow Brook Road, 2.6 km.
58. **Strickland Road**, from Main Shore Road easterly to Trunk 1, 3.5 km.
59. **Sunday Point Road**, from Chebogue Road westerly to end of listing, 1.0 km.

60. **Tinkham Road**, from Hardscratch Road westerly to Route 340, 2.5 km.
61. **Tour Des Buttes**, from Route 308 southerly to Route 308, 2.2 km.
62. **Tower Road**, from Route 340 easterly to end of listing, 0.5 km.
63. **Town Point Road**, from Chebogue Road easterly to end of listing, 0.7 km.
64. **Valley Crescent**, from Route 340 easterly to Route 340, 0.8 km.
65. **Woodstock Road**, from Richmond Road northerly to Cedar Lake Road, 2.6 km.

N.S. Reg. 5/2010

Commercial Carrier Safety Fitness Rating and Compliance Regulations

Schedule "B"

**Amendment to the *Commercial Carrier Safety Fitness Rating and Compliance Regulations*
made by the Governor in Council pursuant to Section 303G of Chapter 293
of the Revised Statutes of Nova Scotia, 1989, the *Motor Vehicle Act***

The *Commercial Carrier Safety Fitness Rating and Compliance Regulations*, N.S. Reg. 84/2005, made by the Governor in Council by Order in Council 2005-145 dated March 31, 2005, are amended by striking out items 1 to 34 immediately below the heading "*Weights and Dimensions of Vehicles Regulations offences*" in Appendix A and substituting the following items:

1	Operating or causing to be operated vehicle not represented in Schedule A	3(1)	B
2	Operating or causing to be operated vehicle with lift axle without a special permit	3(4)	B
3	Operating or causing to be operated vehicle with overall width greater than 2.6 m	4(1)(a)	B
4	Operating or causing to be operated vehicle with mirrors extending more than 300 mm on each side	4(1)(b)	B
5	Operating or causing to be operated vehicle with auxiliary equipment extending more than 100 mm on each side	4(1)(c)	B
6	Operating or causing to be operated vehicle with overall height greater than 4.15 m	4(1)(d)	B
7	Operating or causing to be operated vehicle with overall length greater than 12.5 m	4(1)(e)	B
8	Operating or causing to be operated vehicle with front overhang greater than 1.0 m	4(1)(f)	B
9	Operating or causing to be operated vehicle with rear overhang greater than 1.0 m without flag	4(1)(g)	B

10	Operating or causing to be operated vehicle with rear overhang greater than 2.0 m	4(1)(h)	B
11	Operating or causing to be operated vehicle with spreads, spacings or dimensions not in accordance with Schedule A	4(2)	B
12	Passenger vehicle with load extending beyond line of fenders on left side or extending more than 150 mm beyond line of fenders on right side	4(4)	B
13	Propelling or moving implement of husbandry with width exceeding 2.6 m without slow moving vehicle sign, fluorescent flags or flashing lights at extremities and warning light	4(6)	B
14	Moving implement of husbandry with width exceeding 2.6 m with motor vehicle not equipped with warning light	4(6A)	B
15	Propelling or moving implement of husbandry with width exceeding 4.27 m without being preceded by pilot vehicle equipped with D-sign and warning light mounted on top	4(6B)	B
16	Operating or causing to be operated vehicle with weight in excess of weight on permit	5(1)(a)	B+
17	Operating or causing to be operated vehicle with axle weight in excess of manufacturer's gross axle weight rating	5(1)(b)	B+
18	Operating or causing to be operated vehicle with axle weight in excess of tire load ratings	5(1)(c)(i)	B+
19	Operating or causing to be operated vehicle with axle weight in excess of 10 kg/mm of tire width	5(1)(c)(ii)	B+
20	Operating or causing to be operated vehicle with axle weight in excess of 9100 kg for 4 tires	5(1)(c)(iii)(A)	B+
21	Operating or causing to be operated vehicle with steering axle weight in excess of 9100 kg for 2 tires	5(1)(c)(iii)(B)	B+
22	Operating or causing to be operated vehicle with non-steering axle weight in excess of 6000 kg for 2 tires	5(1)(c)(iii)(C)	B+
23	Operating or causing to be operated vehicle with tires greater than 445 mm in width with non-steering axle weight in excess of 7700 kg	5(1)(c)(iii)(D)	B+
24	Operating or causing to be operated vehicle with weight in excess of maximum axle weight limit in Schedule A	5(1)(d)	B+
25	Operating or causing to be operated vehicle with adjacent axles in group that vary by more than 1000 g	5(1)(e)	B+

26	Operating or causing to be operated vehicle with weight in excess of 4500 kg on axle of assembly that is not an axle group	5(1)(f)	B+
27	Operating or causing to be operated vehicle with gross vehicle weight in excess of manufacturer's gross vehicle weight rating	5(1)(g)	B+
28	Operating or causing to be operated vehicle with gross vehicle weight in excess of maximum gross vehicle weight limits in Schedule A for class of highway	5(1)(h)	B+
29	Moving or causing to be moved object other than motor vehicle with weight in excess of 9100 kg	5(2)	B+
30	Operating or causing to be operated vehicle with solid tires with weight in excess of allowable weight	5(3)	B+
31	Operating or causing to be operated vehicle with wheel weight in excess of 55% of weight prescribed for axle	5(4)	B+
32	Operating out-of-Province vehicle with weight in excess of weight limits in Schedule A	6(6)	B+
33	Driving or causing to be driven vehicle with weight in excess of maximum weight posted on sign	9(3)	B+
34	Operating or causing to be operated combination of vehicles with combined weight in excess of weight on permit for 1 vehicle in combination	10(1)	B+
35	Operating or causing to be operated vehicle or combination of vehicles with weight in excess of 1500 kg without permit	10(2)	B+
36	Operating or causing to be operated vehicle not conforming with special permit	11(9)	B+
37	Operating or causing to be operated truck or truck tractor with weight in excess of 3000 kg on Trunk 4 between Exits 7 and 11 of Highway 104	13(1)	F
38	Operating or causing to be operated A-train double on highway other than maximum weight road	14(1)(a)	F
39	Operating or causing to be operated B-train double on highway other than B-train route or maximum weight road	14(1)(b)	F
40	Operating or causing to be operated C-train double on highway other than maximum weight road	14(1)(c)	F
41	Violating provision of regulations for which no other penalty is provided (specify)	14(2)	B

N.S. Reg. 6/2010

Made: January 12, 2010

Filed: January 13, 2010

Proclamation, S. 2, S.N.S. 2008, c. 57

Order in Council 2010-6 dated January 12, 2010

Proclamation made by the Governor in Council

pursuant to Section 2 of

An Act to Amend Chapter 4 of the Acts of 1994-95, the Gaming Control Act

The Governor in Council on the report and recommendation of the Minister responsible for Part II of the *Gaming Control Act* dated December 8, 2009, and pursuant to Section 2 of Chapter 57 of the Acts of 2008, *An Act to Amend Chapter 4 of the Acts of 1994-95, the Gaming Control Act*, is pleased to order and declare by proclamation that Chapter 57 of the Acts of 2008, *An Act to Amend Chapter 4 of the Acts of 1994-95, the Gaming Control Act*, do come into force on and not before January 12, 2010.

PROVINCE OF NOVA SCOTIA

sgd: Elizabeth Roscoe

G/S

ELIZABETH THE SECOND, by the Grace of God,
of the United Kingdom, Canada and Her Other
Realms and Territories, Queen, Head of the
Commonwealth, Defender of the Faith.

TO ALL TO WHOM THESE PRESENTS SHALL COME, OR WHOM THE SAME MAY IN ANY WISE
CONCERN,

GREETING:

A PROCLAMATION

WHEREAS in and by Section 2 of Chapter 57 of the Acts of 2008, *An Act to Amend Chapter 4 of the Acts of 1994-95, the Gaming Control Act*, it is enacted as follows:

- 2 This Act comes into force on such day as the Governor in Council orders and declares by proclamation.

AND WHEREAS it is deemed expedient that Chapter 57 of the Acts of 2008, *An Act to Amend Chapter 4 of the Acts of 1994-95, the Gaming Control Act*, do come into force on and not before January 12, 2010;

NOW KNOW YE THAT WE, by and with the advice of the Executive Council of Nova Scotia, do by this Our Proclamation order and declare that Chapter 57 of the Acts of 2008, *An Act to Amend Chapter 4 of the Acts of 1994-95, the Gaming Control Act*, do come into force on and not before January 12, 2010, of which all persons concerned are to take notice and govern themselves accordingly.

IN TESTIMONY WHEREOF We have caused these
our Letters to be made Patent and the
Great Seal of Nova Scotia to be
hereunto affixed.

WITNESS, Our Trusty and Well Beloved Her Honour
the Honourable Elizabeth A. Roscoe,
Administrator of the Government of the Province
of Nova Scotia.

AT Our Law Courts in the Halifax Regional Municipality, this 12th day of January in the year of Our Lord two thousand and ten and in the fifty-eighth year of Our Reign.

BY COMMAND:

sgd: Romona [Ramona] Jennex
 [Acting] Provincial Secretary
 [Acting] Minister of Justice and Attorney General

N.S. Reg. 7/2010

Made: January 12, 2010

Filed: January 13, 2010

Proclamation, S. 14, S.N.S. 2008, c. 54

Order in Council 2010-7 dated January 12, 2010
 Proclamation made by the Governor in Council
 pursuant to Section 14 of
*An Act to Amend Chapter 1 of the Acts of 1995-96, the Education Act,
 Respecting the Governance of School Boards*

The Governor in Council on the report and recommendation of the Minister of Education dated December 15, 2009, and pursuant to Section 14 of Chapter 54 of the Acts of 2008, *An Act to Amend Chapter 1 of the Acts of 1995-96, the Education Act, Respecting the Governance of School Boards*, and subsection (7) of Section 3 of Chapter 235 of the Revised Statutes, 1989, the *Interpretation Act*, is pleased to order and declare by proclamation that Sections 1 to 6 and 9 to 13 of Chapter 54 of the Acts of 2008, *An Act to Amend Chapter 1 of the Acts of 1995-96, the Education Act, Respecting the Governance of School Boards*, do come into force on and not before January 12, 2010.

PROVINCE OF NOVA SCOTIA

sgd: Elizabeth Roscoe

G/S

ELIZABETH THE SECOND, by the Grace of God,
 of the United Kingdom, Canada and Her Other
 Realms and Territories, Queen, Head of the
 Commonwealth, Defender of the Faith.

TO ALL TO WHOM THESE PRESENTS SHALL COME, OR WHOM THE SAME MAY IN ANY WISE
 CONCERN,

GREETING:

A PROCLAMATION

WHEREAS in and by Section 14 of Chapter 54 of the Acts of 2008, *An Act to Amend Chapter 1 of the Acts of 1995-96, the Education Act, Respecting the Governance of School Boards*, it is enacted as follows:

- 14** This Act comes into force on such day as the Governor in Council orders and declares by proclamation.

AND WHEREAS it is deemed expedient that Sections 1 to 6 and 9 to 13 of Chapter 54 of the Acts of 2008, *An Act to Amend Chapter 1 of the Acts of 1995-96, the Education Act, Respecting the Governance of School Boards*, do come into force on and not before January 12, 2010;

NOW KNOW YE THAT WE, by and with the advice of the Executive Council of Nova Scotia, do by this Our Proclamation order and declare that Sections 1 to 6 and 9 to 13 Chapter 54 of the Acts of 2008, *An Act to Amend Chapter 1 of the Acts of 1995-96, the Education Act, Respecting the Governance of School Boards*, do come into force on and not before January 12, 2010, of which all persons concerned are to take notice and govern themselves accordingly.

IN TESTIMONY WHEREOF We have caused these our Letters to be made Patent and the Great Seal of Nova Scotia to be hereunto affixed.

WITNESS, Our Trusty and Well Beloved Her Honour the Honourable Elizabeth A. Roscoe, Administrator of the Government of the Province of Nova Scotia.

AT Our Law Courts in the Halifax Regional Municipality, this 12th day of January in the year of Our Lord two thousand and ten and in the fifty-eighth year of Our Reign.

BY COMMAND:

sgd: Romona [Ramona] Jennex

[Acting] Provincial Secretary

[Acting] Minister of Justice and Attorney General

N.S. Reg. 8/2010

Made: December 8, 2009 and January 12, 2010

Filed: January 13, 2010

Summary Offence Tickets Regulations

Order in Council 2010-8 dated January 12, 2010

Amendment to regulations made by the Minister of Justice and the Governor in Council pursuant to Section 8 of the *Summary Proceedings Act*

The Governor in Council on the report and recommendation of the Minister of Justice and Attorney General dated December 8, 2009, and pursuant to Section 8 of Chapter 450 of the Revised Statutes of Nova Scotia, 1989, the *Summary Proceedings Act*, is pleased to amend Schedule 4A of the *Summary Offence Tickets Regulations*, N.S. Reg. 4/2001, made by the Governor in Council by Order in Council 2001-21 dated January 18, 2001, to designate offences under the *Weights and Dimensions of Vehicles Regulations* as summary offence ticket offences and set the out-of-court settlement amounts for the offences, in the manner set forth in Schedule "A" attached to and forming part of the report and recommendation, effective on and after January 12, 2010.

Order

I, Ross Landry, Minister of Justice and Attorney General of Nova Scotia, hereby order and direct pursuant to Section 8 of Chapter 450 of the Revised Statutes of Nova Scotia, 1989, the *Summary Proceedings Act*, that the penalty to be entered on a summons in respect of an offence set out in the amendments to Schedule 4A to the *Summary Offence Tickets Regulations*, N.S. Reg. 4/2001, as set forth in Schedule “A”, is the amount of the out-of-court settlement set out in clause 5A(1)(b) of the *Summary Offence Tickets Regulations* that corresponds to the offence category set out opposite the description of the offence in Schedule “A”, and the out-of-court settlement amount includes the charge provided for in, and in accordance with, Sections 8 and 9 of the Act.

This Order is effective on and after the making by the Governor in Council of the amendments to the *Summary Offence Tickets Regulations* set out in Schedule “A”.

Dated and made December 8, 2009, at Halifax, Halifax Regional Municipality, Province of Nova Scotia.

Sgd.: *Ross Landry*
Honourable Ross Landry
Minister of Justice and Attorney General of Nova
Scotia

Schedule “A”

**Amendment to the *Summary Offence Tickets Regulations*
made by the Governor in Council pursuant to Section 8 of Chapter 450
of the Revised Statutes of Nova Scotia, 1989, the *Summary Proceedings Act***

Schedule 4A of the *Summary Offence Tickets Regulations*, N.S. Reg. 4/2001, made by the Governor in Council by Order in Council 2001-21 dated January 18, 2001, is amended by striking out items 1 through 36 immediately after the heading “Weights and Dimensions of Vehicles Regulations (WDVR)” and substituting the following items:

- | | | |
|---|---------|---|
| 1. Operating or causing to be operated vehicle not represented in Schedule A | 3(1) | B |
| 2. Operating or causing to be operated vehicle with lift axle without special permit | 3(4) | B |
| 3. Operating or causing to be operated vehicle with overall width greater than 2.6 m | 4(1)(a) | B |
| 4. Operating or causing to be operated vehicle with mirrors extending more than 300 mm on each side | 4(1)(b) | B |
| 5. Operating or causing to be operated vehicle with auxiliary equipment extending more than 100 mm on each side | 4(1)(c) | B |
| 6. Operating or causing to be operated vehicle with overall height greater than 4.15 m | 4(1)(d) | B |
| 7. Operating or causing to be operated vehicle with overall length greater than 12.5 m | 4(1)(e) | B |
| 8. Operating or causing to be operated vehicle with front overhang greater than 1.0 m | 4(1)(f) | B |

9.	Operating or causing to be operated vehicle with rear overhang greater than 1.0 m without flag	4(1)(g)	B
10.	Operating or causing to be operated vehicle with rear overhang greater than 2.0 m	4(1)(h)	B
11.	Operating or causing to be operated vehicle with spreads, spacings or dimensions not in accordance with Schedule A	4(2)	B
12.	Passenger vehicle with load extending beyond line of fenders on left side or extending more than 150 mm beyond line of fenders on right side	4(4)	B
13.	Propelling or moving implement of husbandry with width exceeding 2.6 m without slow moving vehicle sign, fluorescent flags or flashing lights at extremities and warning light	4(6)	B
14.	Moving implement of husbandry with width exceeding 2.6 m with motor vehicle not equipped with warning light	4(6A)	B
15.	Propelling or moving implement of husbandry with width greater than 4.27 m without being preceded by pilot vehicle equipped with D-sign and warning light mounted on top	4(6B)	B
16.	Operating or causing to be operated vehicle with weight in excess of weight on permit	5(1)(a)	B+
17.	Operating or causing to be operated vehicle with axle weight in excess of manufacturer's gross axle weight rating	5(1)(b)	B+
18.	Operating or causing to be operated vehicle with axle weight in excess of tire load ratings	5(1)(c)(i)	B+
19.	Operating or causing to be operated vehicle with axle weight in excess of 10 kg/mm of tire width	5(1)(c)(ii)	B+
20.	Operating or causing to be operated vehicle with axle weight in excess of 9100 kg for 4 tires	5(1)(c)(iii)(A)	B+
21.	Operating or causing to be operated vehicle with steering axle weight in excess of 9100 kg for 2 tires	5(1)(c)(iii)(B)	B+
22.	Operating or causing to be operated vehicle with non-steering axle weight in excess of 6000 kg for 2 tires	5(1)(c)(iii)(C)	B+
23.	Operating or causing to be operated vehicle with tires greater than 445 mm in width with non-steering axle weight in excess of 7700 kg	5(1)(c)(iii)(D)	B+
24.	Operating or causing to be operated vehicle with weight in excess of maximum axle weight limit in Schedule A	5(1)(d)	B+
25.	Operating or causing to be operated vehicle with adjacent axles in group that vary by more than 1000 kg	5(1)(e)	B+
26.	Operating or causing to be operated vehicle with weight in excess of 4500 kg on axle of assembly that is not an axle group	5(1)(f)	B+
27.	Operating or causing to be operated vehicle with gross vehicle weight in excess of manufacturer's gross vehicle weight rating	5(1)(g)	B+

28.	Operating or causing to be operated vehicle with gross vehicle weight in excess of maximum gross vehicle weight limits in Schedule A for class of highway	5(1)(h)	B+
29.	Moving or causing to be moved object other than motor vehicle with weight in excess of 9100 kg	5(2)	B+
30.	Operating or causing to be operated vehicle with solid tires with weight in excess of allowable weight	5(3)	B+
31.	Operating or causing to be operated vehicle with wheel weight in excess of 55% of weight prescribed for axle	5(4)	B+
32.	Operating out-of-Province vehicle with weight in excess of weight limits in Schedule A	6(6)	B+
33.	Driving or causing to be driven vehicle with weight in excess of maximum weight posted on sign	9(3)	B+
34.	Operating or causing to be operated combination of vehicles with a combined weight in excess of weight on permit for 1 vehicle in the combination	10(1)	B+
35.	Operating or causing to be operated vehicle or combination of vehicles in excess of 1500 kg without permit	10(2)	B+
36.	Operating or causing to be operated vehicle not conforming with special permit	11(9)	B+
37.	Operating or causing to be operated truck or truck tractor with weight in excess of 3000 kg on Trunk 4 between Exits 7 and 11 of Highway 104	13(1)	F
38.	Operating or causing to be operated A-train double on highway other than maximum weight road	14(1)(a)	F
39.	Operating or causing to be operated B-train double on highway other than B-train route or maximum weight road	14(1)(b)	F
40.	Operating or causing to be operated C-train double on highway other than maximum weight road	14(1)(c)	F
41.	Violating any provision of the regulations for which no other penalty is provided (specify)	14(2)	B

N.S. Reg. 9/2010

Made: January 12, 2010

Filed: January 13, 2010

Homes for Special Care Regulations

Order in Council 2010-13 dated January 12, 2010
Amendment to regulations made by the Governor in Council
pursuant to Section 19 of the *Homes for Special Care Act*

The Governor in Council on the report and recommendation of the Minister of Health dated December 10, 2009, and pursuant to Section 19 of Chapter 203 of the Revised Statutes of Nova Scotia, 1989, the *Homes for Special Care Act*, is pleased to amend the *Homes for Special Care Regulations*, N.S. Reg. 127/77, made by the Governor in Council by Order in Council 77-1261 dated October 11, 1977, to allow long-term care facilities to accept medication orders from nurse practitioners, in the manner set forth in Schedule "A" attached to and forming part of the report and recommendation, effective on and after January 12, 2010.

Schedule "A"

**Amendment to the *Homes for Special Care Regulations*
made by the Governor in Council pursuant to Section 19 of Chapter 203
of the Revised Statutes of Nova Scotia, 1989,
the *Homes for Special Care Act***

The *Homes for Special Care Regulations*, N.S. Reg. 127/77, made by the Governor in Council by Order in Council 77-1261 dated October 11, 1977, are amended by repealing Sections 41 and 41A and substituting the following Section:

- 41 (1)** Except as provided in subsections (2) and (3), all orders for medication must be in writing and must be signed by
- (a) a qualified medical practitioner registered under the *Medical Act*; or
 - (b) a nurse practitioner registered under the *Registered Nurses Act*.
- (2)** A verbal order for medication may be accepted under the following circumstances:
- (a) in an emergency, the verbal order is received by a registered nurse from a qualified medical practitioner or a nurse practitioner;
 - (b) the verbal order is received by a person designated by the Administrator under Section 42 from a qualified medical practitioner or a nurse practitioner, and the medication is not required by law to be prescribed by a qualified medical practitioner or nurse practitioner in the circumstances.
- (3)** A verbal order for medication accepted under subsection (2) must be set down in writing and signed by the physician or nurse practitioner who issued the verbal order no later than 72 hours after the verbal order was issued.

N.S. Reg. 10/2010

Made: January 7, 2010

Filed: January 15, 2010

Prescribed Petroleum Products Prices

Order dated January 7, 2010
made by the Nova Scotia Utility and Review Board
pursuant to Section 14 of the *Petroleum Products Pricing Act*

Order**NSUARB-GAS-W-10-02****In the Matter of the *Petroleum Products Pricing Act*****- and -****In the Matter of Prescribing Prices for Petroleum Products
pursuant to Section 14 of the *Petroleum Products Pricing Act* and
Sections 16 to 19 of the *Petroleum Products Pricing Regulations*****Before:** Kulvinder S. Dhillon, P. Eng., Member**Order**

Whereas the purpose of the *Petroleum Products Pricing Regulations* is to ensure just and reasonable prices for specified petroleum products taking into consideration the objectives of preserving the availability of such products in rural areas, stabilizing prices of such products and minimizing the variances in prices of such products across the Province;

And whereas the Nova Scotia Utility and Review (“Board”) considered the manner in which it would proceed to set petroleum prices in its decision, 2006 NSUARB 108, issued on October 16, 2006;

And whereas the average of the average of the daily high and low reported product prices (in Canadian cents) for the week ended January 6, 2010, are:

Grade 1 Regular gasoline	57.6¢ per litre
Ultra-low-sulfur diesel oil	59.3¢ per litre

Now therefore the Board prescribes the benchmark prices for petroleum products to be:

Gasoline:	
Grade 1	57.6¢ per litre
Grade 2	60.6¢ per litre
Grade 3	63.6¢ per litre
Ultra-low-sulfur diesel oil	59.3¢ per litre

And now therefore the Board has determined, based on historical data regarding price changes and to achieve revenue neutrality, it is appropriate to apply, and the Board so orders, forward averaging corrections of:

Gasoline:	plus 0.9¢ per litre
Ultra-low-sulfur diesel oil:	plus 1.1¢ per litre

And whereas a winter blending adjustment of plus 3.9¢ per litre is required for ultra-low-sulfur diesel oil;

And now therefore the Board prescribes the prices for petroleum products as set forth in Schedule “A” effective on and after 12:01 a.m., January 8, 2010.

Dated at Halifax, Nova Scotia, this 7th day of January, 2010.

Sgd: *Elaine Wagner*
Clerk of the Board

Schedule "A"

**Prices Prescribed for Petroleum Products
under the *Petroleum Products Pricing Act* and the
Petroleum Products Pricing Regulations
effective on and after 12:01 a.m. on January 8, 2010**

Nova Scotia Petroleum Price Schedule								
Petroleum Prices in Cents/Litre					Self-Service Pump Prices		Full-Service Pump Prices	
					(Pump Prices includes 13% HST)			
	Base Wholesale Price	Fed. Excise Tax	Prov. Tax	Wholesale Selling Price	Min	Max	Min	Max
Zone 1								
Regular Unleaded	64.8	10.0	15.5	90.3	106.6	108.3	106.6	999.9
Mid-Grade Unleaded	67.8	10.0	15.5	93.3	109.9	111.6	109.9	999.9
Premium Unleaded	70.8	10.0	15.5	96.3	113.3	115.0	113.3	999.9
Ultra-Low-Sulphur Diesel	70.6	4.0	15.4	90.0	106.2	107.9	106.2	999.9
Zone 2								
Regular Unleaded	65.2	10.0	15.5	90.7	107.0	108.7	107.0	999.9
Mid-Grade Unleaded	68.2	10.0	15.5	93.7	110.4	112.1	110.4	999.9
Premium Unleaded	71.2	10.0	15.5	96.7	113.8	115.5	113.8	999.9
Ultra-Low-Sulphur Diesel	71.0	4.0	15.4	90.4	106.7	108.4	106.7	999.9
Zone 3								
Regular Unleaded	65.7	10.0	15.5	91.2	107.6	109.3	107.6	999.9
Mid-Grade Unleaded	68.7	10.0	15.5	94.2	111.0	112.7	111.0	999.9
Premium Unleaded	71.7	10.0	15.5	97.2	114.4	116.1	114.4	999.9
Ultra-Low-Sulphur Diesel	71.5	4.0	15.4	90.9	107.2	108.9	107.2	999.9
Zone 4								
Regular Unleaded	65.7	10.0	15.5	91.2	107.6	109.3	107.6	999.9
Mid-Grade Unleaded	68.7	10.0	15.5	94.2	111.0	112.7	111.0	999.9
Premium Unleaded	71.7	10.0	15.5	97.2	114.4	116.1	114.4	999.9
Ultra-Low-Sulphur Diesel	71.5	4.0	15.4	90.9	107.2	108.9	107.2	999.9
Zone 5								
Regular Unleaded	65.7	10.0	15.5	91.2	107.6	109.3	107.6	999.9
Mid-Grade Unleaded	68.7	10.0	15.5	94.2	111.0	112.7	111.0	999.9
Premium Unleaded	71.7	10.0	15.5	97.2	114.4	116.1	114.4	999.9
Ultra-Low-Sulphur Diesel	71.5	4.0	15.4	90.9	107.2	108.9	107.2	999.9
Zone 6								
Regular Unleaded	66.5	10.0	15.5	92.0	108.5	110.2	108.5	999.9
Mid-Grade Unleaded	69.5	10.0	15.5	95.0	111.9	113.6	111.9	999.9
Premium Unleaded	72.5	10.0	15.5	98.0	115.3	117.0	115.3	999.9
Ultra-Low-Sulphur Diesel	72.3	4.0	15.4	91.7	108.1	109.8	108.1	999.9

N.S. Reg. 11/2010

Made: January 14, 2010

Filed: January 15, 2010

Prescribed Petroleum Products Prices

Order dated January 14, 2010
made by the Nova Scotia Utility and Review Board
pursuant to Section 14 of the *Petroleum Products Pricing Act*

Order**NSUARB-GAS-W-10-03****In the Matter of the *Petroleum Products Pricing Act*****- and -****In the Matter of Prescribing Prices for Petroleum Products
pursuant to Section 14 of the *Petroleum Products Pricing Act* and
Sections 16 to 19 of the *Petroleum Products Pricing Regulations*****Before:** Roberta J. Clarke, Q.C., Member**Order**

Whereas the purpose of the *Petroleum Products Pricing Regulations* is to ensure just and reasonable prices for specified petroleum products taking into consideration the objectives of preserving the availability of such products in rural areas, stabilizing prices of such products and minimizing the variances in prices of such products across the Province;

And whereas the Nova Scotia Utility and Review (“Board”) considered the manner in which it would proceed to set petroleum prices in its decision, 2006 NSUARB 108, issued on October 16, 2006;

And whereas the average of the average of the daily high and low reported product prices (in Canadian cents) for the week ended January 13, 2010, are:

Grade 1 Regular gasoline	57.9¢ per litre
Ultra-low-sulfur diesel oil	58.5¢ per litre

Now therefore the Board prescribes the benchmark prices for petroleum products to be:

Gasoline:	
Grade 1	57.9¢ per litre
Grade 2	60.9¢ per litre
Grade 3	63.9¢ per litre
Ultra-low-sulfur diesel oil	58.5¢ per litre

And now therefore the Board has determined, based on historical data regarding price changes and to achieve revenue neutrality, it is appropriate to apply, and the Board so orders, forward averaging corrections of:

Gasoline:	0.0¢ per litre
Ultra-low-sulfur diesel oil:	0.0¢ per litre

And whereas a winter blending adjustment of plus 3.8¢ per litre is required for ultra-low-sulfur diesel oil;

And now therefore the Board prescribes the prices for petroleum products as set forth in Schedule “A” effective on and after 12:01 a.m., January 15, 2010.

Dated at Halifax, Nova Scotia, this 14th day of January, 2010.

Sgd: *Elaine Wagner*
Clerk of the Board

Schedule "A"

**Prices Prescribed for Petroleum Products
under the *Petroleum Products Pricing Act* and the
Petroleum Products Pricing Regulations
effective on and after 12:01 a.m. on January 15, 2010**

Nova Scotia Petroleum Price Schedule								
Petroleum Prices in Cents/Litre					Self-Service Pump Prices		Full-Service Pump Prices	
(Pump Prices includes 13% HST)								
	Base Wholesale Price	Fed. Excise Tax	Prov. Tax	Wholesale Selling Price	Min	Max	Min	Max
Zone 1								
Regular Unleaded	64.2	10.0	15.5	89.7	105.9	107.6	105.9	999.9
Mid-Grade Unleaded	67.2	10.0	15.5	92.7	109.3	111.0	109.3	999.9
Premium Unleaded	70.2	10.0	15.5	95.7	112.7	114.4	112.7	999.9
Ultra-Low-Sulphur Diesel	68.6	4.0	15.4	88.0	104.0	105.7	104.0	999.9
Zone 2								
Regular Unleaded	64.6	10.0	15.5	90.1	106.3	108.0	106.3	999.9
Mid-Grade Unleaded	67.6	10.0	15.5	93.1	109.7	111.4	109.7	999.9
Premium Unleaded	70.6	10.0	15.5	96.1	113.1	114.8	113.1	999.9
Ultra-Low-Sulphur Diesel	69.0	4.0	15.4	88.4	104.4	106.1	104.4	999.9
Zone 3								
Regular Unleaded	65.1	10.0	15.5	90.6	106.9	108.6	106.9	999.9
Mid-Grade Unleaded	68.1	10.0	15.5	93.6	110.3	112.0	110.3	999.9
Premium Unleaded	71.1	10.0	15.5	96.6	113.7	115.4	113.7	999.9
Ultra-Low-Sulphur Diesel	69.5	4.0	15.4	88.9	105.0	106.7	105.0	999.9
Zone 4								
Regular Unleaded	65.1	10.0	15.5	90.6	106.9	108.6	106.9	999.9
Mid-Grade Unleaded	68.1	10.0	15.5	93.6	110.3	112.0	110.3	999.9
Premium Unleaded	71.1	10.0	15.5	96.6	113.7	115.4	113.7	999.9
Ultra-Low-Sulphur Diesel	69.5	4.0	15.4	88.9	105.0	106.7	105.0	999.9
Zone 5								
Regular Unleaded	65.1	10.0	15.5	90.6	106.9	108.6	106.9	999.9
Mid-Grade Unleaded	68.1	10.0	15.5	93.6	110.3	112.0	110.3	999.9
Premium Unleaded	71.1	10.0	15.5	96.6	113.7	115.4	113.7	999.9
Ultra-Low-Sulphur Diesel	69.5	4.0	15.4	88.9	105.0	106.7	105.0	999.9
Zone 6								
Regular Unleaded	65.9	10.0	15.5	91.4	107.8	109.5	107.8	999.9
Mid-Grade Unleaded	68.9	10.0	15.5	94.4	111.2	112.9	111.2	999.9
Premium Unleaded	71.9	10.0	15.5	97.4	114.6	116.3	114.6	999.9
Ultra-Low-Sulphur Diesel	70.3	4.0	15.4	89.7	105.9	107.6	105.9	999.9

N.S. Reg. 12/2010

Made: January 13, 2010

Filed: January 15, 2010

Ministerial Education Act Regulations

Order dated January 13, 2010
Amendment to regulations made by the Minister of Education
pursuant to Section 145 of the *Education Act*

**In the matter of Section 145 of Chapter 1 of the Acts of 1995-96,
the *Education Act***

- and -

**In the matter of an amendment to the *Ministerial Education Act Regulations*
made by the Minister of Education pursuant to
Section 145 of the *Education Act***

Order

I, Marilyn More, Minister of Education for the Province of Nova Scotia, pursuant to Section 145 of Chapter 1 of the Acts of 1995-96, the *Education Act*, hereby amend the *Ministerial Education Act Regulations*, N.S. Reg. 80/97, made by the Minister of Education and Culture on June 24, 1997, to add provisions respecting school board governance, in the manner set forth in the attached Schedule "A".

Dated and made at Halifax, Nova Scotia, January 13, 2010.

Sgd.: *Marilyn More*
Honourable Marilyn More
Minister of Education

Schedule "A"

**Amendment to the *Ministerial Education Act Regulations*
made by the Minister of Education pursuant to Section 145 of
Chapter 1 of the Acts of 1995-96, the *Education Act***

- 1 The *Ministerial Education Act Regulations*, N.S. Reg. 80/97, made by the Minister of Education and Culture on June 24, 1997, are amended by adding the following Sections immediately after Section 70:

Form of oath of office for school board member

71 The oath of office prescribed for subsection 50(1) of the Act for a school board member is the oath of office set out in Schedule C.

Application of Sections 72 to 75

72 In this Section and in Sections 73 to 75,

"adjudicator" means an adjudicator appointed to hear an appeal from a decision of a school board to censure a member;

"appeal" means an appeal to an adjudicator made under subsection 52A(2) of the Act;

“member” means a member of a school board.

Member’s appeal of censure

- 73** (1) A member making an appeal must deliver a notice of appeal in writing to both the school board and the Minister no later than 20 days after the date of the school board decision to censure.
- (2) On receiving a notice of appeal under subsection (1), the Minister must appoint an adjudicator who is a practising member, in good standing, of the Nova Scotia Barristers’ Society to hear the appeal.
- (3) An adjudicator must be paid any remuneration and reimbursement of expenses the Minister determines.
- (4) During the hearing of an appeal, an adjudicator must give both the school board and the member who has been censured an opportunity to be heard.
- (5) An adjudicator must sign their decision and deliver a copy of the decision and the reasons for decision to all of the following no later than 30 days after the last day of the appeal hearing:
- (a) the member who appealed the censure;
 - (b) the school board;
 - (c) the Minister.

Mandatory content for procedural by-law

- 74** A by-law regulating the proceedings of a school board and providing for the preservation of order at its meetings required by subsection 58(1A) of the Act must contain, at a minimum, the provisions set out in Schedule D under the heading “Mandatory Provisions for Procedural By-law”, or provisions to like effect.

Mandatory content for school board code of ethics

- 75** A school board code of ethics required by ~~subsection~~ [clause] 64(2)(alb) of the Act must contain, at a minimum, the provisions set out in Schedule D under the heading “Mandatory Provisions for Code of Ethics”.

- 2 The regulations are further amended by adding Schedule C and Schedule D immediately after Schedule B in the forms attached.

Schedule C

School Board Member Oath of Office

(subsection 50(1) of the *Education Act*)

I, (full name of member), (swear or affirm)

- that I will be faithful and bear true allegiance to (Her Majesty Queen Elizabeth II or reigning sovereign)
- that I am not disqualified under any law from being a member of the (name of school board), and if I become disqualified during my term of office, I will forthwith notify the secretary of the (name of school board)
- that I will truly, faithfully, impartially and to the best of my ability execute the duties of the office of school board member

- that I have not received, and I will not receive, any payment or reward or promise of payment or reward for the exercise of any partiality or other undue execution of the duties of my office as a school board member
- that I will disclose any pecuniary interest, direct or indirect, as required by and in accordance with the *Municipal Conflict of Interest Act*
- that I will abide by and duly observe the provisions of the code of ethics and the procedural by-law adopted by (name of school board).

Sworn (or affirmed) at _____
 in the County/Regional Municipality of _____
 on _____, 20____,
 before me

 Judge/Justice of the Peace

Schedule D
Mandatory Content for School Board's Procedural By-law and Code of Ethics

Mandatory Provisions for Procedural By-law

Member leaving meeting early

- (1) A school board member must not leave a meeting without doing one of the following:
 - (a) informing the Chair or the Secretary before the meeting begins that they plan to leave early;
 - (b) obtaining permission to leave early from the Chair during the meeting;
 - (c) obtaining a resolution permitting them to leave early from the school board during the meeting.
- (2) A school board member who leaves a meeting early without meeting the requirements of subsection (1) is considered to be absent without reasonable excuse for the entire school board meeting and the absence is deemed to be an absence for the purposes of Section 52 of the *Education Act*.

Quorum

- (3) If a quorum is lost during a meeting, the Chair must direct that the school board stand in recess for 15 minutes, after which the Chair must call the meeting back to order and the Secretary must record the names of any members who fail to return to the meeting without meeting the requirements of subsection (1).
- (4) A school board member who leaves a meeting without meeting the requirements of subsection (1) must not be counted in the number of eligible voters to determine a quorum for the remainder of the meeting.
- (5) If a quorum cannot be established 15 minutes after the school board recesses because of a loss in quorum, the Chair must adjourn the meeting.

Motion to censure a school board member

- (6) A motion to censure a school board member is a main motion that is debatable and amendable and requires a majority 2/3 vote of all members of the school board, but the motion may not be reconsidered.
- (7) A motion to censure a school board member must be debated *in camera* and voted on in public.
- (8) A motion for censure must be in writing and signed by the members who moved and seconded the motion, and must include all of the following:
 - (a) a statement of
 - (i) the alleged violation of the school board's code of ethics,
 - (ii) the specific grounds for the allegation, and
 - (iii) the proposed censure under subsection 52A(1) of the *Education Act*;
 - (b) any supporting documentation.
- (9) To include a motion for censure on the agenda for a regular meeting, a school board member must submit the motion to the Secretary at least 7 days before the date of the meeting.
- (10) The Secretary must deliver the motion forthwith to the school board member who is the subject of the motion for censure.
- (11) A school board member who is the subject of a motion for censure may provide a written response to the notice of motion and the Secretary must distribute the response to the other members of the school board before the regular meeting at which the motion is to be considered.
- (12) A school board member who is the subject of a motion for censure has the right to speak to the motion when the motion for censure is under debate.
- (13) During the debate of a motion to censure, a school board member may bring a motion to extend the time limits of debate that are otherwise prescribed for debates in a procedural by-law, and the motion requires a majority 2/3 vote of all members present.
- (14) The Chair or the Vice-Chair must relinquish the chair to another member of the school board in any of the following circumstances:
 - (a) when the chair or the vice-chair is the subject of a motion for censure;
 - (b) to participate in the debate of a motion for censure;
- (15) A school board member who is the subject of a motion for censure may vote on the motion.
- (16) The presiding member must call a roll call vote for a motion for censure.
- (17) The minutes of a meeting at which a school board member is censured under subsection 52A(1) of the *Education Act* must contain all of the following information:
 - (a) the full name of the school board member being censured;

- (b) the nature of the censure;
- (c) the reasons for the censure.

Mandatory Provisions for Code of Ethics

Code of ethics supplements law

- (1) This Code of Ethics operates along with and as a supplement to existing Provincial statutes governing the conduct of school board members, including all of the following:
 - the *Education Act*,
 - the *Municipal Conflict of Interest Act*,
 - the *Municipal Elections Act*,
 - the *Freedom of Information and Protection of Privacy Act*.
- (2) The *Criminal Code* (Canada) also governs the conduct of school board members.

Treatment of other members

- (3) A school board members must show respect for others in their verbal and non-verbal language and work with fellow board and staff members in a spirit of co-operation, regardless of personal differences of opinion, treating all with courtesy and respect and encouraging the free exchange of diverse views.
- (4) A school board member must not pursue any procedure calculated to embarrass another school board or staff member.

Confidentiality of information

- (5) A school board member must respect the strict confidentiality of any private information acquired by virtue of their office, in either oral or written form, and must not do any of the following except when required by law or authorized by the school board to do so:
 - (a) disclose the information by any means to any person other than another member of the school board;
 - (b) use the information for personal or other gain.
- (6) In subsection (†) [(5)], “private information” includes all of the following:
 - (a) information in the possession of the school board or a school board member that the school board or the school board member is either prohibited from disclosing or is required to refuse to disclose under the *Freedom of Information and Protection of Privacy Act* or other legislation, including personal information and information that is supplied in confidence as those terms are used in the *Freedom of Information and Protection of Privacy Act*, or
 - (b) information relating to the content or the substance of deliberations of any matter that will be discussed or has been discussed at a private meeting held under subsection 59(3) of the *Education Act*, unless the information has been discussed at a meeting that was open to the public or the information has been released to the public.

N.S. Reg. 13/2010

Made: January 14, 2010

Filed: January 19, 2010

Proclamation, S. 16, S.N.S. 2009, c. 14

Order in Council 2010-17 dated January 14, 2010

Proclamation made by the Governor in Council

pursuant to Section 16 of

*An Act to Amend Chapter 155 of the Revised Statutes, 1989, the Executive Council Act,
and Chapter 376 of the Revised Statutes, 1989, the Public Service Act*

The Governor in Council on the report and recommendation of the Deputy President of the Executive Council dated January 12, 2010, and pursuant to Section 16 of Chapter 14 of the Acts of 2009, *An Act to Amend Chapter 155 of the Revised Statutes, 1989, the Executive Council Act, and Chapter 376 of the Revised Statutes, 1989, the Public Service Act*, is pleased to order and declare by proclamation that Chapter 14 of the Acts of 2009, *An Act to Amend Chapter 155 of the Revised Statutes, 1989, the Executive Council Act, and Chapter 376 of the Revised Statutes, 1989, the Public Service Act*, do come into force on and not before January 14, 2010.

PROVINCE OF NOVA SCOTIA

sgd: Elizabeth Roscoe

G/S

ELIZABETH THE SECOND, by the Grace of God,
of the United Kingdom, Canada and Her Other
Realms and Territories, Queen, Head of the
Commonwealth, Defender of the Faith.

TO ALL TO WHOM THESE PRESENTS SHALL COME, OR WHOM THE SAME MAY IN ANY WISE
CONCERN,

GREETING:

A PROCLAMATION

WHEREAS in and by Section 16 of Chapter 14 of the Acts of 2009, *An Act to Amend Chapter 155 of the Revised Statutes, 1989, the Executive Council Act, and Chapter 376 of the Revised Statutes, 1989, the Public Service Act*, it is enacted as follows:

- 16** This Act comes into force on such day as the Governor in Council orders and declares by proclamation.

AND WHEREAS it is deemed expedient that Chapter 14 of the Acts of 2009, *An Act to Amend Chapter 155 of the Revised Statutes, 1989, the Executive Council Act, and Chapter 376 of the Revised Statutes, 1989, the Public Service Act*, do come into force on and not before January 14, 2010;

NOW KNOW YE THAT WE, by and with the advice of the Executive Council of Nova Scotia, do by this Our Proclamation order and declare that Chapter 14 of the Acts of 2009, *An Act to Amend Chapter 155 of the Revised Statutes, 1989, the Executive Council Act, and Chapter 376 of the Revised Statutes, 1989, the Public Service Act*, do come into force on and not before January 14, 2010, of which all persons concerned are to take notice and govern themselves accordingly.

IN TESTIMONY WHEREOF We have caused these
our Letters to be made Patent and the
Great Seal of Nova Scotia to be
hereunto affixed.

WITNESS, Our Trusty and Well Beloved Her Honour
the Honourable Elizabeth A. Roscoe,
Administrator of the Government of the Province
of Nova Scotia.

AT Our Law Courts in the Halifax Regional
Municipality, this 14th day of January in the year
of Our Lord two thousand and ten and in the
fifty-eighth year of Our Reign.

BY COMMAND:

sgd: Ross Landry
Provincial Secretary
Minister of Justice and Attorney General

N.S. Reg. 14/2010

Made: November 17, 2009

Approved: January 14, 2010

Filed: January 19, 2010

Bulk Haulage Regulations

Order dated January 14, 2010
Amendment to regulations made by the Dairy Farmers of Nova Scotia
and approved by the Natural Products Marketing Council
pursuant to clause 15(1)(b) of the *Dairy Industry Act*

Dairy Farmers of Nova Scotia

The Dairy Farmers of Nova Scotia, pursuant to clause 15(1)(b) of Chapter 24 of the Acts of 2000, the *Dairy Industry Act*, at a meeting held on November 17, 2009, amended the *Bulk Haulage Regulations* in the manner set out attached to this certificate as Schedule "A", effective on and after February 1, 2010.

Dated and signed at Truro, Nova Scotia January 14, 2010.

Sgd.: *Brian Cameron*
Brian Cameron
General Manager
Dairy Farmers of Nova Scotia

Approved by the Natural Products Marketing Council at Truro, Nova Scotia, January 14, 2010.

Sgd.: *E. A. Crouse*
Elizabeth A. Crouse
Acting General Manager
Natural Products Marketing Council

Schedule "A"

**Amendments to the *Bulk Haulage Regulations*
made by the Dairy Farmers of Nova Scotia
pursuant to clause 15(1)(b) of Chapter 24 of the Acts of 2000,
the *Dairy Industry Act***

Clause 7(a) of the *Bulk Haulage Regulations*[, N.S. Reg. 23/2003,] made by the Dairy Farmers of Nova Scotia and approved by the Natural Products Marketing Council on August 13, 2002, is amended by

- (a) striking out "\$2.250" directly opposite "Farmers Co-operative Dairy Limited" and substituting "\$2.280";
- (b) striking out "\$3.200" directly opposite "Scotsburn Co-operative Services Limited" and substituting "\$3.220";
- (c) striking out "\$1.540" directly opposite "Fisher Transport Limited" and substituting "\$1.590";
- (d) striking out "\$2.520" directly opposite "Winterthur Farm—Rudolph Burghardt" and substituting "\$2.530";
- (e) striking out "1.740" directly opposite "Cook's Dairy Farm Limited" and substituting "\$1.750".